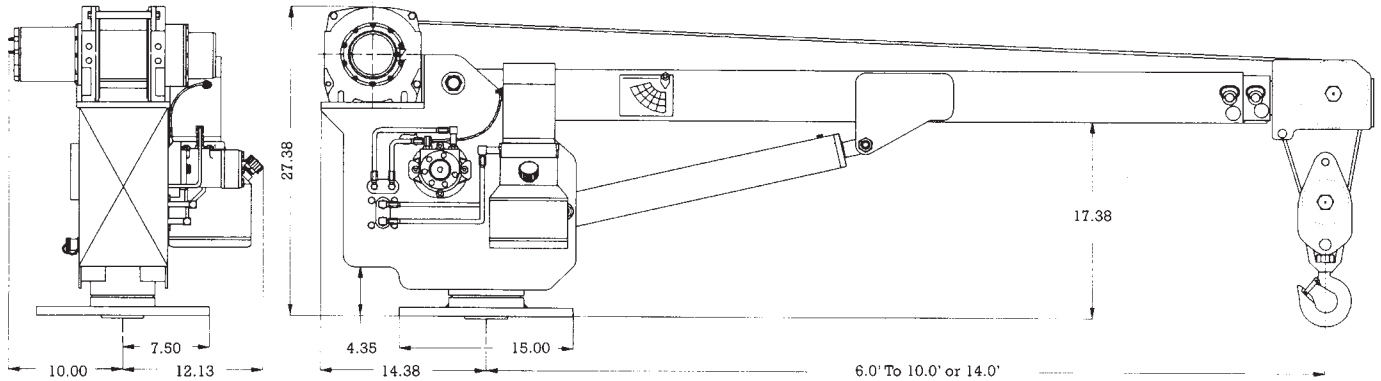


# 2700A SPECIFICATIONS



Model 2700AR Shown

## Moment Rating:

8100 Ft.-Lbs.

## Lift Capacities:

2700 Lbs. @ 3 Ft.\*

1350 Lbs. @ 6 Ft.

810 Lbs. @ 10 Ft.

578 Lbs. @ 14 Ft.

\* Use double winch line above 1600 lbs.

## Boom:

Standard boom length is 6 Ft manually telescoping to 10 Ft. An optional boom length is offered with the standard 6 to 10 Ft. section and an additional pullout section reaching from 10 to 14 Ft. An intermediate position is provided in each section.

2700A: Boom is elevated by single acting hydraulic cylinder. Boom is lowered by gravity. Cylinder includes a velocity fuse for safety in event of hose failure.

2700AR: Boom is raised by a double acting cylinder with counterbalance valve for safety.

## Winch:

Efficient planetary gear drive powered by a 12 Volt D.C. 1.8 HP permanent magnet motor. Winch is controlled by a 12 Volt D.C. contactor controlling hoist up and down. Winch drum to wire rope ratio meets ANSI requirements.

### Winch Performance (First Layer)

Load (Pounds)	Hook Speed (Ft. Per Minute)	Electrical Load (AMPS)
1,000	14.5	75
2,000*	7.1	80
2,700*	6.8	100

\* Use double winch line above 1600 lbs.

## Winch Wire Rope:

Supplied with 1/4" Galvanized Aircraft Cable 62 Ft. long. Breaking strength of cable is 7,000 Lbs.

## Power Cable:

25 Ft. battery power cable with quick disconnect plug, master power off switch, 150 Amp circuit breaker, and battery ground wire is included.

## Rotation:

Rotation is 360 degree continuous without limit. Crane rotates on tapered roller bearings for smooth, long lasting operation.

2700A: Manual rotation with band brake to help control swing.

2700AR: Power rotation driven by a low speed, high torque hydraulic motor driving a 36:1 ratio worm gearset.

## Remote Pendant:

All powered functions are controlled by a remote pendant control that is 3 Ft. longer than the maximum boom length. The pendant control is removable from the crane.

## Hydraulic System:

A 12 Volt electric hydraulic pump powers boom elevation on the 2700A and powers boom elevation and crane rotation on the 2700AR.

## Load Sensor:

A load sensor switch is mounted on the base end of the elevation cylinder. The switch will shut down winch up and boom down when the cylinder pressure indicates an overload condition. Boom up is limited by the pressure relief setting in the pump.

## Mounting:

Four 1/2" Grade 8 bolts and nuts are supplied. Crane mounts on a 15" square base plate with 12" square bolt pattern.

## Optional Accessories:

38030 Manual pull out, crank down Outrigger

30328 Jack Stand, Over Centering

30330 Drum Tongs

30681 Pedestal for Pickup Truck Bed

30682 Pedestal for Flat Bed Mount

33099 Boom Rest

## Weights:

2700A-10: 525 Lbs.

2700AR-10: 630 Lbs.

**LIFTMOORE, INC.**

**11505 Todd**

**Houston, Texas 77055**

**FAX (800) 824-5559 (USA & Canada)**

**FAX (713) 688-6324**

**(713) 688-5533**