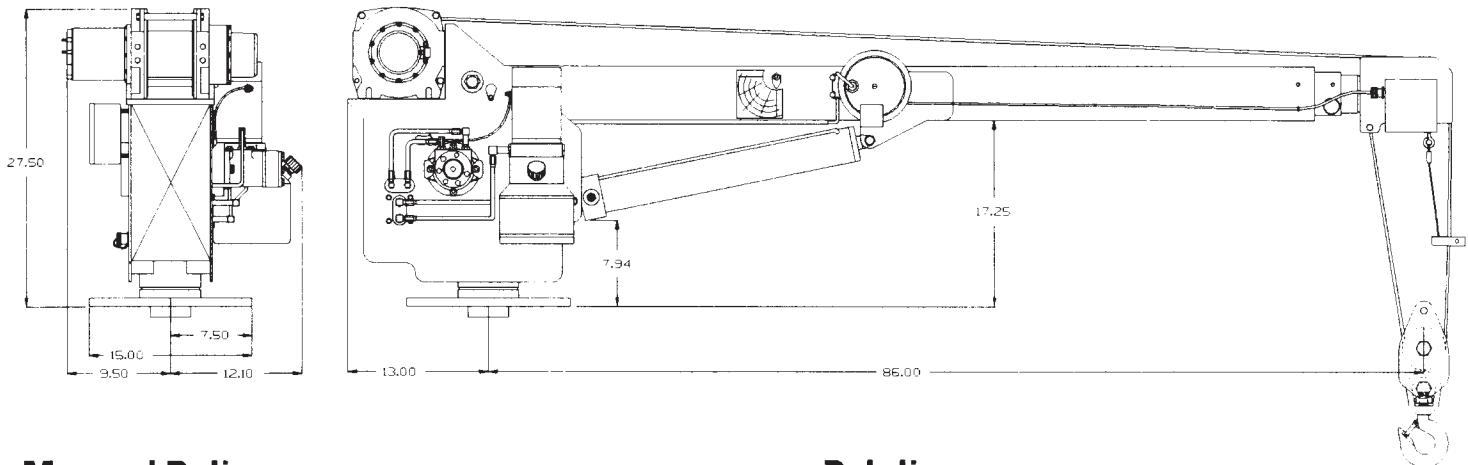


3200 SPECIFICATIONS



Moment Rating:

10,000 ft.-lbs.

Lift Capacities:

*3200 lbs. @ 3 ft.	909 lbs. @ 11 ft.
*2500 lbs. @ 4 ft.	769 lbs. @ 13 ft.
1428 lbs. @ 7 ft.	666 lbs. @ 15 ft.
1111 lbs. @ 9 ft.	

* Use the traveling block provided and double line hookup for loads greater than 1600 lbs.

Boom:

Standard length 7' to 11' (manual or powered).
Optional length 7' to 11' (manual or powered with 11' to 15' manual extension. Angle varies from -5° to +75°.

Winch:

Efficient planetary gear drive powered by 12 volt D.C. permanent magnetic motor. Winch is controlled by 12 Volt D.C. Electric Contactor controlling hoist up and down operation. Winch drum to wire rope ratio meets ANSI requirements.

Winch Performance (First Layer)

Load (Pounds)	Hook Speed (Ft. per Minute)	Electrical Load (AMPS)
1,000	14.5	75
2,000*	7.1	80
3,200*	6.5	110

*Double line hookup

Winch Cable:

¼" Galvanized aircraft cable 62 ft. long is supplied with traveling block for double line operation. Breaking strength of cable is 7,000 lbs.

Power Cable:

Supplied with the crane is a 25 Ft. battery power cable with quick disconnects, a ground wire, a 150 Amp circuit breaker for mounting near the battery and a master cutoff switch to be mounted near the crane.

Rotation:

MANUAL: 3200EL is manual rotation with band brake to control swing.

POWERED: 3200REL and 3200REE are rotated by a worm gearset driven by a low speed, high torque hydraulic motor. Rotation is 360° continuous for all models. Both model cranes rotate on tapered roller bearings.

Hydraulic System:

A 12 volt D.C. electric driven hydraulic pump supplies 1.3 GPM @ 500 PSI. Control of cylinders and motor is by 4-way solenoid valves. Counter-balance valves are integrally mounted in the elevation and extension cylinders.

Remote Pendant:

All powered functions are controlled by a remote pendant control that is 3 ft. longer than the maximum boom length. The control is removable to prevent unauthorized use.

Anti Two-Block:

The 3200REE includes an anti two-block feature that prevents extending the boom against the traveling block and breaking the wire rope.

Mounting:

Four ½" Grade 8 bolts are supplied. Crane mounts on a 15" square base plate with 12" square bolt pattern.

Optional Accessories:

- 30328 Jack Stand, over centering
- 38030 Manual pull out, crank down Outrigger
- 30330 Drum Tongs
- 30681 Pedestal for Pickup Bed
- 30682 Pedestal for Flat Bed
- 33097 Load Sensor
- 33099 Boom Rest

Weights:

Actual 3200 REE-15 650 lbs.
Actual 3200 REL-15 585 lbs.



LIFTMOORE, INC.
11505 Todd
Houston, Texas 77055
FAX (800) 824-5559 (USA & Canada)
FAX (713) 688-6324
(713) 688-5533