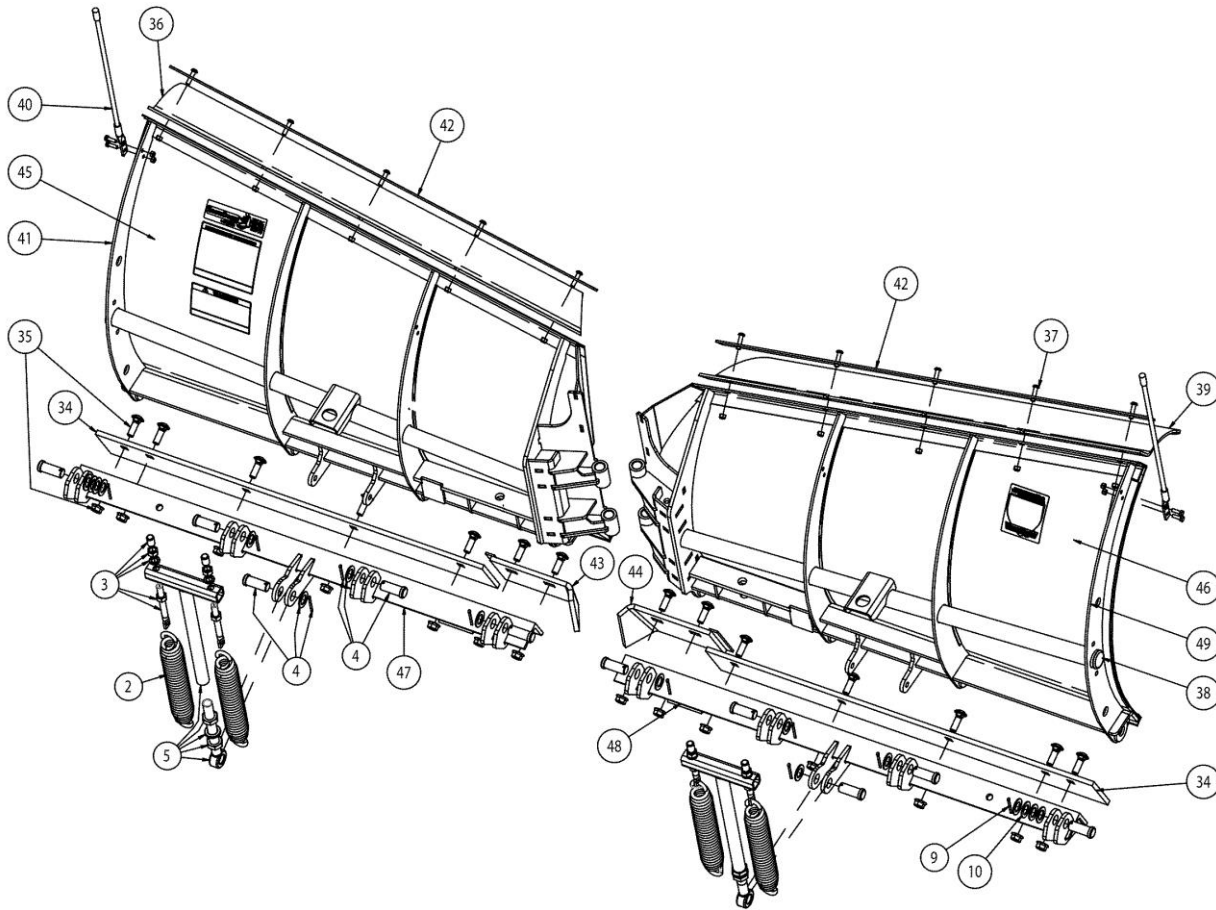
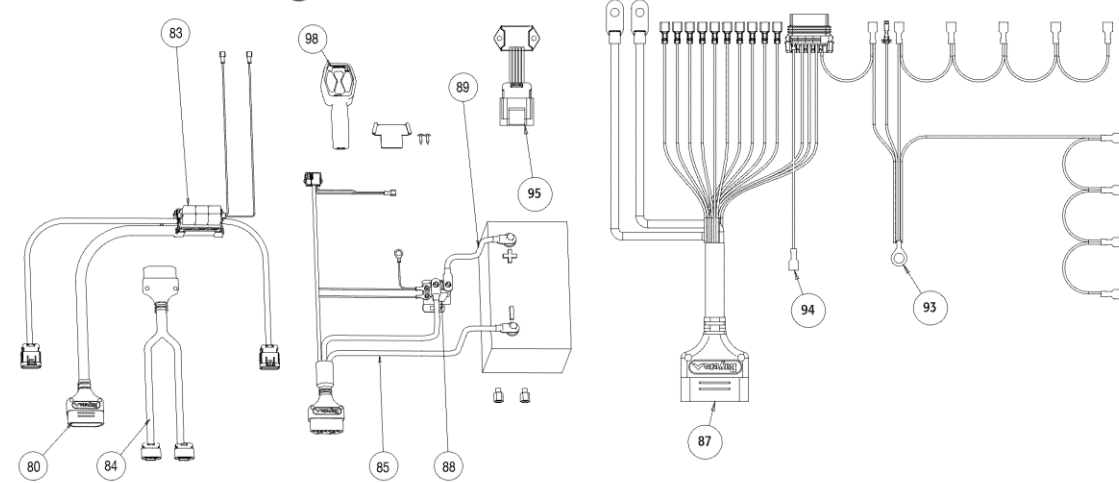
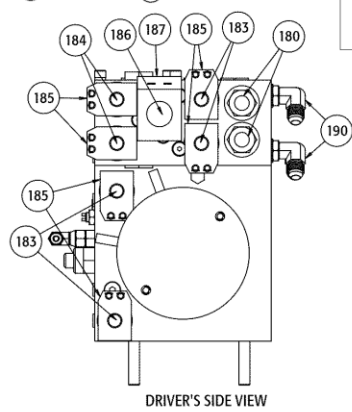
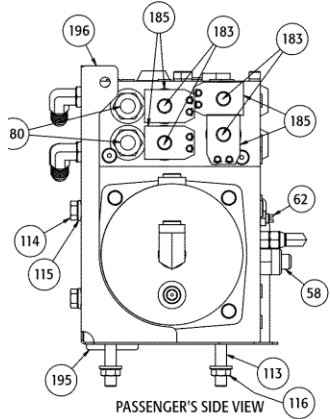
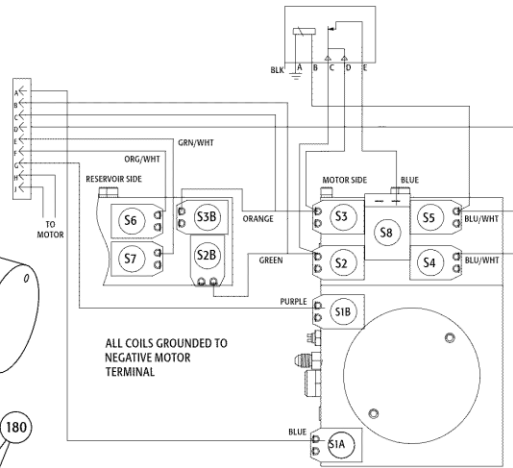
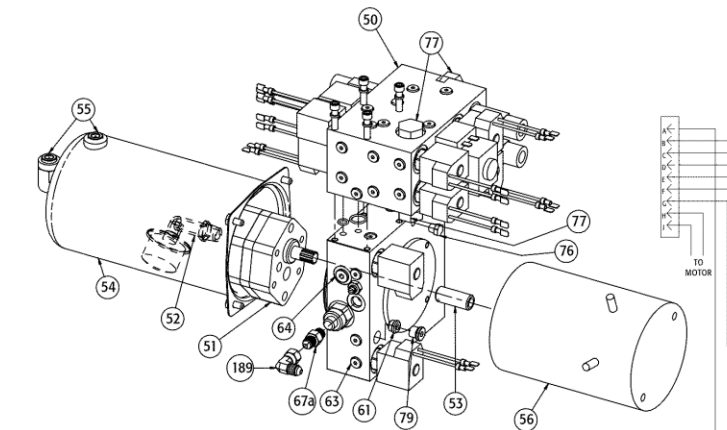


Ref	Part No.	Description	Qty	Ref	Part No.	Description	Qty
	16013000	VXF Lift Frame					
	16111312	Jack Cap	1				
1	16101170	Hinge Pin Kit, VXF/VMD	1				
7	16113260	Hinge Cover Kit, VXF	1				
8	16102100	Clevis Pin Kit, 1 x 4	2				
9	16102102	Cotter Pin, 3/16 x 2	4				
10	16102104	Washer, 1in	2				
11	16102122	Clevis Pin Kit, 7/8 x 4	2				
12	16102142	Clevis Pin Kit, 7/8 x 3-1/4	2				
14	16103000	Chain, 5/16 Grade 43, 24 Links	2				
15	16103020	U-bolt Kit	2				
16a	16111612	Lower Lift Frame Weldment	1				
16a	16110100	Lower Lift Frame Assy	1				
16b	16111620	Upper Lift Frame	1				
24	16113200	A-Frame, VXF	1				
25	16113210	Angle Stop Kit	2				
26	16111210	Prop Stand Assy	1				
27	16111212	Bolt, Hex Head 5/8-11 x 3.00	1				
28	16111214	Nut, Jam, 5/8-11	1				
29	16111124	Snapper Pin, 2-1/2in	1				
30	16111400	Chain Lift Assy	1				
30	16111402	Chain Lift Cover w/Hdw	1				
30	16111406	Chain Lift Cover Hardware Kit	1				
32a	16111124	Snapper Pin, 2-1/2in	2				
33	16111510	Light Bracket w/Hdw	2				
67a	16151325	Connector, -4 SAEM/JICM	1				
72	16153100	Hose, 1/4 x 18, -4 JIC	1				
73	16153110	Hose, 3/8 x 38, -6 JIC	2				
74	16154300	Cylinder, 1-1/2 x 1-3/4 x 12	2				
74	16154302	Seal Kit, 16154300	2				
75	16154206	Cylinder Gland Nut, 2in Polypak	1				
75	16154204	Cylinder Gland Nut, 2in V-Pack	1				
75	16154202	Cylinder Packing 2in V-Pack	1				
75	16154200	Cylinder, 2 x 6 Polypak	1				
87	16160404	Small Spring Cage	7				
87	16160512	Grill Connector Cap	1				
87	16160402	Large Spring Cage Kit (2)	1				
87	16161400	Plow Harness	1				
97	16160742	Low Beam Bulb, H7	2				
97	16160730	Light Hardware Kit (1 light)	2				
97	16160744	Park/Turn Bulb, Amber	2				
97	16160740	High Beam Bulb, H1	2				
97	16160734	Light Harness, Internal	2				
97	16160732	Light Housing Gasket	2				
97	16160700	Light Kit (pair)	1				
97	16160722	PS Light Housing	1				
97	16160720	PS Light Assy	1				
97	16160712	DS Light Housing	1				
97	16160710	DS Light Assy	1				
99	16153120	Hose, 3/8 x 48, -6 JIC	2				
104	16101004	Screw, Hex Head, 3/8-16 x 2.00	1				
105	16101006	Nut, Nylock, 3/8-16 SST	1				
110	16111512	Light Bracket Hardware Kit	1				
111	16101014	Upper/Lower Lift Frame Hardware Kit	1				
113	16111518	Light Bar	1				
190	16152346	Elbow, -6 SAEM/JICM	1				
191	16152120	HPU Top Cover, V/XP	1				
192	16152122	HPU Front Cover, V	1				
193	16152124	HPU PS Front Cover, V/XP	1				
194	16152126	Thumb Screw	3				





Ref	Part No.	Description	Qty	Ref	Part No.	Description	Qty
	16020732	VXF95 Moldboard					
	16020722	VXF85 Moldboard					
ACC	16121700	Shoe Assy Only	2				
ACC	16121704	Shoe Bracket	2				
ACC	16021750	Shoe Kit, VX/VMD					
ACC	16021712	Wing Kit, VXF					
ACC	16120180	Deflector Kit, VXF, Rubber w/Center Cover					
ACC	16021710	Wing Kit, VX					
N/S	16111310	Jack, Side Wind	1				
N/S	16111120	Snapper Pin					
2	16101200	Trip Spring	4				
3	16101210	Spring Mount Eye Bolt Kit (x4)	1				
4	16102144	Clevis Pin Kit, 1 x 2-3/8	10				
5	16120190	Trip Spring T-Bar Kit	2				
9	16102102	Cotter Pin, 3/16 x 2					
10	16102104	Washer, 1in					
34	16120820	Cutting Edge, 40 x 1/2, VX/VXF85	2				
34	16120830	Cutting Edge, 46 x 1/2, VX/VXF95	2				
35	16120114	Cutting Edge Hdw Kit, 5/8-11, 14 pcs	1				
37	16120110	Moldboard Skin Hardware Kit	1				
38	16120120	Crosstube Cap	2				
39	16120171	Deflector, VXF85, Rubber	2				
39	16120172	Deflector, PS, VXF85, Poly	1				
39	16120173	Deflector, VXF95, Rubber	2				
39	16120170	Deflector, DS, VXF85, Poly	1				
39	16120176	Deflector, DS, VXF95, Poly	1				
39	16120178	Deflector, PS, VXF95, Poly	1				
40	16122100	Blade Guide Kit	1				
41	16122200	Moldboard Frame, DS, VX85	1				
41	16122203	Moldboard Frame, DS, VXF95	1				
41	16122201	Moldboard Frame, DS, VXF85	1				
42	16120270	Clamp Strip, VXF85	2				
42	16120272	Clamp Strip, VXF95	2				
43	16120840	Center Cutting Edge, DS	1				
44	16120850	Center Cutting Edge, PS	1				
45	16121721	Skin, DS, VXF85, SST	1				
45	16121730	Skin, DS, VX95, SST	1				
45	16121720	Skin, DS, VX85, SST	1				
45	16121731	Skin, DS, VXF95, SST	1				
46	16121722	Skin, PS, VX85, SST	1				
46	16121723	Skin, PS, VXF85, SST	1				
46	16121732	Skin, PS, VX95, SST	1				
46	16121733	Skin, PS, VXF95, SST	1				
47	16122230	Trip Angle, DS, VXF85	1				
47	16122240	Trip Angle, DS, VXF95	1				
48	16122242	Trip Angle, PS, VXF95	1				
48	16122232	Trip Angle, PS, VXF85	1				
49	16122202	Moldboard Frame, PS, VX85	1				
49	16122211	Moldboard Frame, PS, VXF85	1				
49	16122212	Moldboard Frame, PS, VX95	1				
49	16122213	Moldboard Frame, PS, VXF95	1				



Ref	Part No.	Description	Qty	Ref	Part No.	Description	Qty
	16152000	HPU, HV700	1	186	16152340	Solenoid Valve, 2-way, Normally Closed Bidirectional	1
ACC	16150010	Hydraulic Fluid, Low Temp, 1 CASE (12 QTS)		187	16152342	Coil, 10 size, Dual Spade	1
50	16152040	Top Block Assembly, VMD/VXF	1	189	16151321	Elbow, -4 JICM/JIC Swivel	1
50	16152042	Top Block, No Valves, VMD/VXF	1	190	16152346	Elbow, -6 SAEM/JICM	1
50	16152104	Top Block O-ring/Fastener Kit	1	195	16152128	Cable Grommet	1
51	16151100	Gear Pump	1	196	16152130	Tray	1
51	16159116	Shaft Seal	1				
52	16151102	Inlet Strainer w/Elbow	1				
53	16152004	Spline Coupler	1				
54	16151110	Reservoir Kit	1				
54	16151114	Reservoir Fastener Kit (4 Cap Screws; 8 Flat Washers)	1				
54	16159114	Reservoir Seal Kit	1				
55	16151112	Plug, 3/8 NPT	2				
55	16151116	Relief Plug	1				
56	16151200	Motor, 2HP	1				
58	16151302	Main Relief Valve	1				
61	16900010	Lift Check Removal Tool					
61	16151308	Lift Check Valve	1				
62	16151310	Lowering Speed Valve	1				
67a	16151325	Connector, -4 SAEM/JICM	1				
76	16151326	Vent	1				
77	16152330	Check Valve	4				
79	16152332	Plug, 1/4 BSPP	1				
80	16160510	Grill Connector Plug	1				
80	16160404	Small Spring Cage	10				
80	16160116	Relay Module Mounting Plate	1				
80	16160112	Repair End, 8 Pin, 16160100	2				
80	16160100	Truckside Light Harness w/Relay Module	1				
80	16160110	Repair End, Grill, 16160100	1				
83	16160114	Headlight Module Relay	6				
84	16160512	Grill Connector Cap	1				
84	16160200	Plowside Light Harness	1				
85	16160300	Truckside Control Harness	1				
85	16160310	Repair End, 16160300	1				
88	16160410	Motor Relay	1				
89	16160500	Battery Cable	1				
93	16161420	Ground Harness, 16161400B	1				
94	16161430	S8 Harness, 16161400B	1				
95	16160448	Relay Module	1				
98	16161640	Circuit Board, 16161600	1				
98	16161600	Controller, V	1				
98	16160650	Coil Cable, Controller	1				
98	16160630	Keypad, Rubber	1				
98	16160610	Controller Extension Harness, 36in	1				
98	16160620	Controller Mount Kit	1				
113	16101016	Stud, 3/8-16	2				
114	16101017	Screw, Hex Head, 3/8-16 x 3/4	2				
115	16101018	Washer, Lock, 3/8	2				
116	16101019	Nut, Serrated Flange, 3/8-16	2				
180	16152334	Angle Relief Valve, 3000 PSI	4				
183	16151312	Solenoid Valve, 2-way, Normally Closed	8				
183	16159102	Seal Kit, 16151312/16151330	8				
183	16159103	Screen, 16151312	8				
184	16159102	Seal Kit, 16151312/16151330	2				
184	16151330	Solenoid Valve, 2-way, Normally Open	2				
185	16152336	Coil, 8 size, Flying Leads	10				
186	16159109	Seal Kit, 16152340	1				