



ADRIAN STEEL®

Cargo Management Solutions for Commercial Vehicles



PROMASTER & PROMASTER CITY PRODUCT CATALOG

TIME IS MONEY! GET ON THE ROAD WITH EVERYTHING YOU NEED!

Adrian Steel has the storage products you need, with a nationwide distributor network for professional installation. This catalog will help you set up your work van with the equipment you need to get the job done. Start with a partition to keep your cargo in the cargo area. Choose the shelving and modules for the curb and street side that fit your business needs. Or, choose a pre-designed trade package to start from. Add the accessories you need to make your van more organized. Carry ladders or cargo on your roof? Check out the variety of ladder and utility racks available. The options are many, so if you don't know where to start contact your local Adrian Steel distributor for the expert advice you are looking for.

**\$500 or \$1000
ON THE JOB ALLOWANCE*
ON PROMASTER**

**\$500
ON THE JOB ALLOWANCE*
ON PROMASTER CITY**

MAKE YOUR RAM CARGO VAN WORK READY WITH THE RAM ON THE JOB INCENTIVE PROGRAM.

Get The Ultimate In Flexibility When You Take Upfit Cash And Apply It Towards Any Adrian Steel Upfit.

WHAT ON THE JOB?

RAM ON THE JOB is an incentive program designed specifically for business owners who use vehicles in the day-to-day operation of their business. This incentive is available through your local RAM dealership. Please see dealership for eligibility requirements.

SAVE TIME!

Don't go searching around town for product you need for your RAM Cargo Van. Adrian Steel has a comprehensive line of cargo management solutions to get your van upfitted for your trade! You can leave the dealership with a cargo van that is ready to go to work!

COMMERCIAL EXPERTS!

Your RAM Dealership and Adrian Steel Distributor can guide you through the upfit process. Utilize their product expertise to get a complete, turn-key work vehicle.

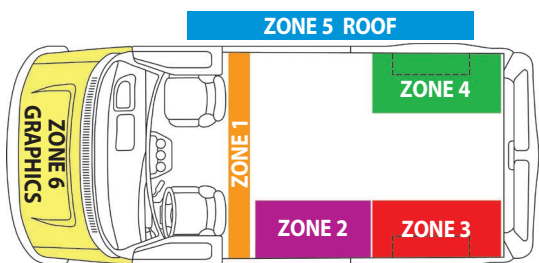
PRODUCT FLEXIBILITY!

Create a work ready van, designed by you, for your specific cargo carrying needs! Organize the interior of your van to suit your trade with Adrian Steel's modular product line. Start with the essentials: a partition, shelving and a roof rack. Then get trade specific by adding drawer units, door kits, hook bars, floor drawers and more!

PROGRAM TIMEFRAME & DETAILS*

The RAM ON THE JOB COMMERCIAL VEHICLE PROGRAM runs through January 2, 2020. Program is not available in all areas and may not be compatible with other offers or incentive programs. Consult your RAM dealer for complete program details. For more information, please contact your local Adrian Steel Distributor.

* Program subject to change without notice.



ZONE 1 PARTITION

- Choose partition style: solid or perforated for the ProMaster. Do you want a hinged door?
- Choose between a steel or wire partition for the ProMaster City.

ZONES 2, 3, 4 CURBSIDE & STREETSIDE

- Use layout diagrams to determine the amount of space available.
- Choose from a variety of shelving units and modules that will best organize the tools and equipment you need to carry.
- Or, choose a Work Ready Upfit, complete with a trade specific, pre-designed interior and custom graphics package.

ZONE 5 ROOF

- What do you need to carry?
- Choose from LoadsRite, Grip-Lock, and Utility racks.
- Add rack accessories including step ladder kits, ratchet straps, conduit carriers and more.

ZONE 6 VEHICLE GRAPHICS

- Stand out in the crowd!
- Vehicle graphics are the most cost effective form of advertising!

ADDITIONAL STORAGE

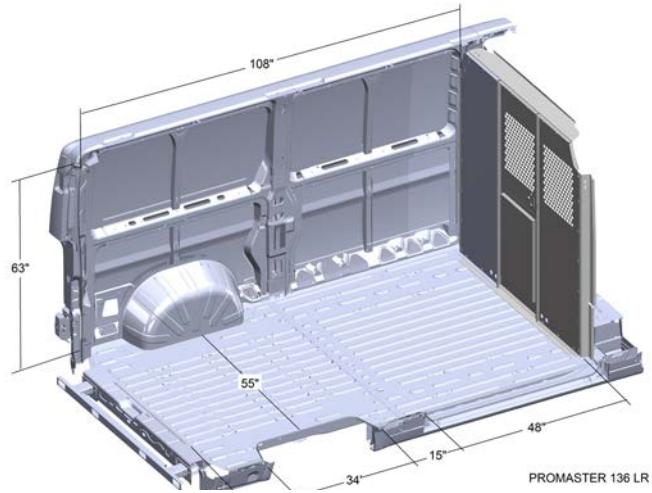
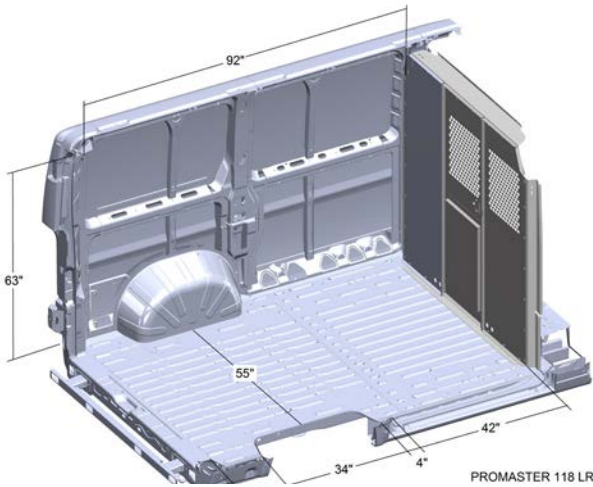
- Determine the space needed for specialty equipment.
- Add accessories to shelving and partition
- Hooks, drawers, files, screens, and more.

Need some help?
Contact your local distributor!
They can provide a wealth of information about utilizing the cargo space in your work van.
Find your local distributor online at adriansteel.com.

ProMaster & ProMaster City

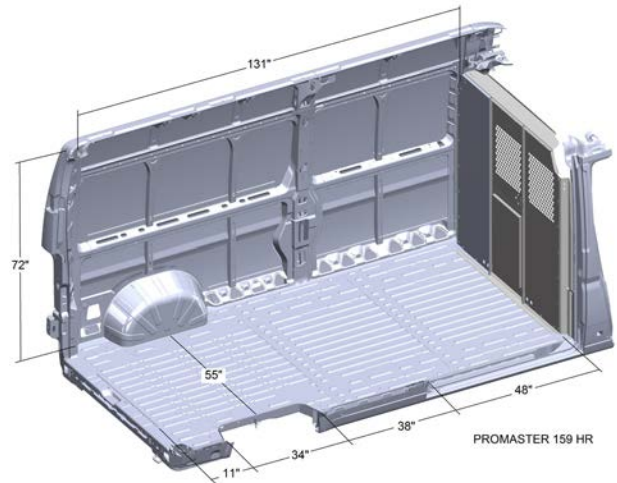
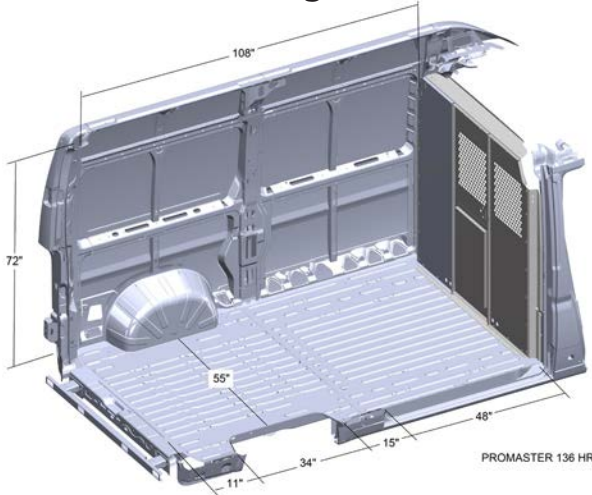
ProMaster Low Roof 118"WB

ProMaster Low Roof 136"WB



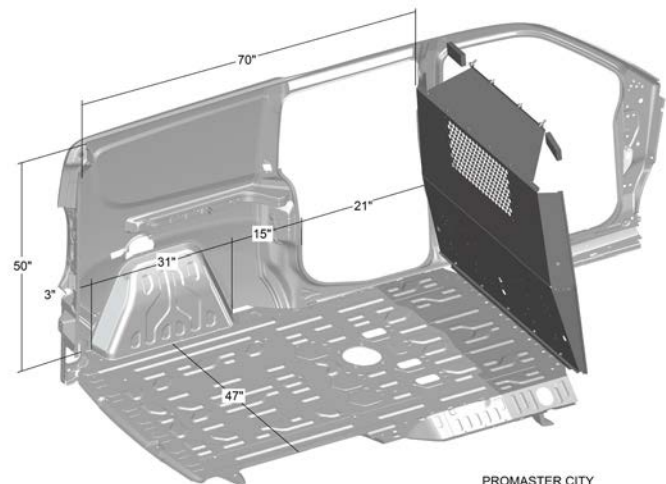
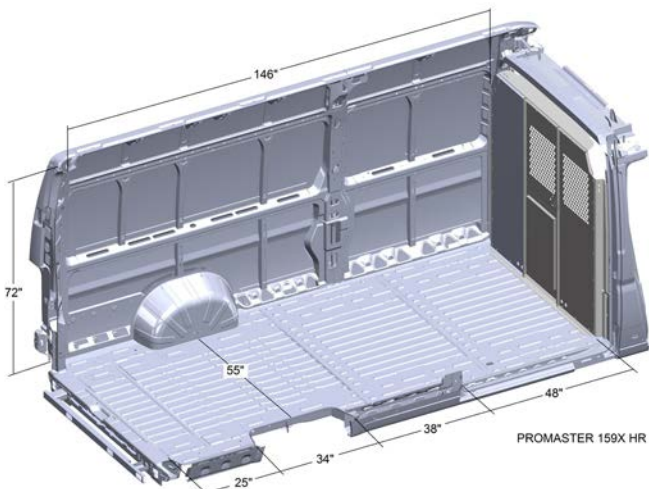
ProMaster High Roof 136"WB

ProMaster High Roof 159"WB



ProMaster High Roof 159" Extended WB

PROMASTER CITY



Note: Dimensions for reference only. Measure your van or contact your distributor for your exact needs.

All illustrations, photos and specifications in this publication are based on the latest product information available at the time of content approval.

The right is reserved to make changes at any time, without notice, in materials, specifications and models, and also to discontinue models.

ADRIAN STEEL PARTITIONS KEEP CARGO WHERE IT BELONGS, IN THE CARGO AREA! ProMaster



S-M-C Series Partitions

Choose from solid or perforated top panels made from 18-gauge steel for strength and finished in a tough powder coat paint. Center M panels can be fixed or hinged with a key-locking door. Partitions are sold as panel kits and wing kits. Please see application chart to confirm the appropriate panel kit and wing kit for your vehicle. Optional extended wing kits offer 3" of additional space in the cab area to allow for more seat adjustability.

Note: Extended wing kits reduce the amount of cargo space. Please confirm the interior layout of the van package to confirm that the extended wing kit has adequate room needed for installation.

S1 SOLID PANEL

Panels mount behind driver seat.

M1 SOLID PANEL

M2 PERFORATED TOP PANEL

Fixed center panels can be hinged as key-locking doors

C1 SOLID PANEL

Panels mount behind passenger seat

CENTER CONSOLE DESK



- Designed to mount between the front seats.
- Rugged steel construction with a hinged worktop and key locking paddle handle.
- Convenient lid mounted clip holds papers in place on the writing surface.
- Measures 10.3" x 22.4" x 20.4".

CCD10 Center Console

CCDLTH Center Console Laptop Holder

CCDHF10 Center Console Hanging File

TECH DESK CONSOLE - TDC10



- Designed to mount between the front seats.
- 2 USB Ports.
- Non-Slip lid tray to keep items from falling off during transit.
- Internal Organization.
- Lockable Lid.
- Interior LED lights.

PROMASTER PARTITION OPTIONS:

Fixed Center Panel

- S1M1C1PM** All Solid Panels
- S1M2C2PM** Perforated Center and Curb Panels

Hinged Center Panel "Door"

- S1M2HC2PM** Perforated Center and Curb Panels

Steel Partition Mounting Kits - Standard & High Roof

- WKC1PM** Standard Position
- WKC1PM3** Extended Position - adds 3" to the cab area (reduces cargo area)
- WKC1PMR** Standard Position when Factory Partition was Removed
- WKC1PMR3** Extended Position when Factory Partition was Removed - adds 3" to the cab area (reduces cargo area)

FOR A MORE COMFORTABLE MOBILE OFFICE

NEW COMPOSITE PARTITION FOR RAM PROMASTER & PROMASTER CITY

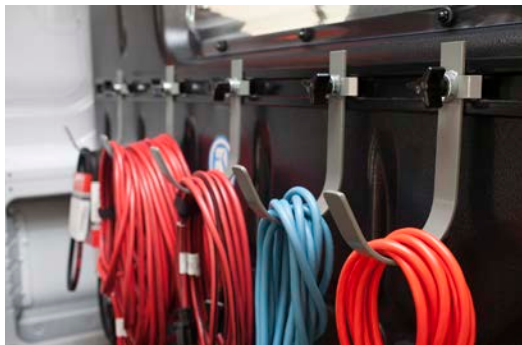
Your mobile office is now more comfortable with an Adrian Steel composite partition. Sound deadening reduces driver distractions. Climate control reduces vehicle idle time for warm up and cool down. Generous leg room for less stress behind the wheel. The integrated steel frame provides the same level of performance that you are accustomed to from Adrian Steel.

PARPM - Composite Partition w/ Visibility

PARPM-NW - Composite Partition

**This product fits the Low & High Roof ProMaster.*

- *Increased climate control due to a tighter seal between the partition and van.*
- *Added driver comfort with increased seat recline angle.*
- *Noise dampening for better focus while driving.*



ProMaster City

PARPMC - Composite Partition w/ Visibility

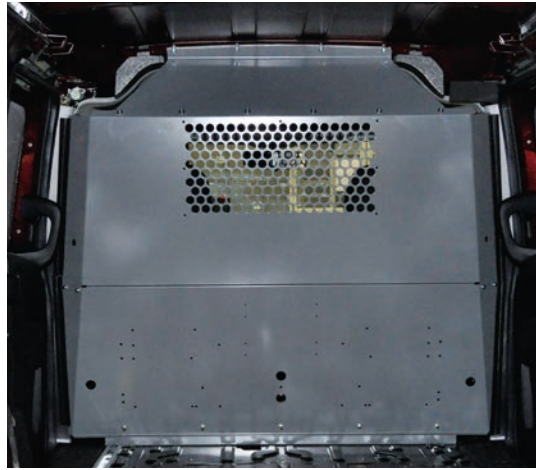
PARPMC-NW - Composite Partition

- *Available with or without a clear poly rear-view window.*
- *Add hooks along the integrated AD rail.*
- *Features a mounting location by the door for a fire extinguisher (not included.)*



STEEL PARTITION W/ VISIBILITY

The **P2PMCS15** features all steel panels that safeguard the cab area against moving and shifting cargo. The recessed design allows for maximum adjustability of the front seats and provides storage space for a 6 foot step ladder in the back of the ProMaster City. The perforated window allows for visibility of your cargo area and rear windows while the solid steel construction provides better climate control and sound deadening. The steel header and full perimeter wings provide optimal security.



WIRE PARTITION

The **P2PMCFW15** provides maximum visibility while safeguarding your van cab area against moving and shifting cargo. The recessed design allows for maximum adjustability of the front seats and provides storage space for a 6 foot step ladder in the back of the ProMaster City. The **P2PMCFW15** is lightweight and economical without sacrificing safety and security.



Partition Accessories



TA1 4-Hook Bar 2" x 12" bar mounts to partition or shelving. Four welded hooks with 2" hanger opening.

PDK1 Steel Partition Door Kit converts ProMaster M-Series fixed center panel partition into a hinged door with keyed slam latch. Includes two 6" hinges, bulb seal and a slam latch that reduce vibration noise.



PA9 First Aid Tray secures first aid box. Measures: 11"W, 4-1/2"H, 3-1/8" D

PA7 Reflector Kit w/ Bracket Includes reflector kit with metal pocket holder, I.C.C. approved.



PA8 Fire Extinguisher is a rechargeable, 2-1/2 lb. dry chemical extinguisher. Stops Class A, B and C fires. Complete with charge gauge and mounting bracket.

PA10 File Holder Organizes paperwork. Measures: 12"W, 7"H, 5"D.

TH30 or TH50 Tank Holder holds 30lb. or 50lb. tank to partition or other vertical surface.

PA5-SPR Partition Climate Control Kit (not shown) install over the perforations of the ProMaster partition to help with climate control in the cab.

EXCLUSIVELY FROM ADRIAN STEEL: A SHELVING PLATFORM THAT ALLOWS YOU TO PUT SHELVES WHERE YOU WANT THEM, NOT WHERE WE THINK YOU NEED THEM!

ADseries is the next generation of cargo management solutions, engineered to optimize your work van storage and accessibility. Featuring truly ADjustable shelves, an ADaptable rail system, and heavy-duty shelves designed to accommodate the diverse range of cargo you need to get the job done.

ADJUSTABLE SHELVES

Tools, equipment and cargo come in all shapes and sizes and until now, there hasn't been a shelving unit that is truly adjustable. The ADseries is the first of it's kind where, with only a screwdriver, you can simply remove the front shelf bolts and move the shelf to where you need it.



The **HAD shelving units** for the Promaster feature two ADseries adjustable shelves in the center of the shelf unit. These two shelves feature a 2" lip and, with only a screwdriver, can be adjusted up or down on one inch increments.

MODEL	OVERALL SIZE	DESCRIPTION
HAD4459	44" x 59" x 14"	Fits Promaster
HAD5059	50" x 59" x 14"	Fits Promaster

HAD5059 shown with optional TA1 4-Hook Bar

HD shelving units for the ProMaster and the ProMaster City feature KD adjustable shelves.



HD-28NV2

The top and bottom shelf feature a 2" lip, the center shelf features a 4" lip. Each shelf can be adjusted up or down on one inch increments. The contoured end panels allow the shelf to sit closer to the van wall. **DV12 Shelf Dividers** are available. Fits RAM ProMaster City.



HD32TC

All shelves are adjustable on one inch increments and feature a one inch lip. **DV12 Shelf Dividers** are available. Fits RAM ProMaster City.



HD4459

The top and bottom shelf feature a 2" lip, the center two shelves feature a 4" lip. Each shelf can be adjusted up or down on one inch increments. Fits full size RAM ProMaster.

MODEL	OVERALL SIZE	VECHILE FIT	OPEN SHELF SPACE
HD4459	44"W x 59"H x 14"D	Fits ProMaster	17.11 sq ft
HD5059	50"W x 59"H x 14"D	Fits ProMaster	19.44 sq ft
HD32TC	32"W x 46"H x 12"D	Fits ProMaster City	10.67 sq ft
HD-28NV2	28"W x 46"H x 12"D	Fits ProMaster City	7 sq ft

JD SERIES JUMBO DEEP SHELVING

- Available in 18" and 24" depths.
 - Shelf gussets and floor rail provide extra strength.
 - 18" deep units contain one 14" and two 18" deep shelves.
 - 24" deep units have squared end panels and two shelves.
- See chart.

MODEL	OVERALL SIZE	VECHILE FIT	OPEN SHELF SPACE
JD42FP	42"W x 46"H x 18"D	Fits ProMaster	14.58 sq ft
JD52FP	52"W x 46"H x 18"D	Fits ProMaster	18.56 sq ft
JD48FP	48"W x 48"H x 24"D	Fits ProMaster	20.21 sq ft
JD60FP	60"W x 48"H x 24"D	Fits ProMaster	20 sq ft

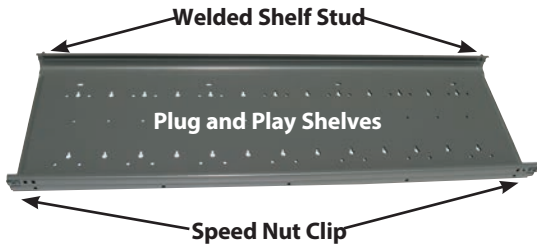


Contoured top and bottom steel end panels maximize aisle space.

Shelves adjustable on 1" centers.

ADAPTABLE INTERIOR

Everyone likes to set their work van up their own way. The new ADseries shelving lets you position the shelving where you need it. Exclusive to the ADseries, the unique rail system enables you to reposition the shelving in the van, increasing the available space for trade specific equipment. All of this is done without removing bolts, plugging holes and redrilling the van!



Truly Adjustable Shelves All you need is a phillips screwdriver! Simply remove two bolts from the speed nut clips that come with the shelf, tilt the shelf upwards, move the shelf to your desired location, insert the rear shelf studs, reattach the bolts and you're done!

Rear Shelf Studs unique design lock shelves in place!

ADD ACCESSORIES

Businesses change over time and your van interior should be able to change with your needs. Plug and Play shelves have prepunched holes that allow adding storage solutions easily! ADseries dividers simply snap in place, drawer units simply bolt in and door kits can be added to lock your more valuable parts and equipment. Many Adrian Steel accessories can be added to the ADseries shelving with the rail adapter kits and end panel brackets.



ADSERIES SHELF UNITS AND RAIL KITS

MODEL	SIZE	DESCRIPTION
HAD4459	44"W x 59"H x 14"D	fits ProMaster, std. & high roof
HAD5059	50"W x 59"H x 14"D	fits ProMaster, std. & high roof
AD28PMC	28"W x 46"H x 14"D	fits ProMaster City
AD32PMC	32"W x 46"H x 14"D	fits ProMaster City
RKPMSWB	Mounting Rail Kit	ProMaster
RKPMMWB	Mounting Rail Kit	ProMaster
RKPMLWB	Mounting Rail Kit	ProMaster
RKPMXLWB	Mounting Rail Kit	ProMaster
RKPMC	Mounting Rail Kit	ProMaster City
RK72PMC	Mounting Rail Kit	ProMaster City

Note: Rails are not included with the shelf units. Rail kits must be ordered separately

Note: Shelves have the following weight rating:

- Shelves positioned with the shelf lips facing up have a rating of 100lbs per shelf evenly distributed.
- Shelves positioned with the shelf lips facing down have a rating of 200lbs per shelf evenly distributed.

ADSERIES ACCESSORIES

MODEL	SIZE/DESCRIPTION
DV14C1	Shelf Divider
DV14C8	14" Shelf Dividers, 8 pack
DV12	Shelf Divider
DV14	Shelf Divider
DK3010	Door Kit
DK4208	Door Kit
DK4210	Door Kit
DK4810	Door Kit
BRK14EPS	End Panel Mounting Bracket
RKA1	Rail Kit Adapter/See list at right
RKA3	Rail Kit Adapter3/See list at right
RKA4	Rail Kit Adapter4/See list at right
RKAWTR	Welded Tank Rack Rail Adapter
RKA919	Drawer Riser Kit
35325-G	32" Long Shelf
35327-G	44" Long Shelf
35328-G	50" Long Shelf

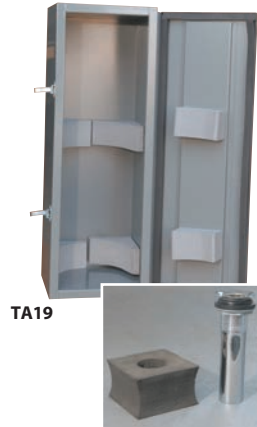
RKA3 – Rail Adapter Kit3
Use with: #1, #12, #2, #8, DC Units, 17A, TA19, TA5

RKA4 – Rail Adapter Kit4
Use with: CL1446R, #40, KD Shelving Units, #33W, JD Shelving

BRK14EPS – End Panel Mounting Bracket.
Use with: 17A, CB5, 43, TA19, WRH5, UH10/50, PA9, PA8, ACT3/4, PA7, TH30, TH50, TA5

SPECIFIC JOBS DEMAND SPECIFIC STORAGE SOLUTIONS.

Cabinet and Drawer Modules provide secure storage for large and small tools and parts. The modular design allows you to get what you need now and the ability to add more when you need it. Whatever the job demands, Adrian has the storage solutions to transport your gear safely and securely.



Vented gas storage solutions

TANK CABINETS

- Provide vented storage for Propane, Mapp gas or CO2 tanks.
- Cabinets feature a full door gasket with two snap latches for positive door closure.
- Interior cabinet cradle and retaining straps (foam yokes for TA19) secure tanks and prevent movement.
- Floor vent and tubing are included for exhausting fumes.
- Propane cabinets store 20, 30 or 40 lb. tanks.
- Mapp Gas Cabinets store 6 1/2" diameter tanks.
- CO2 Tank Cabinets store 20 lb. cylinders.

MODEL	DESCRIPTION	CABINET SIZE
TA19	Compressed Gas Tank Cabinet	13"W x 32"H x 12-1/2"D



Folding T handles don't stick out into aisles.

SHELF CABINETS

- Available in 12" and 18" front to rear lengths
- Can be used free standing or stacked with our lockable drawer units.
- Feature locking recessed tee-handles for secure storage and receive a durable gray powder coat finish.
- Cabinets feature an open side and can be combined for side-by-side use holding items up to 35" long.
- Optional end panel can be added to close off side when required.
- Include an adjustable shelf that can be removed
- Cabinets provide a solid surface to stack modular drawers, cabinets and bins.

MODEL	DESCRIPTION	CABINET SIZE
1	Adjustable Single Shelf Cabinet w/Lock	18"W x 22"H x 18"L
12	Adjustable Single Shelf Cabinet w/Lock	18"W x 22"H x 12"L
1A	Cabinet Shelf	No. 1
12A	Cabinet End Panel	No.12



CL1446R

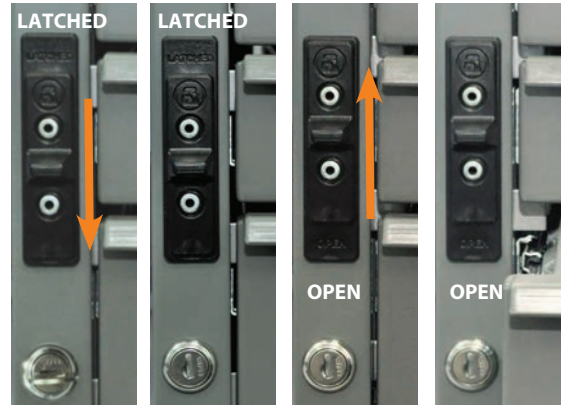
CABINET LOCKERS

- Full-door Lockers feature a 46" high storage space with 3 removable shelves.
- Short-door Lockers feature a 33" high storage area and with 2 removable shelves.
- Locker doors are reversible for flexibility and feature locked recessed T-handles for security.
- Cabinet Lockers taper from 14" to 12" from front to back in depth at top and bottom to maximize aisle space.

MODEL	DESCRIPTION	CABINET SIZE
CL1446R	Adjustable 3-Shelf Cabinet w/ Lock	18"W x 46"H x 14"D



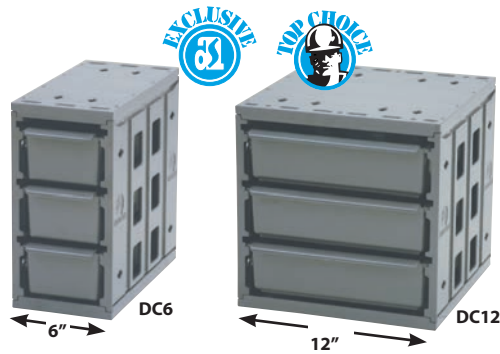
2.5" deep drawers come with ABS divided and removable trays perfect for small parts.



DRAWER UNITS – LOCK 'N LATCH SYSTEM

- Our exclusive Lock 'n Latch system provides a choice of drawers open, drawers retained or drawers locked position.
- Drawers are made of an engineered composite material for durability with heavy-duty drawer glides for support and smoother drawer operation.
- The new drawer glides significantly increase the ease of use when opening and closing the drawer units. They all but eliminate the rattle noise of the drawers when the driving the vehicle.
- Drawers and glides can be repositioned within cabinet for increased flexibility.
- Divide 5" deep drawers into compartments using optional metal "egg crate" dividers.

MODEL	DESCRIPTION	DRAWER SIZE (QTY.)
19	2-Drawer Unit w/ Lock	16"W x 5"D x 11-1/2"L (2)
919	3-Drawer Unit w/ Lock	16"W x 2-1/2"D x 11-1/2"L (2) 16"W x 5"D x 11-1/2"L (1)
9	4-Drawer Unit w/ Lock	16"W x 2-1/2"D x 11-1/2"L (4)
27	Drawer Divider Assembly	19 or 919 Drawer (1)



DRAWER COMPONENTS

- Organize small parts with our flexible and rugged composite Drawer Components.
- Drawer retention stops prevent drawers from opening while the vehicle is in transit.
- Made of a hi-impact polymer for a quiet operation.
- Each drawer comes with 2 dividers and 7 divider slots.
- Interlocking feature allows up to 2 units stacked vertically or multiple units horizontally.
- Choose from Adrian Steel's pre-configured drawer systems or create your own drawer system from the base models.

MODEL	DESCRIPTION	OVERALL SIZE
DC6	3-Drawer Unit	6"W x 12"H x 12"D
DC12	3-Drawer Unit	12"W x 12"H x 12"D

5lb. weight capacity per drawer.



#2 Cabinet Size
18"W x 24"H x 18"L

#8 Cabinet Size
18"W x 18"H x 12"L

DRAWER UNITS – LOCKING HINGE AND HASP

- Drawers are welded and have reinforced drawer slides for strength.
- Can be locked with a padlock (not included) for security.
- Divide drawers with optional metal "egg crate" dividers.

MODEL	DESCRIPTION	DRAWER SIZE (QTY.)
8	3-Drawer Unit	16"W x 5"D x 11-1/2"L (3)
2	4-Drawer Unit	16"W x 5"D x 17-1/2"L (4)
26	Drawer Divider Assembly	No. 8 Drawer (1)

ADRIAN'S BLUE BIN SYSTEM IS PERFECT FOR VISUAL INVENTORY MANAGEMENT.

- 6" and 12" bins maximize the ADseries shelf space.
- The bins can nest on top of each other when at the job site or in the warehouse getting filled to go.
- Add a label to the front so you can find parts quickly
- Each bin can accommodate one optional divider.

MODEL	DESCRIPTION
SBIN060614	Snap In Bin, 6" X 6" X 14"
SBIN120614	Snap In Bin, 12" X 6" X 14"
SBINDIV	Snap In Bin Divider



LITERATURE FILES



- 1: CB5 5-Slot Literature Rack** Mount on partition or other vertical surface. 2-1/2" deep pockets. Overall size: 12"W, 24"H, 2-1/2"D.
- 2: CB7 7-Slot Literature Rack** Mount on partition or other vertical surface. 6-3/4" deep pockets. Overall size: 14-3/4"W, 28-7/8"H, 7"D.
- 3: 17A 6-Shelf Catalog File** Designed for catalogs but also serves to store a variety of materials between the 3" shelf spacings. Overall size: 11"W, 24"H, 12"D.
- 4: 43 3-Shelf Literature Rack** Fits in narrow spaces. It has three tilted shelves. Perfect for binders and catalogs. Overall size: 6" W, 34" H, 12" D.

- 5: BH4 4-Slot Literature Rack** Designed to mount on partition or almost any vertical surface. Excellent for binders. Each pocket is 2 1/2" deep. Overall size: 12-3/4" W, 19-1/2" H, 2-1/2" D.



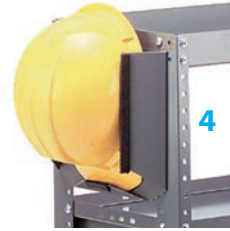
1



2



3



4



5



6



Storage for small parts 7



8



9

REEL HOLDERS



WRH5 5-Bar Spool Holder Five removable bars hold wire spools up to 6" in diameter. Reel Holder mounts to shelf ends or any vertical surface.
Overall size: 12" W, 25" H, 4" D

1: DST21 Door Storage Tray offers convenient access to parts and tools.

Overall size: 20" W, 4" D, 8" H

2: Aerosol Can Tray secure cans for easy access.

ACT3 - 3-Place Aerosol Can Holder

ACT4 - 4-Place Aerosol Can Holder

3: 14 Step Stool has a wide base and is 12" high. Stool can be used with a workbench or as an auxiliary step. Top measures 10" x 20" One size.

4: TA2 Hard Hat Holder secures hat to partition or shelving.

5: VMA36 Vise Mount Assembly is floor mounted and telescopes out beyond side or rear cargo doors when fully opened. Measures 36" closed and 60" open.

6: Touch-Up Paint in spray cans match Steel-Cote™ finish. Three colors:

STP12G - Gray **STP12W** - White **STP12B** - Black

7: Door Tray comes with two dividers and has optional lid for containment.

DT21 - Door Tray Overall size: 18" W, 4" D, 4" H

DTL21 - Door Tray Lid for DT21 only

DTWL21 - Door Tray w/ Latching Lid

8: Hooks organize a variety of cargo in easy-to-access locations.

UH10 - Utility Hook, 1"

UH25 - Utility Hook, 2-1/2"

UH50 - Utility Hook, 5"

TA1 - 4-hook bar

9: Parts Tray features a 2" deep shelf lip. Can be mounted to cabinet and drawer modules for added top storage.

4B - Parts Tray Overall size: 18" W, 12" D, 2" H

10: Work Mat (not shown) Skid resistant commercial rubber floor mat with an aluminum threshold for the side and rear doors.

88-118PM - Workmat Kit

88-159PM - Workmat Kit

88-136PM - Workmat Kit

88-159EXPM - Workmat Kit

11: Composite Floor (not shown) Solid surface flooring that protects the vehicle floor while eases the loading and unloading of large cargo.

89-PM136 - Composite Floor

89-PM159 - Composite Floor

WIRE WINDOW SCREENS

60-PM-MLXW Security Screen Kit. Promaster 136, 159, 159X

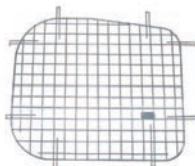
60-PM SWB Security Screen Kit, ProMaster 118" WB

60-129 Rear Door Security Screen

60-131 Passenger Side Sliding Door Security Screen

60-PMCRD Rear Doors Security Screen Kit

60-PMCS Side Sliding Doors Security Screen Kit



BE MORE EFFICIENT WITH INVENTORY THAT IS READY TO GO WHEN AND WHERE YOU ARE.

Versatile, lightweight, durable, convenient and mobile - these **Portable Parts Cases** are perfect for the tech who needs to carry small parts and inventory to the jobsite.

The impact resistant body can be organized with the included adjustable dividers. The see-through lids with snap latches make identifying contents easy.

PPCS 14" x 14" x 3.75"
PPCL 14" x 14" x 6.25"



CH-EP
 15.5" x 11.25" x 37.5"

* **FIRST AID KIT NOT INCLUDED**



CHPPC5SM
 16.5" x 14" x 35"



Add a single **CH1514SGL** or double **CH-1514DBL Case Holder** to an existing shelf to house included cases that stay put while in transport.

CH1514SGL 15" x 14" x 12"
CH-1514DBL 15" x 14" x 12"

INCORPORATE THE PORTABLE PARTS CASES INTO YOUR VAN WITH THE STORAGE OPTION THAT FITS YOUR NEED.

Three different **Case Holder** options with Portable Parts Cases included give you the ability to house multiple Portable Parts Cases near the vehicle door for easy access to grab-and-go. The **CH-EP** and **CHPPC5SM** include a tray that holds an optional first aid kit and feature slanted shelves.

The **CHPPC4S** includes four PPCS cases and each shelf has a retaining lip to keep cases in place.



CHPPC4S
 14 3/8" x 14 3/8" x 18"

FINALLY!

A LADDER RACK DESIGNED AROUND YOU... NOT YOUR VEHICLE.

Introducing the All-New Drop-Down Ladder Rack from Adrian Steel!



The new, simpler design makes it easier to install and adjust. The aluminum build of the rack reduces corrosion and keeps your ladder rack looking like new. It will accommodate a variety of ladders and safely secure them for transport.

Technicians that are 5'-4" or taller can safely load and unload the ladder because of the lower, more ergonomic load and unload height. Durability testing ensures that the rack will stand the test of time and perform as it should for many years.



EXCLUSIVE!

With the turn of a knob, you can quickly adjust the rack to fit a wide variety of ladders.

Low Roof

- DD61PML118** - Passenger Side Drop Down Ladder Rack
- DD61PML136** - Passenger Side Drop Down Ladder Rack
- DD63PML118** - Dual-Sided Down Ladder Rack
- DD63PML136** - Dual-Sided Down Ladder Rack

High Roof

- DD61PMH136** - Passenger Side Drop Down Ladder Rack
- DD61PMH159** - Passenger Side Drop Down Ladder Rack
- DD61PMHEXT** - Passenger Side Drop Down Ladder Rack
- DD63PMH136** - Dual-Sided Down Ladder Rack
- DD63PMH159** - Dual-Sided Down Ladder Rack
- DD63PMHEXT** - Dual-Sided Ladder Rack

Accessories- Low Roof

- DDLRLSK2** - Step Ladder Kit
- 80-1LR** - 10'6" Aluminum Conduit Kit
- 80-2LR** - 12'6" Aluminum Conduit Kit

High Roof

- DDLRLSKHR** - Step Ladder

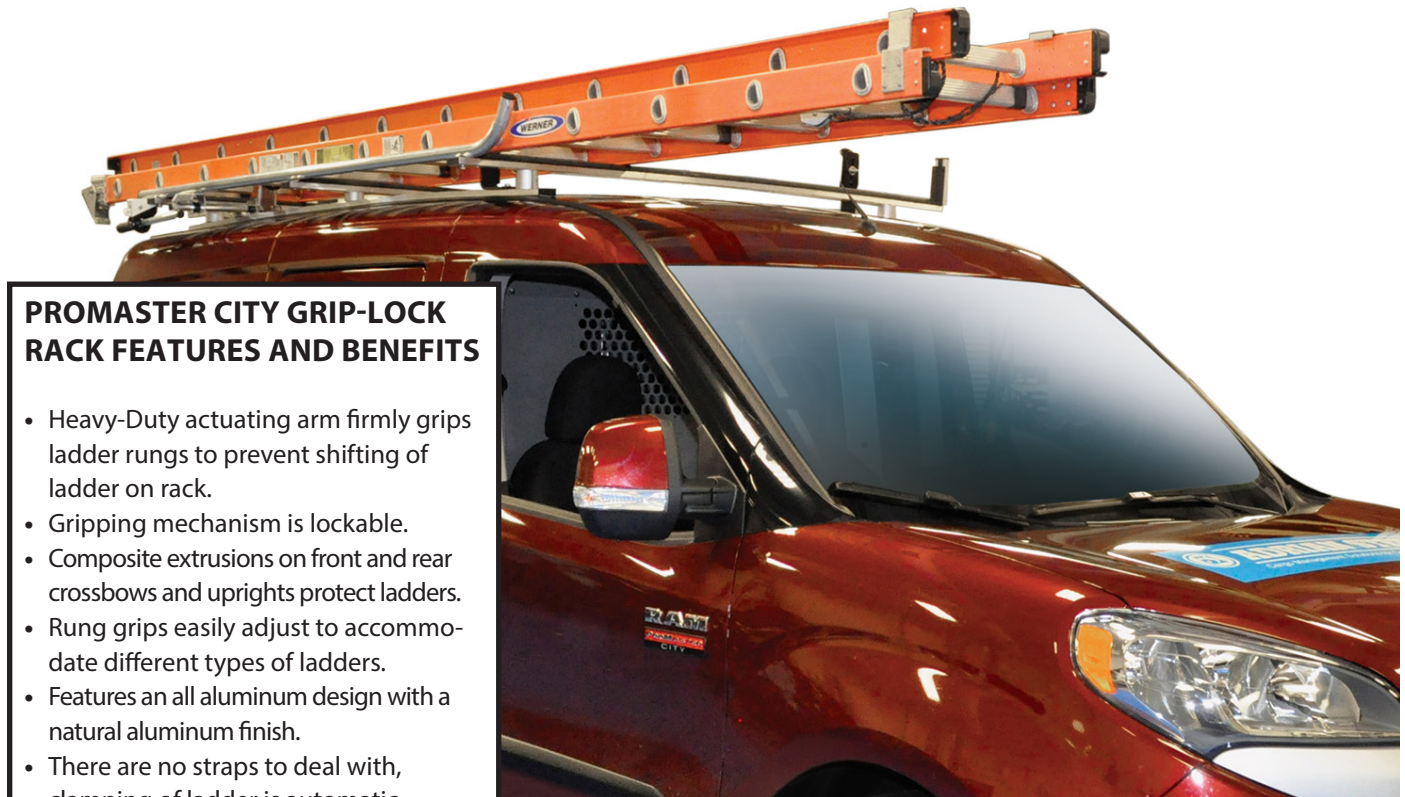


Standard rack accommodates 28' extension ladder and 10' step ladder – short step ladders will need optional step ladder kit and up to 32' extension ladder with extension ladder kit.

See it in action on AdrianSteel.com

GRIP YOUR LADDERS SECURELY WITH ADRIAN'S LOCKING STYLE LADDER RACKS.

Adrian's Grip-Lock racks protect the sides and roof of your van during loading and unloading ladders. All Grip-Lock racks feature a lockable, gripping mechanism which firmly secures one or two ladders to the top of the van. Racks easily adjust for ladders of different sizes.



PROMASTER CITY GRIP-LOCK RACK FEATURES AND BENEFITS

- Heavy-Duty actuating arm firmly grips ladder rungs to prevent shifting of ladder on rack.
- Gripping mechanism is lockable.
- Composite extrusions on front and rear crossbows and uprights protect ladders.
- Rung grips easily adjust to accommodate different types of ladders.
- Features an all aluminum design with a natural aluminum finish.
- There are no straps to deal with, clamping of ladder is automatic.
- Accommodates up to a 24 ft. extension ladder.
- To carry a 6 ft. step ladder, order **1BPMCGL**.

MODEL	DESCRIPTION
61-PMC	Passenger Side Grip Lock Ladder Rack
63-PMC	Dual Side Grip Lock Ladder Rack
2BPMC	2-Bar Utility Rack
61TCSSUR	Utility Rack Add-On Kit



ProMaster City with a 61-PMC Single Grip Lock Ladder Rack and a 61TCSSUR Utility Rack Add-On Kit

Adrian Steel PROFILE™
HD Utility Rack.

The perfect rack for your business.

Select a pre-configured rack developed for common industry needs or take charge and build your own with our configuration tool.

This new system is low profile, aerodynamic, lightweight & tough. The clean, simplistic and corrosion resistant construction with stainless steel hardware and durable powder-coat finish is built to withstand heavy use and ensure years of dependability.

Mix and match components and accessories give you the flexibility to get the perfect rack for your business in less time and with less hassle.

Designed to adapt to almost any vehicle (truck, trailer and topper mounting coming soon) and the unique modular design can be easily upgraded for specific utility use.

1. Minimalistic Design.

Sleek, low-profile for great looking integration on any vehicle and was specifically designed and tested to prevent wind noise.



2. Safe, Secure Loading.

Multiple integrated tie-down points come standard for quick and safe transportation.



3. Rugged Wear Strip.

Why let loading and unloading take a toll on your gear and rack systems? Our new, extra-thick Wear Strip comes standard to protect equipment and T-slot crossbars, while keeping debris out of the channels.



4. Industry-Leading Customization.

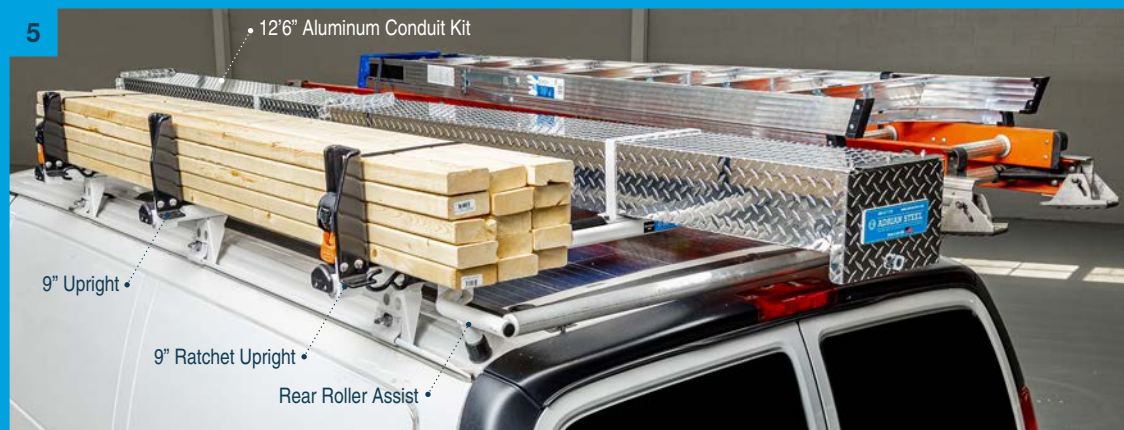
Profile™ Crossbars have built-in channels for adding Ladder Stops, Rear Roller Assist, Built-In Ratchets, Conduit Kits and additional accessories.



5. 750lb. Load Capacity.

3" x 1.5" Heavy Duty, reinforced extruded aluminum crossbars are tested to support up to 250LBS per crossbar for maximum roof loading capacity.

(Always follow OEM roof rating weight standards for safest loading capacity)





MADE IN USA



Spec & Tech:

PROUDLY MADE IN THE U.S.A.

Rust-free construction with aluminum and galvanized steel components and stainless-steel hardware.

Simple no-drill installation secured to factory mounting points or drip rails

500LB - 750LB (2 or 3 crossbars) weight capacity. Always follow OEM recommended roof rating standards.

Long lasting DURA™ Powder-Coat Finish in TRU white.

30 minute installation time. (Varies by configuration)

One Rack, Endless Configurations.
Build the perfect rack for your business.

Rear Roller Assist
FULL-SIZE VANS ONLY

Single Crossbar Add-On

68" Crossbars FULL-SIZE VANS
58" Crossbars COMPACT VANS

Ladder Stop

4" Upright

6" Upright

9" Upright

9" Ratchet Upright

More Profile™ Functions Coming Soon!

- Drop Down with EZ-up Technology
- Perimeter Side Rails
- GripLoc®

6" End Caps for PVC Kit
70-2NGLR

4" End Caps for PVC Kit
70-1NGLR

12'6" Aluminum Conduit Kit
80-2NGLR

10'6" Aluminum Conduit Kit
80-1NGLR

The perfect rack for your business.

Select a pre-configured rack developed for common industry needs or take charge and build your own with our configuration tool.

2-BAR OPTIONS

How to Order: "2-Bar Part Number" + "4-Pack Mounting Kit"



2-Bar w/ 4" Uprights

Full-Size Van # Compact Van #

2B4W

2B4CW



2-Bar w/ 6" Uprights

Full-Size Van # Compact Van #

2B6W

2B6CW



2-Bar w/ 9" Ratchet Uprights

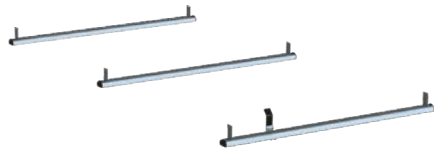
Full-Size Van # Compact Van #

2B9RW

2B9RCW

3-BAR OPTIONS

How to Order: "3-Bar Part Number" + "4-Pack Mounting Kit" + "2-Pack Mounting Kit"



3-Bar w/ 4" Uprights

Full-Size Van # Compact Van #

3B4W

N/A



3-Bar w/ 6" Uprights

Full-Size Van # Compact Van #

3B6W

N/A



3-Bar w/ 9"⁽²⁾ & 9" Ratchet Uprights⁽⁴⁾

Full-Size Van # Compact Van #

3B9RW

N/A



3-Bar w/ 6" Uprights & Rear Roller

Full-Size Van # Platform:

3B6RRPMW

ProMaster

**Does not work with Transit High Roof 148" Extended or Sprinter High Roof 170" Extended*

②

③

MOUNTING BRACKETS

4-Pack

2-Pack

Vehicle Platform:

Ram	PMMBK4W	PMMBK2W	ProMaster Low/High Roof
	PMCMBK4W	PMCMBK2W	ProMaster City



Or scan to build a 100% custom rack.

What to order:	①	②	③
2-Bar Rack:	2-Bar Rack part number	+	4-Pack part number
3-Bar Rack:	3-Bar Rack part number	+	4-Pack part number + 2-Pack part number

Scan to view racks.



Scan to build your own rack.



Scan to find your distributor.



INTERIOR LADDER RACKS

OUT OF THE WAY, BUT NEVER OUT OF REACH.

When you transport your ladders within the cargo area of your van, you reduce the wear and tear on the ladder, and on yourself with easy to access and operate ladder storage solutions.

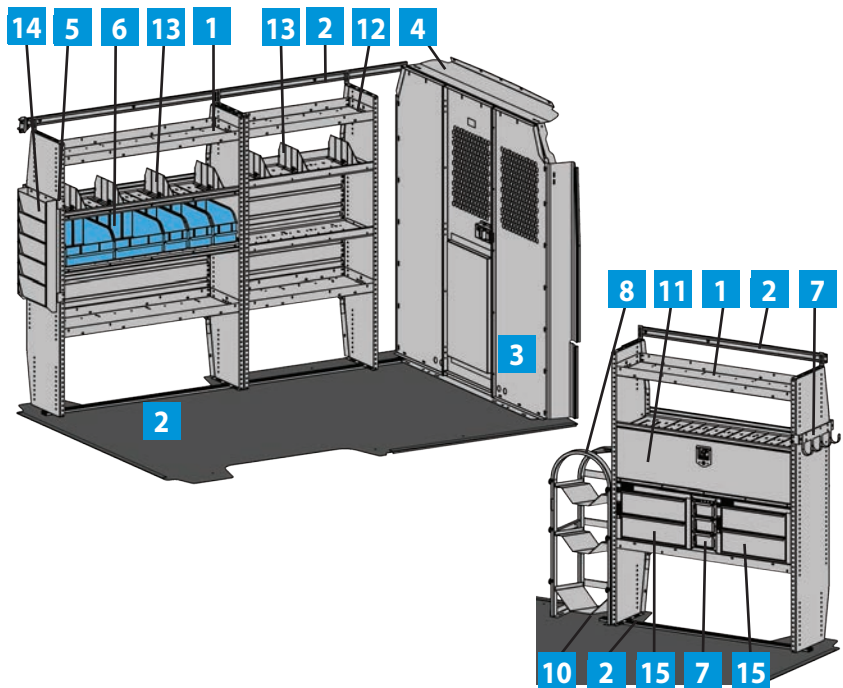


**ILR
LADDER HOLDER**

- The Interior Ladder Rack does not take up, limit, or reduce vertical standing room in your van and it allows quick and easy access to your ladder from outside of your vehicle.
- Customers will appreciate your use of clean, well taken care of equipment rather than bringing the outside mess into their home.
- Perfect for carrying 4ft and 6ft step ladders. Works best in high roof vans and features plastic coated clamps to protect the ladder rungs during transit.

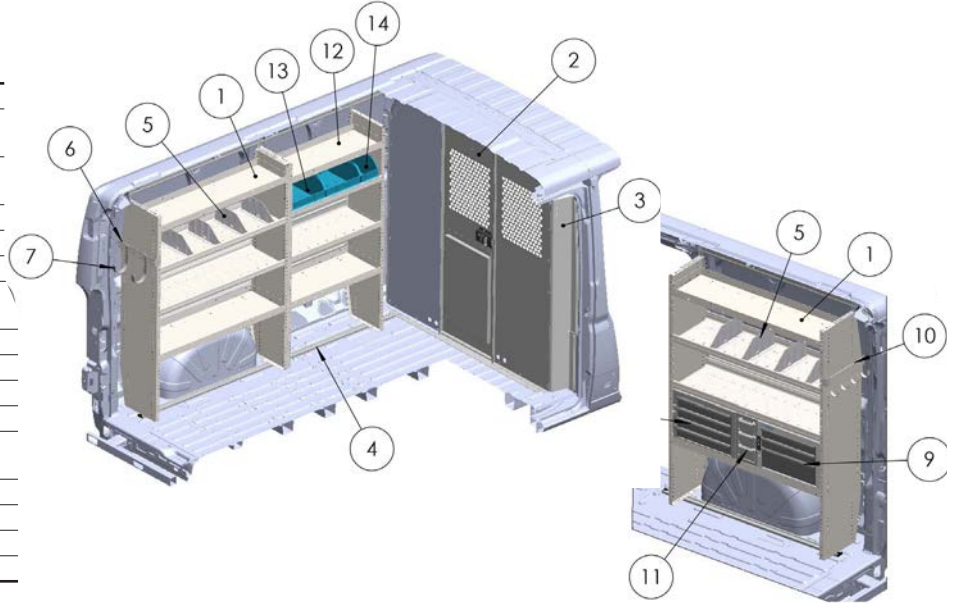
**5466
HVAC STARTER PACKAGE
RAM PROMASTER 118" WB**

ITEM	MODEL	DESCRIPTION	QTY
1	HAD4459	Hybrid 4-Shelf Unit	2
2	RKPMSWB	Mounting Rail Kit	1
3	S1M2HC2PM	Steel Partition Panel Kit w/ Visibility & Door Kit	1
4	WKC1PM	Steel Partition Mounting Kit	1
5	BRK14EPS	End Panel Mounting Bracket	2
6	BR36212	Bin Set for Adjustable Shelving	1
7	DC6	3-Drawer Unit	1
8	WTR230150	Welded Tank Rack	1
9	TA1WAD	4-Hook Bar w/ Adapter	1
10	RKAWTR	Welded Tank Rack Rail Adapter	1
11	DK4210	Door Kit w/ Open Back	1
12	HAD3259	Hybrid 4-Shelf Unit	1
13	DV14C8	14" Shelf Dividers	1
14	CB5	5-Slot Literature Rack	1
15	19	2-Drawer Unit w/ Lock	2



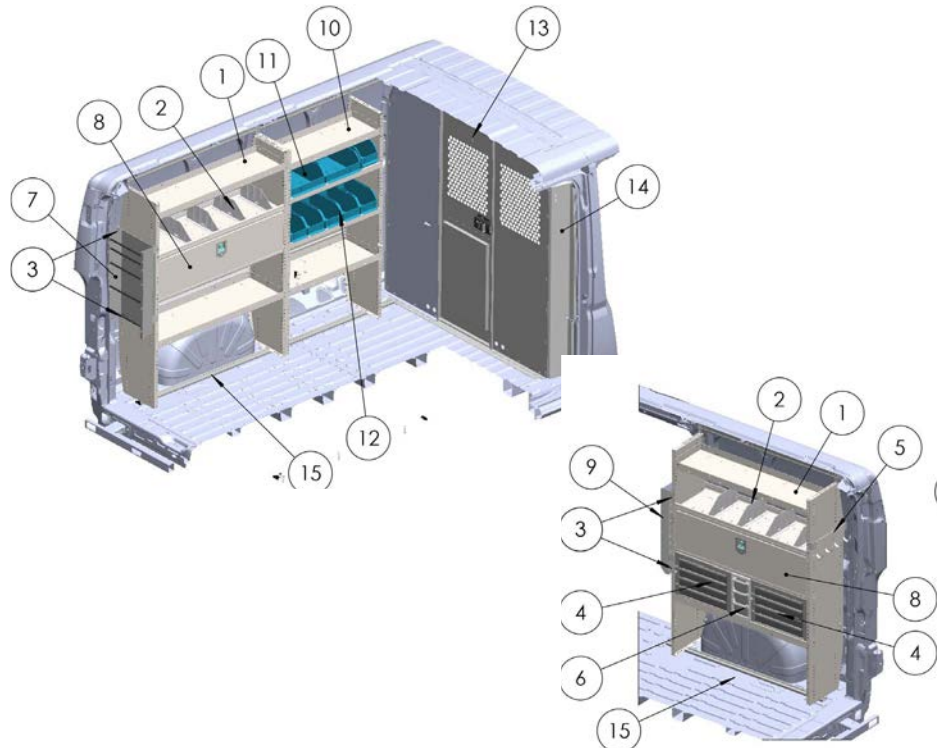
**5462
GENERAL SERVICE STARTER PACKAGE
RAM PROMASTER 118" WB**

ITEM	MODEL	DESCRIPTION	QTY
1	HAD4459	Hybrid 4-Shelf Unit	2
2	S1M2HC2PM	Steel Partition Panel Kit w/ Visibility & Door Kit	1
1	S1M2HC2PM	Steel Partition Panel Kit w/ Visibility & Door Kit	1
3	WKC1PM	Partition Mounting Kit	1
4	RKPMSWB	Mounting Rail Kit	1
5	DV14C8	Shelf Divider Kit	1
6	BRK14EPS	Accessory Mounting Bracket for End Panels	1
1	DC6	3-Drawer Unit	1
7	UH50	Utility Hook	2
8	9	4-Drawer Unit w/ Lock	1
9	919	3-Drawer Unit w/ Lock	1
10	TA1WAD	4-Hook Bar w/ End Panel Adapter	1
11	DC6	3-Drawer Unit	1
12	HAD3259	Hybrid 4-Shelf Unit	1
13	SBIN120614	Snap In Bin	2
14	SBIN060614	Snap in Bin	1



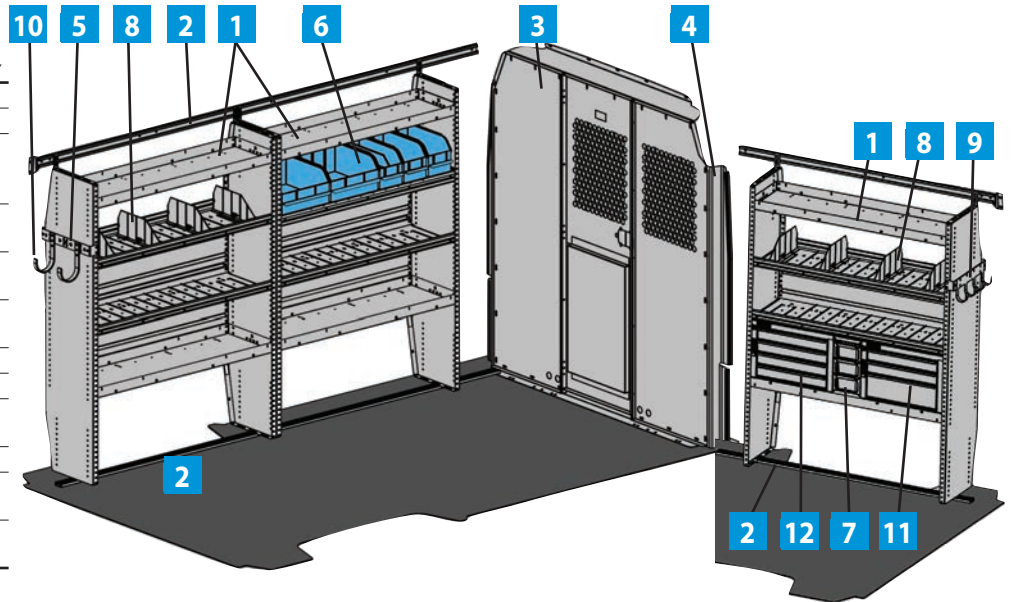
**5463
ELECTRICAL STARTER PACKAGE
RAM PROMASTER 118" WB**

ITEM	MODEL	DESCRIPTION	QTY
1	HAD4459	Hybrid 4-Shelf Unit	2
2	DV14C8	Shelf Divider Kit	1
3	BRK14EPS	Accessory Mounting Bracket for End Panels	1
4	WKC1PM	Steel Partition Mounting Kit	1
4	9	4-Drawer Unit w/ Lock	2
5	TA1WAD	4-Hook Bar w/ End Panel Adapter	1
6	DC6	3-Drawer Unit	1
7	WRH5	5-Bar Spool Holder	1
8	DK4210	Door Kit	2
9	CB5	5-Slot Literature Rack	1
10	HAD3259	Hybrid 4-Shelf Unit	1
11	SBIN120614	Snap In Bin	2
12	SBIN060614	Snap In Bin	6
13	S1M2HC2PM	Steel Partition Panel Kit w/ Visibility & Door Kit	1
14	WKC1PM	Partition Mounting Kit	1
15	RKPMSWB	Mounting Rail Kit	1



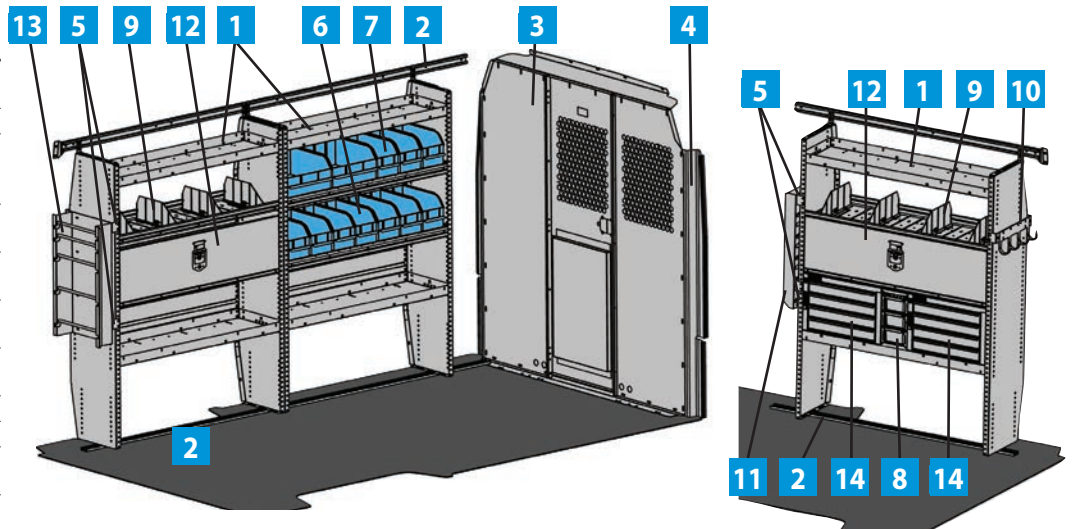
**5180
GENERAL SERVICE
STARTER PACKAGE
RAM PROMASTER 136" WB**

ITEM	MODEL	DESCRIPTION	QTY
1	HAD4459	Hybrid 4-Shelf Unit	3
2	RKPMMWB	Mounting Rail Kit	1
3	S1M2HC2PM	Steel Partition Panel Kit w/ Visibility & Door Kit	1
4	WKC1PM	Steel Partition Mounting Kit	1
5	BRK14EPS	End Panel Mounting Bracket	1
6	BR36212	Bin Set for Adjustable Shelving	1
7	DC6	3-Drawer Unit	1
8	DV14C8	14" Shelf Dividers	1
9	TA1WAD	4-Hook Bar w/ Adapter	1
10	UH50	Utility Hook	2
11	919	3-Drawer Unit w/ Lock	1
12	9	4-Drawer Unit w/ Lock	1



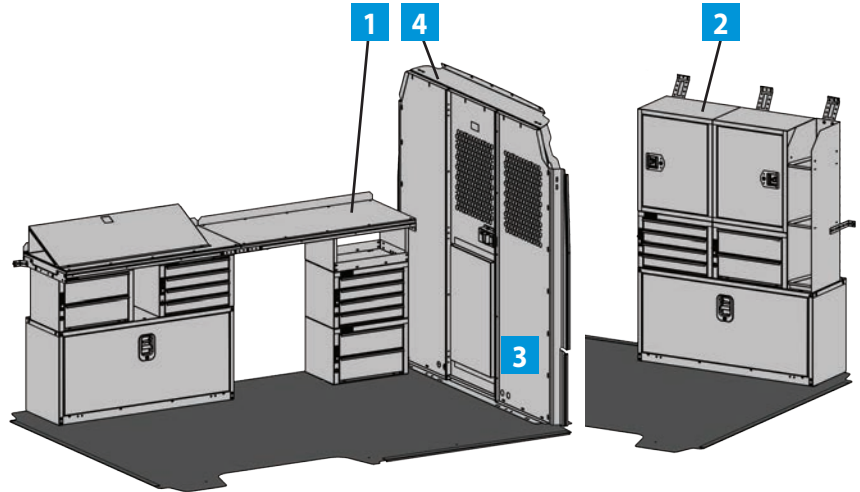
**5181
ELECTRICAL STARTER PACKAGE
RAM PROMASTER 136" WB**

ITEM	MODEL	DESCRIPTION	QTY
1	HAD4459	Hybrid 4-Shelf Unit	3
2	RKPMMWB	Mounting Rail Kit	1
3	S1M2HC2PM	Steel Partition Panel Kit w/ Visibility & Door Kit	1
4	WKC1PM	Steel Partition Mounting Kit	1
5	BRK14EPS	End Panel Mounting Bracket	4
6	BR76012	Bin Set for Adjustable Shelving	1
7	BR36212	Bin Set for Adjustable Shelving	1
8	DC6	3-Drawer Unit	1
9	DV14C8	14" Shelf Dividers	1
10	TA1WAD	4-Hook Bar w/ Adapter	1
11	CB5	5-Slot Literature Rack	1
12	DK4210	Door Kit w/ Open Back	2
13	WRH5	5-Bar Spool Holder	1
14	9	4-Drawer Unit w/ Lock	2



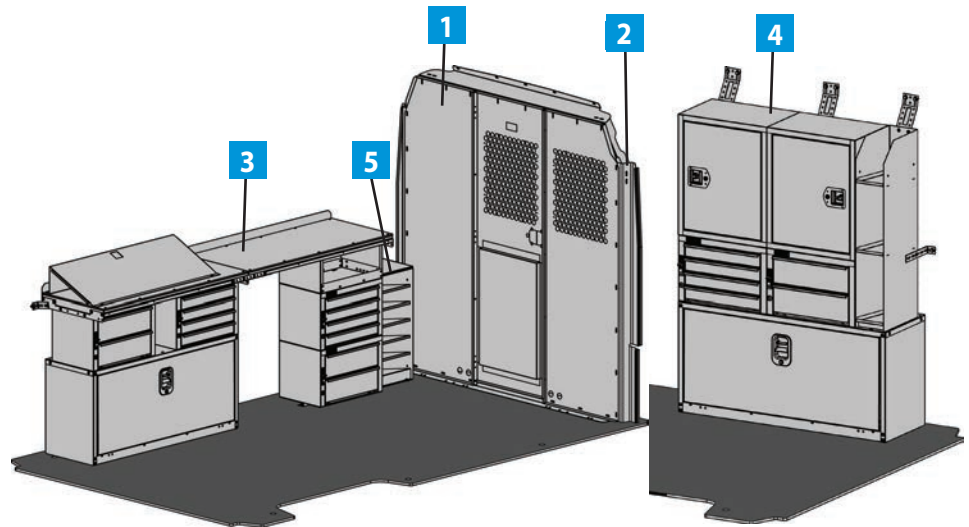
**5467
LOCKSMITH STARTER PACKAGE
RAM PROMASTER 118" WB**

ITEM	MODEL	DESCRIPTION	QTY
1	MD608PM	Workbench Module	1
2	MD506PM	Drawer Module	1
3	S1M2HC2PM	Steel Partition Panel Kit w/ Visibility & Door Kit	1
4	WKC1PM	Steel Partition Mounting Kit	1



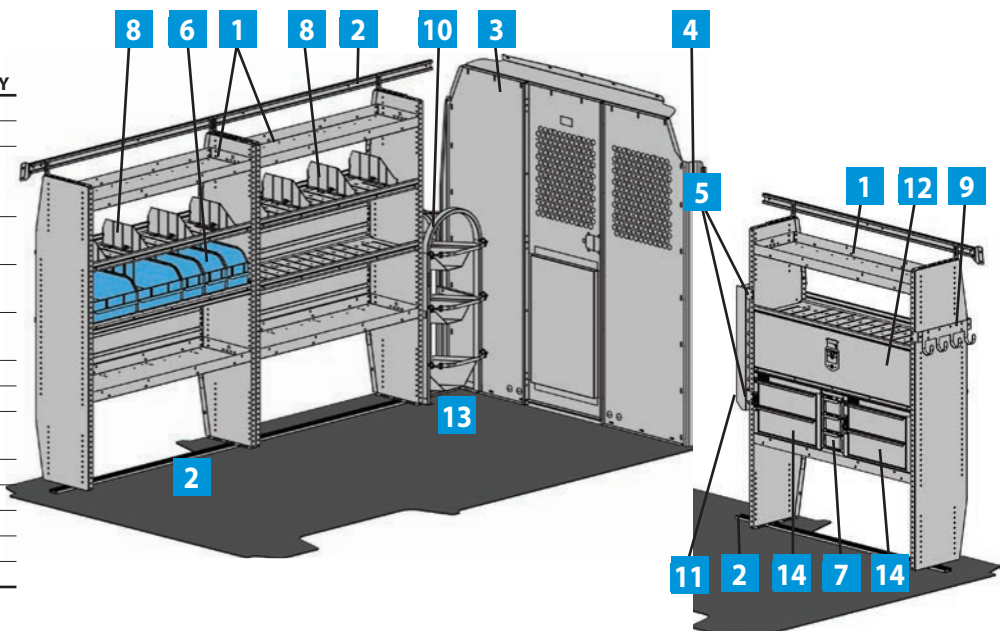
**5274
LOCKSMITH STARTER PACKAGE
RAM PROMASTER 136" WB AND
RAM PROMASTER 159" WB**

ITEM	MODEL	DESCRIPTION	QTY
1	S1M2HC2PM	Steel Partition Panel Kit w/ Visibility & Door Kit	1
2	WKC1PM	Steel Partition Mounting Kit	1
3	MD608PM	84" Workbench Module	1
4	MD506PM	Drawer Module	1
5	17A	6-Shelf Catalog File	1



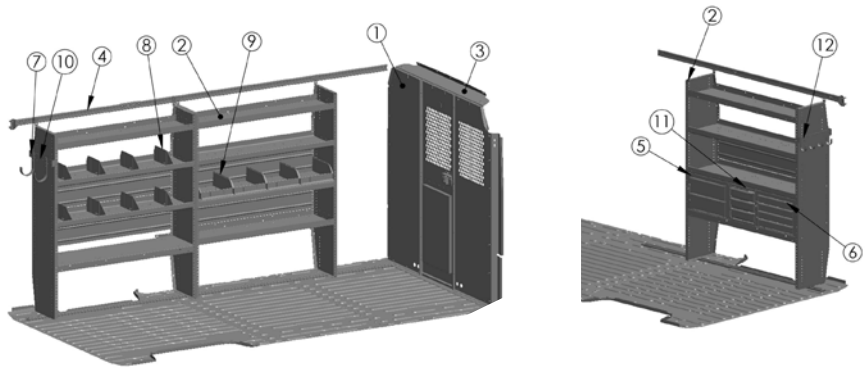
**5184
HVAC STARTER PACKAGE
RAM PROMASTER 136" WB**

ITEM	MODEL	DESCRIPTION	QTY
1	HAD4459	Hybrid 4-Shelf Unit	3
2	RKPMWMB	Mounting Rail Kit	1
3	S1M2HC2PM	Steel Partition Panel Kit w/ Visibility & Door Kit	1
4	WKC1PM	Steel Partition Mounting Kit	1
5	BRK14EPS	End Panel Mounting Bracket	2
6	BR36212	Bin Set for Adjustable Shelving	1
7	DC6	3-Drawer Unit	1
8	DV14C8	14" Shelf Dividers	1
9	TA1WAD	4-Hook Bar w/ Adapter	1
10	WTR230150	Welded Tank Rack	1
11	CB5	5-Slot Literature Rack	1
12	DK4210	Door Kit w/ Open Back	1
13	RKAWTR	Tank Rack Adapter	1
14	19	2-Drawer Unit w/ Lock	2



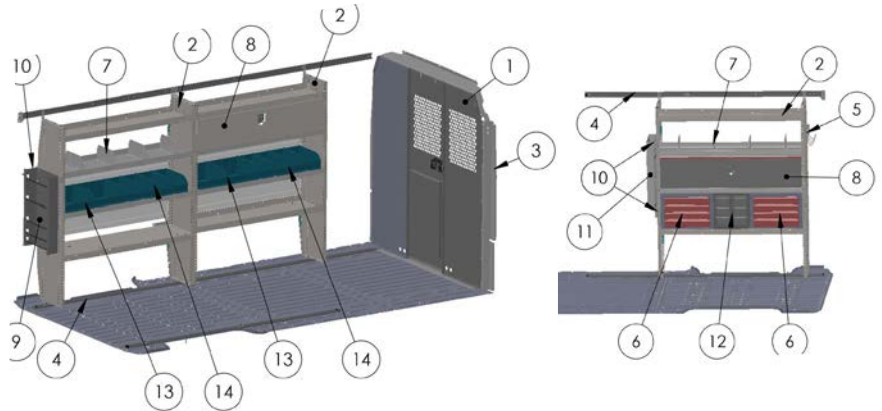
**5185
GENERAL SERVICE STARTER
PACKAGE
RAM PROMASTER 159" WB**

ITEM	MODEL	DESCRIPTION	QTY
1	S1M2HC2PM	Steel Partition Panel Kit w/ Visibility & Door Kit	1
2	HAD5059	Hybrid 4-Shelf Unit	3
3	WKC1PM	Steel Partition Mounting Kit	1
4	RKPMLWB	Mounting Rail Kit	1
5	19	2-Drawer Unit w/ Lock	1
6	9	4-Drawer Unit w/ Lock	1
7	UH50	Utility Hook	2
8	DV14C1	Shelf Divider	8
9	SBIN120614	Snap In Bin	4
10	BRK14EPS	Accessory Mounting Bracket for End Panels	1
11	DC12	3-Drawer Unit	1
12	TA1WAD	4-Hook Bar w/ End Panel Adapter	1



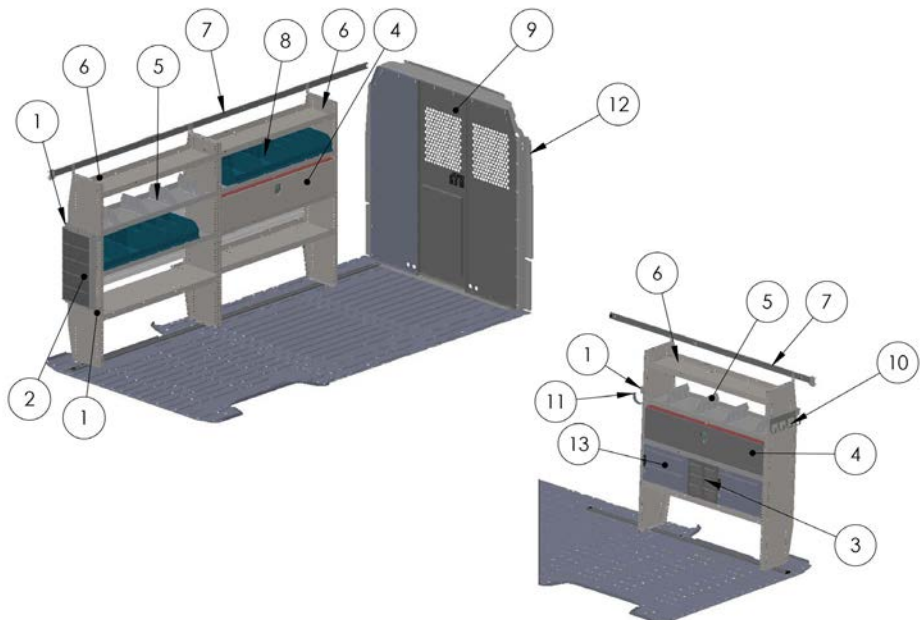
**5186
ELECTRICAL STARTER PACKAGE
RAM PROMASTER 159" WB**

ITEM	MODEL	DESCRIPTION	QTY
1	S1M2HC2PM	Steel Partition Panel Kit w/ Visibility & Door Kit	1
2	HAD5059	Hybrid 4-Shelf Unit	3
3	WKC1PM	Steel Partition Mounting Kit	1
4	RKPMLWB	Mounting Rail Kit	1
5	TA1WAD	4-Hook Bar w/ End Panel Adapter	1
6	9	4-Drawer Unit w/ Lock	2
7	DV14C8	Shelf Divider Kit	1
8	DK4810	Door Kit	2
9	WRH5	5-Bar Spool Holder	1
10	BRK145EPS	Accessory Mounting Bracket for End Panels	1
4	TA1WAD	4-Hook Bar w/ Adapter	1
11	CB5	5-Slot Literature Rack	1
12	DC6	3-Drawer Unit	2
13	SBIN120614	Snap In Bin	4
14	SBIN060614	Snap In Bin	8



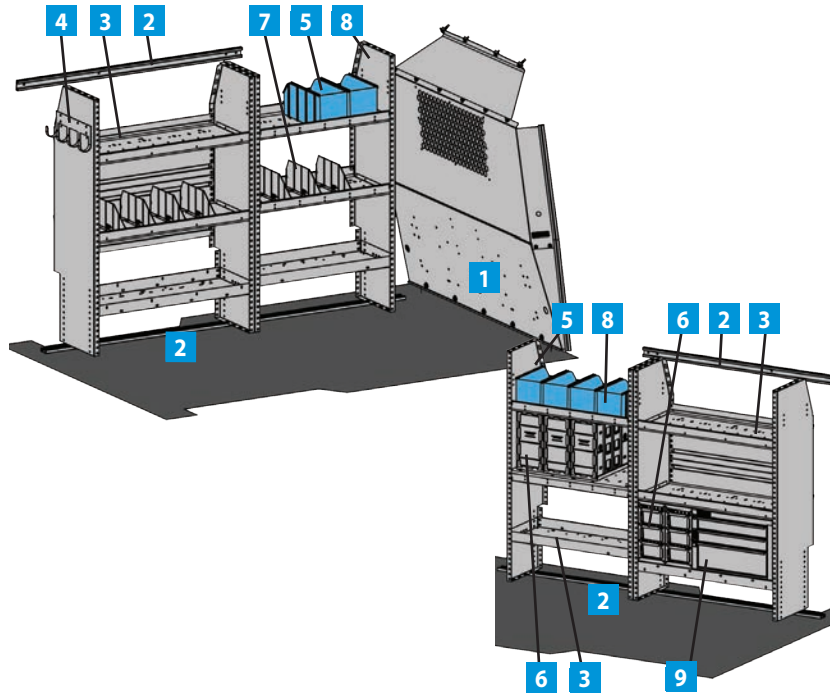
**5189
HVAC STARTER PACKAGE
RAM PROMASTER 159" WB**

ITEM	MODEL	DESCRIPTION	QTY
1	S1M2HC2PM	Steel Partition Panel Kit w/ Visibility & Door Kit	1
2	HAD5059	Hybrid 4-Shelf Unit	3
3	WKC1PM	Steel Partition Mounting Kit	1
4	RKPMLWB	Mounting Rail Kit	1
5	TA1WAD	4-Hook Bar w/ End Panel Adapter	2
1	SBIN120614	Snap In Bin	4
6	DK4810	Door Kit	1
7	19	2-Drawer Unit w/ Lock	2
8	DV14C1	Shelf Divider	8
9	DC6	3-Drawer Unit	2
10	CB5	5-Slot Literature Rack	1
11	BRK14EPS	Accessory Mounting Bracket for End Panels	1
2	DK4810	Door Kit	1
12	SBIN120614	Snap In Bin	4
13	WTR230150	Welded Tank Rack	1
14	RKAWTR	Welded Tank Rack Rail Adapter	1



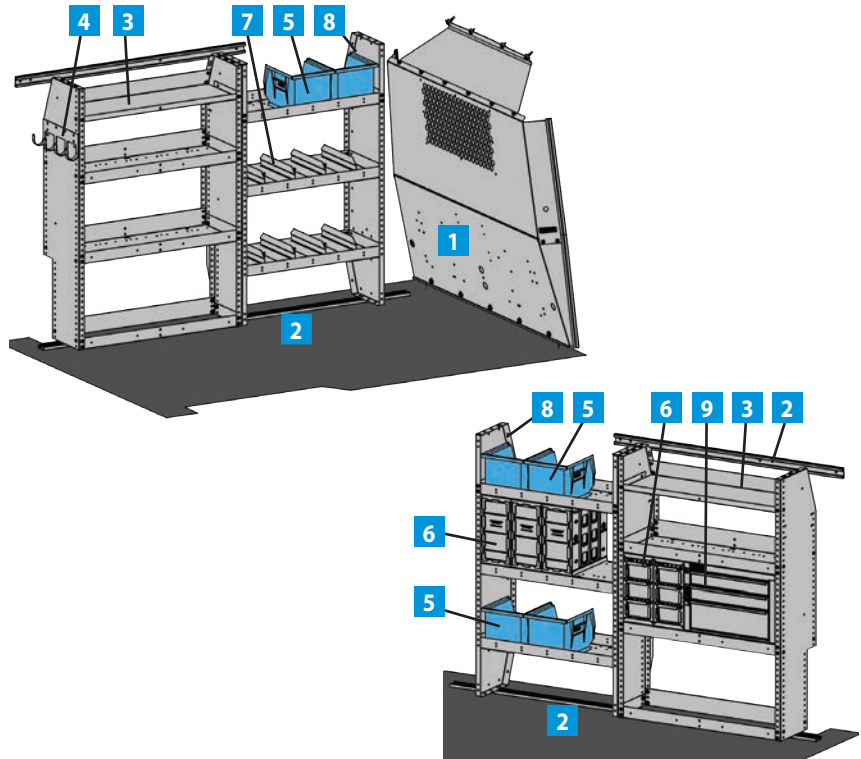
**5100PMC
GENERAL SERVICE STARTER PACKAGE
ProMaster City**

ITEM	MODEL	DESCRIPTION	QTY
1	P2PMCS15	Steel Partitoin w/ Visibility	1
2	RK72PMC	Mounting Rail Kit	2
3	AD32PMC	3-Shelf Unit	2
4	TA1	4-Hook Bar	1
5	SBIN060614	Snap In Bin	6
6	DC6	3-Drawer Unit	5
7	DV14C8	14" Shelf Dividers	1
8	AD28PMC	3-Shelf Unit	2
9	919	3-Drawer Unit w/ Lock	1



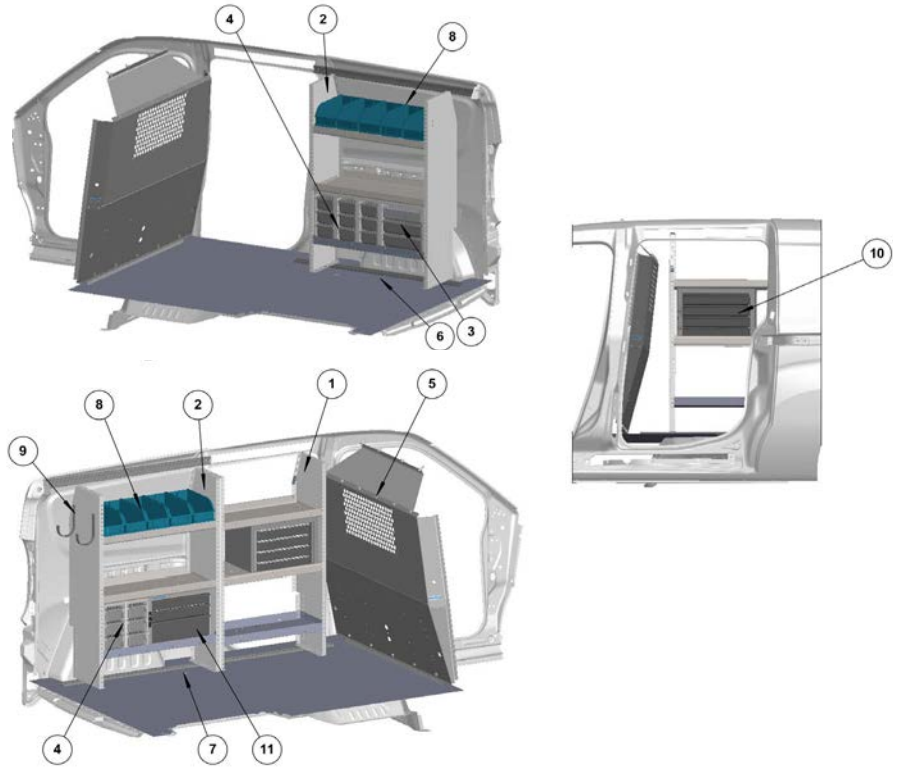
**5084PMC
GENERAL SERVICE STARTER PACKAGE
ProMaster City**

ITEM	MODEL	DESCRIPTION	QTY
1	P2PMCS15	Steel Partitoin w/ Visibility	1
2	RK72PMC	Mounting Rail Kit	2
3	HD32TC	3-Shelf Unit	2
4	TA1	4-Hook Bar	1
5	28	Parts Bin	6
6	DC6	3-Drawer Unit	5
7	DV12	Shelf Divider	8
8	HD-28NV2	3-Shelf Unit	2
9	919	3-Drawer Unit w/ Lock	1



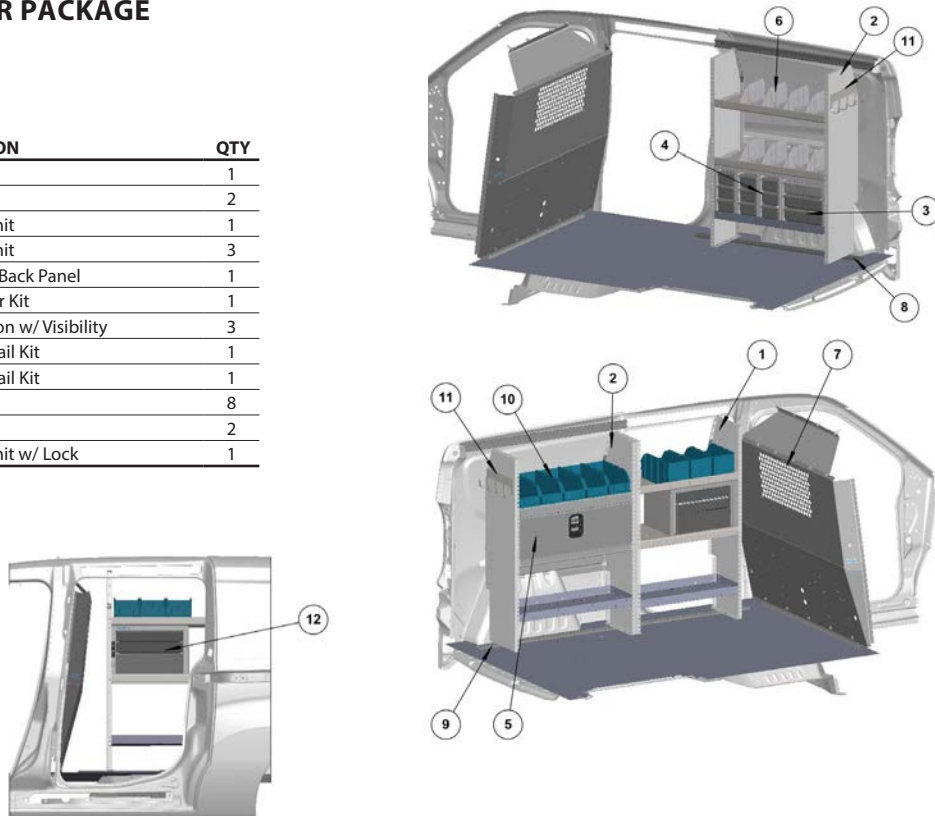
**5096PMC
PLUMBING STARTER PACKAGE
ProMaster City**

ITEM	MODEL	DESCRIPTION	QTY
1	AD28PMC	3-Shelf Unit	1
2	AD32PMC	3-Shelf Unit	2
3	DC12	3-Drawer Unit	1
4	DC6	3-Drawer Unit	5
5	P2PMCS15	Steel Partion w/ Visibility	1
6	RKPMC	Mounting Rail Kit	1
7	RK72PMC	Mounting Rail Kit	1
8	SBIN060614	Snap In Bin	10
9	UH50	Utility Hook	2
10	9	4-Drawer Unit w/ Lock	1
11	919	3-Drawer Unit w/ Lock	1



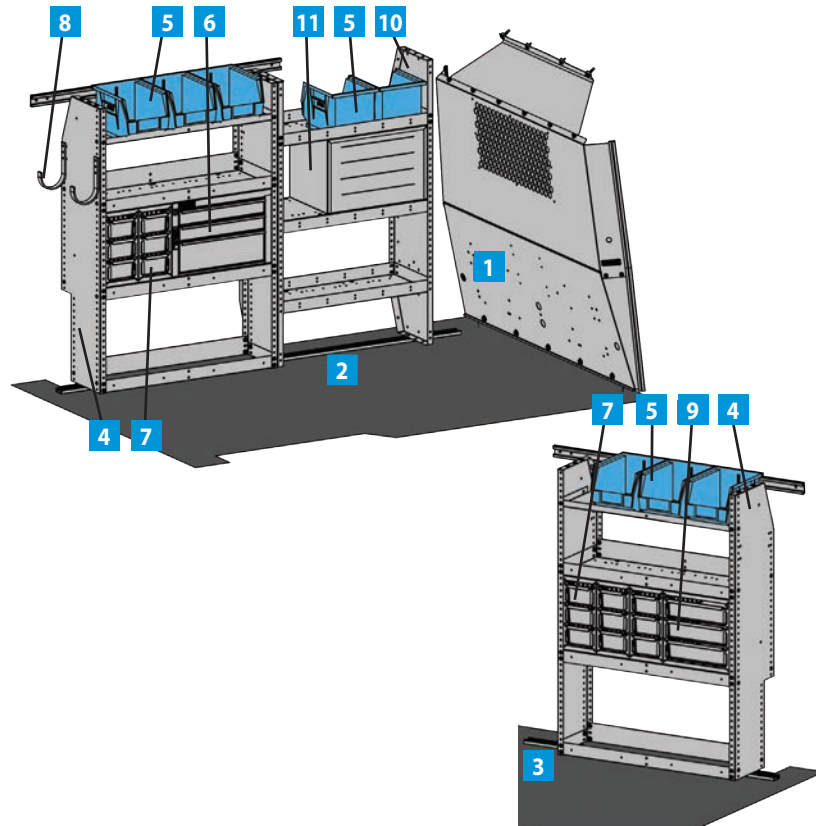
**5099PMC
ELECTRICAL STARTER PACKAGE
ProMaster City**

ITEM	MODEL	DESCRIPTION	QTY
1	AD28PMC	3-Shelf Unit	1
2	AD32PMC	3-Shelf Unit	2
3	DC12	3-Drawer Unit	1
4	DC6	3-Drawer Unit	3
5	DK32TC	Door Kit w/ Back Panel	1
6	DV14C8	Shelf Divider Kit	1
7	P2PMCS15	Steel Partion w/ Visibility	3
8	RKPMC	Mounting Rail Kit	1
9	RK72PMC	Mounting Rail Kit	1
10	SBIN060614	Snap In Bin	8
11	TA1	4-Hook Bar	2
12	919	3-Drawer Unit w/ Lock	1



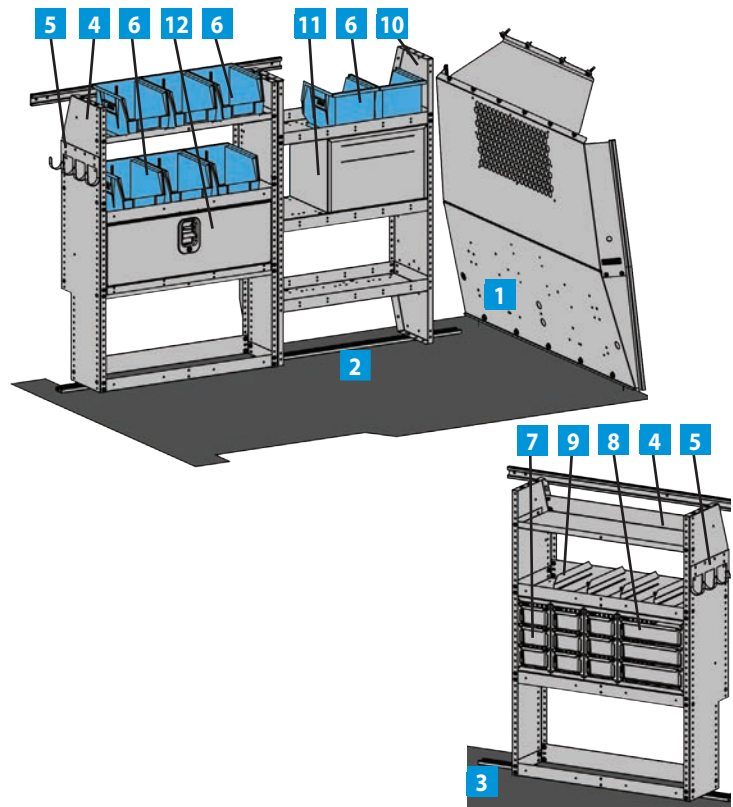
**5080PMC
PLUMBING STARTER PACKAGE
ProMaster City**

ITEM	MODEL	DESCRIPTION	QTY
1	P2PMCS15	Steel Partitoin w/ Visibility	1
2	RK72PMC	Mounting Rail Kit	1
3	RKPMC	Mounting Rail Kit	1
4	HD32TC	3-Shelf Unit	2
5	28	Parts Bin	8
6	919	3-Drawer Unit w/ Lock	1
7	DC6	3-Drawer Unit	5
8	UH50	Utility Hook	2
9	DC12	3-Drawer Unit	1
10	HD-28NV2	3-Shelf Unit	1
11	9	4-Drawer Unit w/ Lock	1



**5083PMC
ELECTRICAL STARTER
PACKAGE
ProMaster City**

ITEM	MODEL	DESCRIPTION	QTY
1	P2PMCS15	Steel Partitoin w/ Visibility	1
2	RK72PMC	Mounting Rail Kit	1
3	RKPMC	Mounting Rail Kit	1
4	HD32TC	3-Shelf Unit	2
5	TA1	4-Hook Bar	2
6	28	Parts Bin	8
7	DC6	3-Drawer Unit	3
8	DC12	3-Drawer Unit	1
9	DV12	Shelf Divider	4
10	HD-28NV2	3-Shelf Unit	1
11	919	3-Drawer Unit w/ Lock	1
12	DK32TC	Door Kit	1



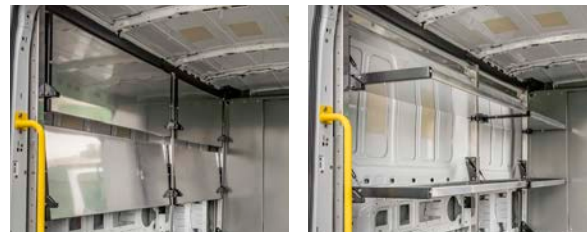


A SAFER, MORE EFFICIENT LAST MILE LIFESTYLE



Sliding Partition

- Easy open door with quick access to cargo area.
- Reduces climbing in and out of the van by half.
- Barrier that helps protect the occupants from shifting cargo



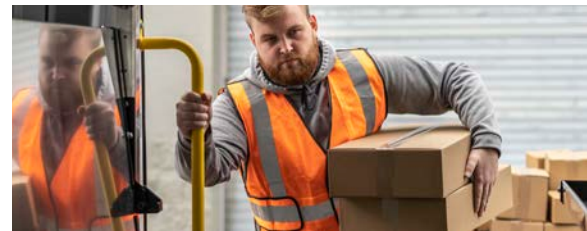
Folding Shelves

- Flexible storage for a variety of package sizes
- Strong lightweight aluminum shelves to maximize payload
- Gas struts quiet the shelving while reducing strain of moving shelves up or down.
- 20" deep with 2" lip and available in 36", 48", 60" and 72" lengths



Steps (Rear & Side Doors)

- Slip resistant platform for sure footing.
- Grated platform allows dirt and water to drain through preventing build-up.
- Safely enter/exit van with steps that reduces height to climb in out of the van.



Grab Handles (Rear & Side Doors)

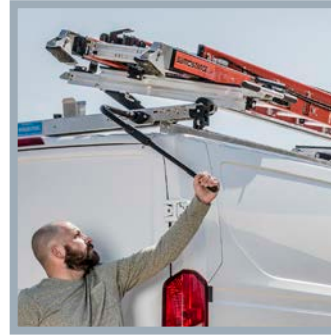
- Helps maintains balance when entering/leaving the vehicle
- Reduces fatigue of climbing in and out of the vehicle
- Point on contact in case of slip trip or fall

MODEL	PAGE	DESCRIPTION	MODEL	PAGE	DESCRIPTION	MODEL	PAGE	DESCRIPTION
ACT3	12	3-Place Aerosol Can Holder	S1M2HC2PM	4	Steel Partition Panel Kit w/ Visibility & Door Kit	89-PM159	12	Composite Floor
ACT4	12	4-Place Aerosol Can Holder	SBIN060614	11	Snap In Bin	919	10	3-Drawer Unit w/ Lock
AD28PMC	8	3-Shelf Unit	SBIN120614	11	Snap In Bin	5080PMC	27	Plumbing Starter Package
AD32PMC	8	3-Shelf Unit	SBINDIV	11	Snap In Bin Divider	5083PMC	27	Electrical Starter Package
BH4	11	4-Slot Literature Rack	TA1	6	4-Hook Bar	5084PMC	25	General Service Starter Package
BRK14EPS	8	End Panel Mounting Bracket	TA2	6	Hard Hat Holder	5096PMC	26	Plumbing Starter Package
CB5	11	5-Slot Literature Rack	TA19	9	Compressed Gas Tank Cabinet	5099PMC	26	Electrical Starter Package
CB7	11	7-Slot Literature Rack	TH30	6	Tank Holder	5100PMC	25	Gen Svc Pkg Pro City
CCDLTH	4	Center Console Laptop Holder	TH50	6	Tank Holder	5180	22	General Service Starter Package
CCDHF10	4	Center Console Hanging File	UH10	12	Utility Hook	5181	22	Electrical Starter Package
CH-1514DBL	13	2-Case Holder w/ Cases	UH25	12	Utility Hook	5184	23	HVAC Starter Package
CH-EP	13	3-Case Holder w/ Cases	UH50	12	Utility Hook	5185	24	General Service Starter Package
CH1514SGL	13	Single Case Holder w/ Case	VMA36	12	Vice Mount Assembly	5186	24	Electrical Starter Package
CHPPC4S	13	4-Case Holder w/ Cases	WKC1PM	4	Steel Partition Mounting Kit	5189	24	HVAC Starter Package
CHPPC5SM	13	5-Case Holder w/ Cases	WKC1PM3	4	Steel Partition Mounting Kit	5274	23	Locksmith Starter Package
CL1446R	9	Adjustable 3-Shelf Cabinet w/ Lock	WKC1PMR	4	Steel Partition Retro Mounting Kit	5462	21	General Service Starter Package
DC6	10	3-Drawer Unit	WKC1PMR3	4	Steel Partition Retro Mounting Kit	5463	21	Electrical Starter Package
DC12	10	3-Drawer Unit	WRH5	12	5-Bar Spool Holder	5466	20	HVAC Starter Package
DK3010	8	Door Kit	1	8	Adjustable Single Shelf Cabinet w/Lock	5467	23	Locksmith Starter Package
DK4208	8	Door Kit w/ Open Back	1A	9	Cabinet Shelf	35325-G	8	32" ADseries Add-on Shelf
DK4210	8	Door Kit w/ Open Back	2	9	4-Drawer Unit	35327-G	8	44" ADseries Add-on Shelf
DK4810	8	Door Kit	2B4W	18	2-Bar w/ 4" Uprights	35328-G	8	50" ADseries Add-on Shelf
DST21	12	Door Storage Tray	2B6W	18	2-Bar w/ 6" Uprights			
DT21	12	Door Tray	2B9W	18	2-Bar w/ 9" Uprights			
DTL21	12	Door Tray Lid	3B4W	18	3-Bar w/ 4" Uprights			
DTWL21	12	Door Tray w/ Latching Lid	3B6W	18	3-Bar w/ 6" Uprights			
DV12	7	Shelf Divider	3B9R9W	18	3-Bar w/ 9" & 9" Ratchet Uprights			
DV14	7	Shelf Divider	3B6RRPMW	18	3-Bar w/ 6" Uprights & Rear Roller			
DV14C1	7	Shelf Divider	4B	12	Parts Tray			
DV14C8	7	14" Shelf Dividers	8	10	3-Drawer Unit			
HAD4459	6,7	Hybrid 4-Shelf Unit	9	10	4-Drawer Unit w/ Lock			
HAD5059	6,7	HAD Shelf 50"	12	9	Adjustable Single Shelf Cabinet w/Lock			
HD32TC	7	3-Shelf Unit	12A	9	Cabinet End Panel			
HD4459	7	4-Shelf Unit	14	11	Step Stool			
HD5059	7	4-Shelf Unit	17A	10	6-Shelf Catalog File			
HD-28NV2	7	3-Shelf Unit	19	10	2-Drawer Unit w/ Lock			
ILR	20	Ladder Holder	26	10	Drawer Divider Assembly			
JD42FP	7	3-Shelf Unit	27	10	Drawer Divider Assembly			
JD52FP	7	3-Shelf Unit	43	10	3-Shelf Literature Rack			
JD48FP	7	2-Shelf Unit	60-129	12	Rear Door Security Screen			
JD60FP	7	3-Shelf Unit	60-131	12	Passenger Side Sliding Door Security Screen			
P2PMCFW15	6	Wire Partition	60-PM-MLXW	12	Security Screen Kit			
P2PMCS15	6	Steel Partitoin w/ Visibility	60-PM-SWB	12	Window Screen			
PA10	6	File Holder	60-PMCRD	12	Rear Doors Security Screen Kit			
PA5-SPR	6	Partition Climate Control Kit	60-PMCS	12	Side Sliding Doors Security Screen Kit			
PA7	6	Reflector Kit w/ Bracket	61-PMC	15	Single Grip Lock Ladder Rack			
PA8	6	Fire Extinguisher	63-PMC	15	Double Grip Lock Ladder Rack			
PA9	6	First Aid Tray	70-1NGLR	17	4" End Cap for PVC Conduit			
PDK1	6	Steel Partition Door Kit	70-2NGLR	17	6" End Cap for PVC Conduit			
PMCMBK4W	18	Mounting Brackets, 4-Pack	80-1NGLR	17	10'6" Conduit Kit			
PMCMBK2W	18	Mounting Brackets, 2-Pack	80-2NGLR	17	12'6" Conduit Kit			
PMMBK4W	18	Mounting Brackets, 4-Pack	80-1	14	Conduit Kit			
PMMBK2W	18	Mounting Brackets, 2-Pack	80-2	14	Conduit Kit			
PPCL	13	Large Portable Parts Case	88-118PM	12	Workmat Kit			
PPCS	13	Small Portable Parts Case	88-136PM	12	Workmat Kit			
RKA1	8	Rail Kit Adapter	88-159EXPM	12	Workmat Kit			
RKA3	8	Rail Kit Adapter	88-159PM	12	Workmat Kit			
RKA4	8	Rail Kit Adapter	89-PM136	12	Composite Floor			
RKA919	8	Drawer Riser Kit						
RK72PMC	8	Mounting Rail Kit						
RKPMC	8	Mounting Rail Kit						
RKPMLWB	8	Mounting Rail Kit						
RKPMMWB	8	Mounting Rail Kit						
RKPMXLWB	8	Mounting Rail Kit						
RKPSWB	8	Rail Kit 118" WB PM						
S1M1C1PM	4	Steel Partition Panel Kit						
S1M2C2PM	4	Steel Partition Panel Kit w/ Visibility						



ADRIAN STEEL®

Cargo Management Solutions for Commercial Vehicles



QUALITY

- Our products are durable and reliable. Warranty claims are less than 1% of sales.
- Our warranty covers our products for three years or 36,000 miles.

INNOVATIVE PRODUCTS WITH FEATURES THAT MATTER

- Drawers that stay closed while in transit.
- ADseries truly adjustable shelving platform.
- Drop Down and Grip Lock ladder racks that load and unload the safe and right way.
- Interior ladder storage.
- Plug and Play accessories.
- Anti-slam drawer latches, and much more!

COMMITMENT

At Adrian Steel, we are committed to you beyond the upfit!

- A dedicated Customer Care Team at corporate headquarters.
- A network of highly qualified distributors to support you locally.
- Our commitment to provide the best cargo management solutions in North America.



EXPERIENCE

- **Over One Million vans upfitted**, and counting! It's a fact that an organized vehicle increases work flow efficiencies and reduces inventory damages.
- Recognized as a National Truck Equipment Association MVP.

SERVICE

- Adrian Steel Products can be purchased throughout North America at authorized Adrian Steel distributors.
- Adrian Steel Customer Service Representatives are available M-F, 8am - 5pm EST at **1-800-677-2726**.
- E-mail us at info@adriansteel.com with questions, comments and feedback.
- Visit AdrianSteel.com for the most up-to-date product information, distributor locator, product catalogs, videos and more.

adriansteel.com

800-677-2726

906 James St.
Adrian, MI 49221