



ADRIAN STEEL®

Cargo Management Solutions for Commercial Vehicles



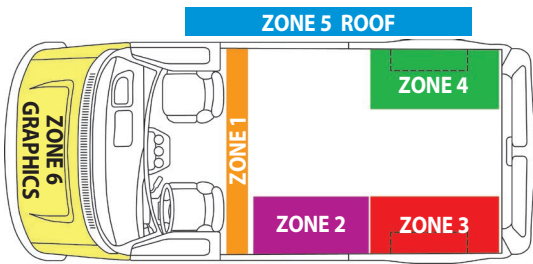
**TRANSIT & TRANSIT CONNECT
PRODUCT CATALOG**



PROUDLY ENGINEERED AND MANUFACTURED IN ADRIAN, MICHIGAN.

Our goal is to make work safer and more efficient for vehicle operators. We do this through customized upfits and ergonomic products that reduce inefficiencies and risk of injury.

Built for hard workers, our products are specifically designed to stand the test of time, in all climates, to provide reliable functionality for the life of the vehicle. At only less than 1% quality claims annually, we take pride in providing you the best American-Made products on the market backed by our 3-year/36,000 mile warranty.



Need some help?
Contact your local distributor!
They can provide a wealth of information about utilizing the cargo space in your work van.
Find your local distributor online at adriansteel.com.

Plan Your Van

ZONE 1 PARTITION

- Choose between a Steel, Wire or Composite for the Transit and Transit Connect.

ZONES 2, 3, 4 CURBSIDE & STREETSIDE

- Use layout diagrams to determine the amount of space available.
- Choose from a variety of shelving units and modules that will best organize the tools and equipment you need to carry.
- Or, choose a Work Ready Upfit, complete with a trade specific, pre-designed interior and custom graphics package.

ZONE 5 ROOF

- What do you need to carry?
- Choose from Drop Down, Grip-Lock, and Utility racks.
- Add rack accessories including step ladder kits, ratchet straps, conduit carriers and more.

ZONE 6 VEHICLE GRAPHICS

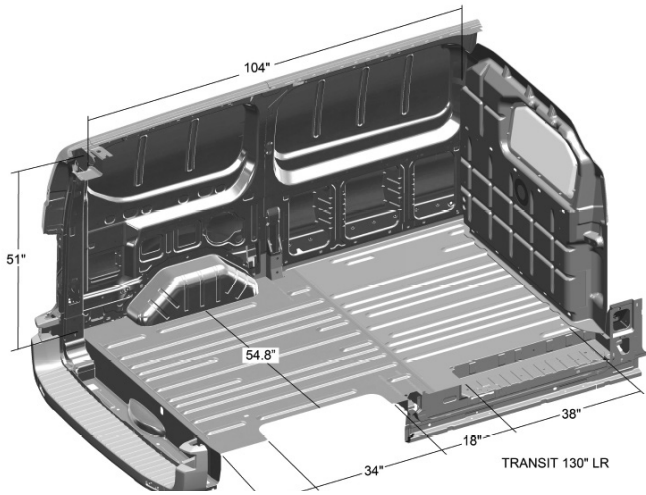
- Stand out in the crowd!
- Vehicle graphics are the most cost effective form of advertising!

ADDITIONAL STORAGE

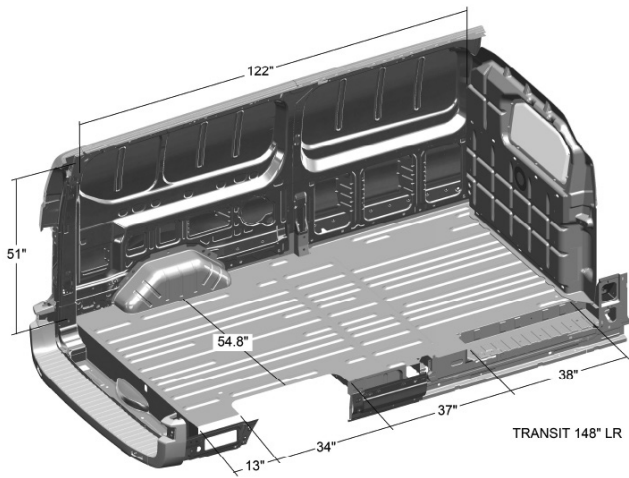
- Determine the space needed for specialty equipment.
- Add accessories to shelving and partition
- Hooks, drawers, files, screens, and more.

Transit Low Roof 130" WB

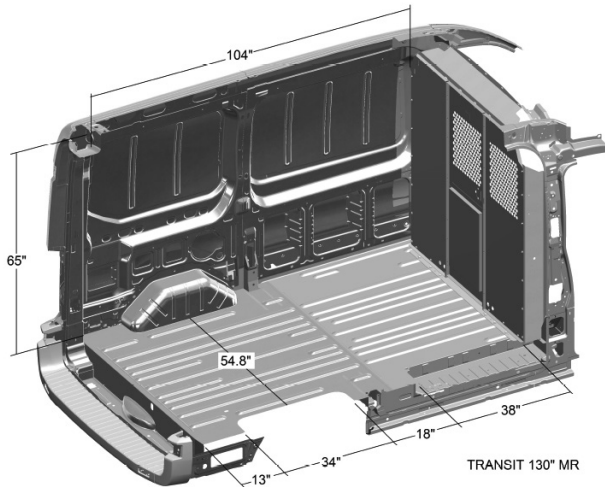
Notes



Transit Low Roof 148" WB



Transit Mid Roof 130" WB



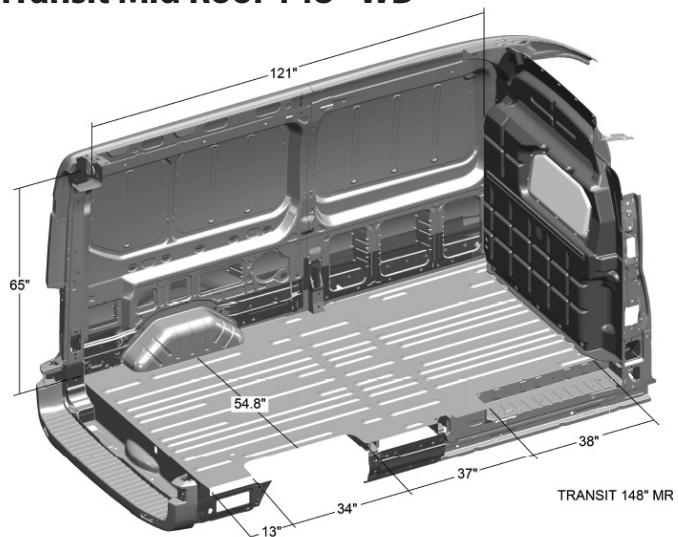
Note: Dimensions for reference only. Measure your van or contact your distributor for your exact needs.

All illustrations, photos and specifications in this publication are based on the latest product information available at the time of content approval.

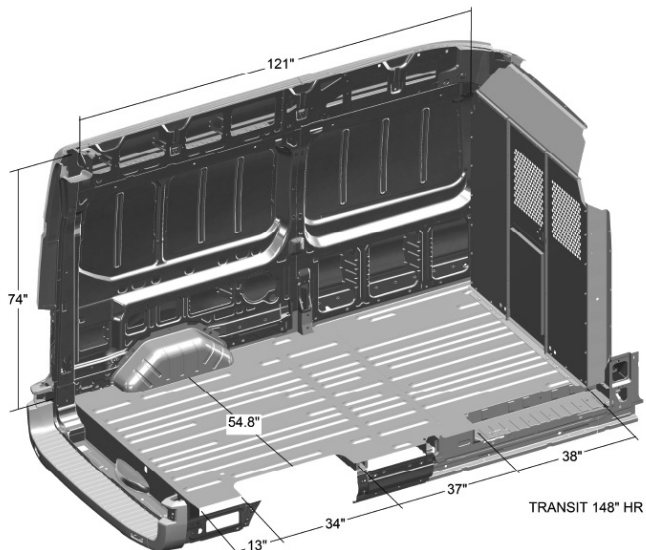
The right is reserved to make changes at any time, without notice, in materials, specifications and models, and also to discontinue models.

Transit Mid Roof 148" WB

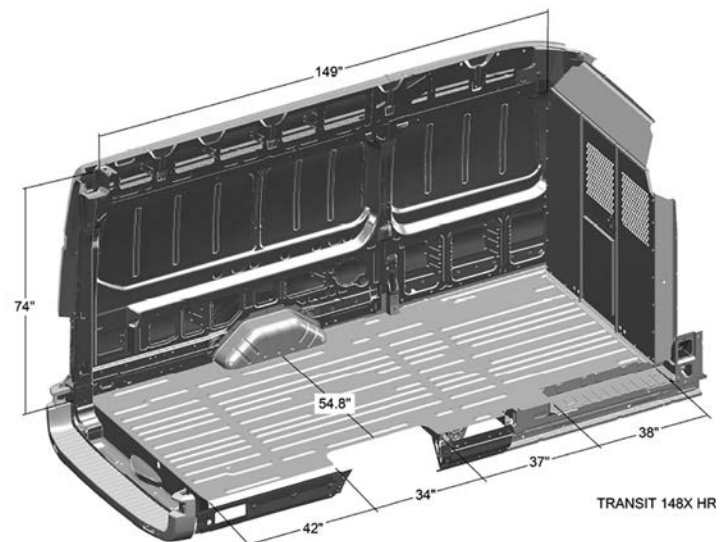
Notes



Transit High Roof 148" WB

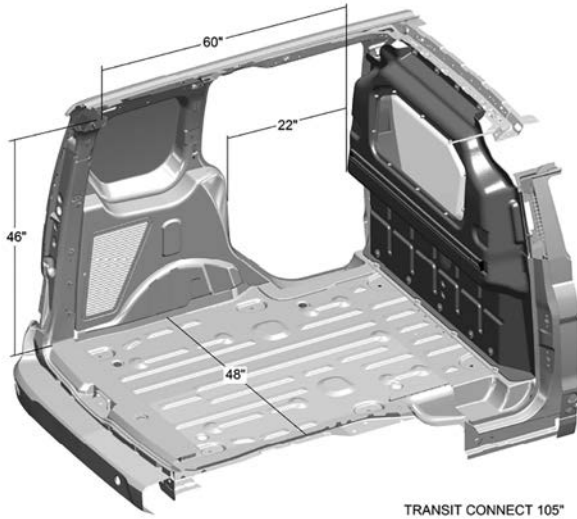


Transit High Roof 148" Extended WB



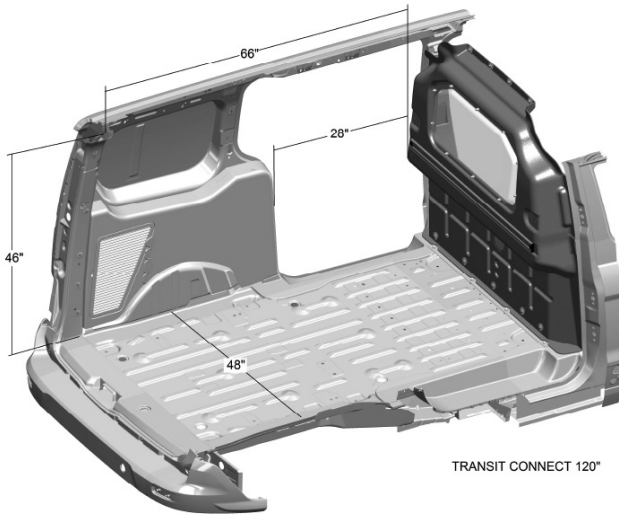
Transit Connect 105" WB

Notes



TRANSIT CONNECT 105"

Transit Connect 120" WB



TRANSIT CONNECT 120"

Note: Dimensions for reference only. Measure your van or contact your distributor for your exact needs.

All illustrations, photos and specifications in this publication are based on the latest product information available at the time of content approval.

The right is reserved to make changes at any time, without notice, in materials, specifications and models, and also to discontinue models.

FOR A MORE COMFORTABLE MOBILE OFFICE

Your mobile office is now more comfortable with an Adrian Steel composite partition. Sound deadening reduces driver distractions. Climate control reduces vehicle idle time for warm up and cool down. Generous leg room for less stress behind the wheel. The integrated steel frame provides the same level of performance that you are accustomed to from Adrian Steel.



Organize – Partitions are great location to hang your cargo. Easily add safety items like fire extinguishers and first aid kits, or hooks to hang your extension cords or hoses. Additional accessory kits are available to customize your Adrian Steel composite partition even more.

Sound Deadening
Reduce the harshness of the cargo noise entering the cab area. This reduces driver distractions and makes for a quieter environment to communicate when driving.

Leg Room – Full seat travel and a comfortable recline angle makes the composite partition our most comfortable line of partitions we sell.

Climate Control
Quickly cool down or heat up the cab area of the cargo van, reduce idle time doing so and save fuel!

- Available with or without a clear poly rear-view window.
- Add hooks along the integrated AD rail.
- Features a mounting location by the door for a fire extinguisher (not included.)



PARFTM-NW



PARFTH

Low Roof

PARFTL2 - Composite Partition w/ Visibility

PARFTL2-NW - Composite Partition

UH50RM1 - Accessory Hooks

Mid Roof

PARFTM2 Composite Partition w/ Visibility

PARFTM2-NW Composite Partition

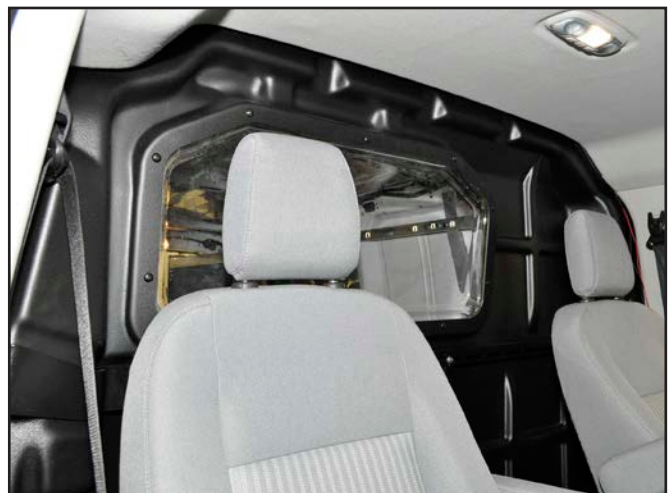
UH50RM1 - Accessory Hooks

High Roof

PARFTH2 Composite Partition w/ Visibility

PARFTH2-NW Composite Partition

UH50RM1 - Accessory Hooks



STEEL S-M-C PARTITION FOR MEDIUM & HIGH ROOF TRANSIT



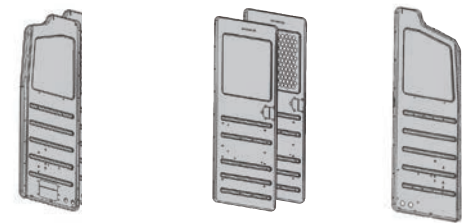
MEDIUM ROOF PARTITION



HIGH ROOF PARTITION

Steel partitions are sold as panel kits and wing kits. Please see application chart to confirm the appropriate panel kit and wing kit for your vehicle.

MODEL	DESCRIPTION
LOW ROOF	FIXED CENTER PANEL
S1M1C1FSV	Solid panels
S1M2C2FSV	Center and Curb panels perforated
LOW ROOF	HINGED CENTER PANEL "DOOR"
S1M1HC2FSV	Solid panels
S1M2HC2FSV	Center and Curb panels perforated
MED/HIGH ROOF	FIXED CENTER PANEL
S1M1C1PM	Solid panels
S1M2C2PM	Center and Curb panels perforated
MED/HIGH ROOF	HINGED CENTER PANEL "DOOR"
S1M1HC2PM	Solid panels
S1M2HC2PM	Center and Curb panels perforated
PARTITION WING KITS	
WKC1FDTS2	Steel Partition Mounting Kit - Low Roof
WKC1FDTM2	Steel Partition Mounting Kit - Mid Roof
WKC1FDTH2	Steel Partition Mounting Kit - High Roof



S1 - Solid

Mounts behind driver seat.

M1 - Solid
M2 - Perforated
Center panel.
Also available as a hinged door.

C1 - Solid
Mounts behind passenger seat.

SLIDING DOOR PARTITION FOR MEDIUM & HIGH ROOF TRANSIT



PART NUMBER:	VEHICLE
SPARFTM2	Transit Mid Roof
SPARFTH2	Transit High Roof

Boost Efficiency

If you access your cargo area frequently during your workday, the sliding door partition can cut the number of trips you take in and out of your vehicle in half, saving you time and energy.

Reduced Driver Fatigue

By reducing the number of trips needed to get in and out of the vehicle by half, the driver will save energy by not having to climb in and out of the vehicle all of those extra times.

Driver Protection

Barrier that separates the cargo area from cab area and helps protect the occupants in the cab from shifting cargo when the vehicle is in operation.

Theft Protection

With an optional locking handle, you can sleep better at night knowing the tools, consumables and/or packages in the back of your vehicle are secure.

Maximum Cargo Space

Enjoy the ability to access your cargo area quickly without losing valuable cargo space. The sliding door operates on the cab-side of the vehicle giving you full use of the space in the back of your van.





TA1 4-Hook Bar 2" x 12" bar mounts to partition or shelving. Four welded hooks with 2" hanger opening.

PDK1 Steel Partition Door Kit converts M-Series fixed center panel into hinged door with keyed slam latch. Includes two 6" hinges, bulb seal and a slam latch that reduce vibration noise. (Not available for the Transit Connect)



PA9 First Aid Tray secures first aid box. Measures: 11"W, 4-1/2"H, 3-1/8" D

PA7 Reflector Kit w/ Bracket Includes reflector kit with metal pocket holder, I.C.C. approved.



PA8 Fire Extinguisher is a rechargeable, 2-1/2 lb. dry chemical extinguisher. Stops Class A, B and C fires. Complete with charge gauge and mounting bracket.

PA10 File Holder Organizes paperwork. Measures: 12"W, 7"H, 5"D.

TH30 or TH50 Tank Holder holds 30lb. or 50lb. tank to partition or other vertical surface.

Partition Climate Control Kit (not shown) install over the perforations of the partition to help with climate control in the cab.

Low roof: **PA5-1**: S panel, **PA5-2**: M panel, **PA5-6**: C panel

Med & High roof: **PA5-SPR**: S or M or C panels.

Partitions

Transit Connect

COMPOSITE PARTITION FOR TRANSIT CONNECT

Your Transit Connect mobile office is now more comfortable with an Adrian Steel composite partition. Sound deadening reduces driver distractions. Climate control reduces vehicle idle time for warm up and cool down. Generous leg room for less stress behind the wheel. The integrated steel frame provides the same level of performance that you are accustomed to from Adrian Steel.

PARTC - Composite Partition w/ Visibility

PARTC-NW - Composite Partition

UH50RM1 - Accessory Hooks

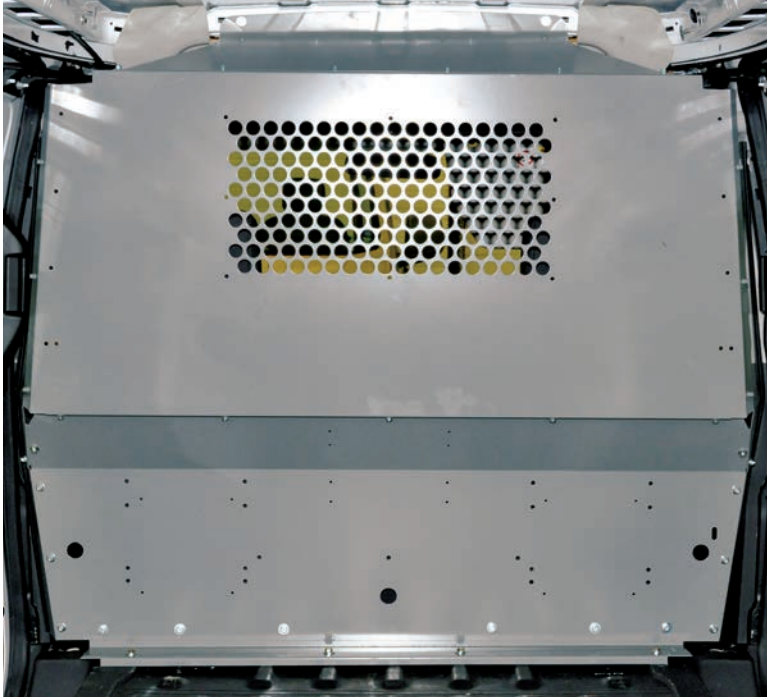
- Better Climate Control (than perforated partitions.)
- Reduces noise from the cargo area.
- Available with or without a clear poly rear-view window.
- Add hooks along the integrated AD rail.
- Mounting location by the door for a fire extinguisher (not included.)



STEEL PARTITION W/ VISIBILITY

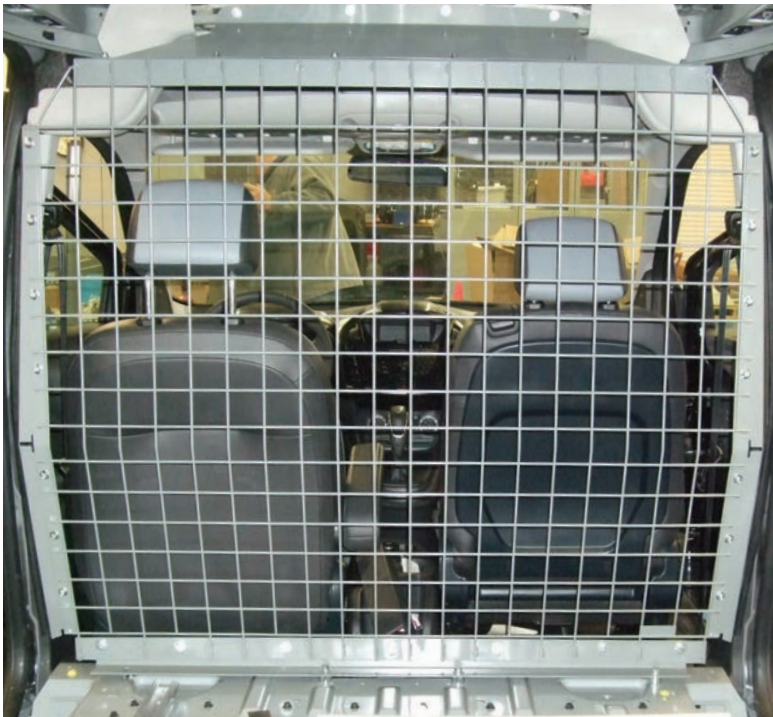
The **P2TCS14** features all steel panels that safeguard the cab area against moving and shifting cargo. The recessed design allows for maximum adjust-ability of the front seats and provides storage space for a 6 foot step ladder in the back of the LWB Transit Connect. The perforated window allows for visibility of your cargo area and rear windows while the solid steel construction provides better climate control and sound deadening. The steel header and full perimeter wings provide optimal security. Fits 2014 and newer Transit Connect.

PA5-TC14 - Climate Control Panel Kit



WIRE PARTITION

The **P2TCFW14** provides maximum visibility while safeguarding your van cab area against moving and shifting cargo. The recessed design allows for maximum adjust-ability of the front seats and provides storage space for a 6 foot step ladder in the back of the LWB Transit Connect. The **P2TCFW14** is lightweight and economical without sacrificing safety and security. Fits 2014 and newer Transit Connect.



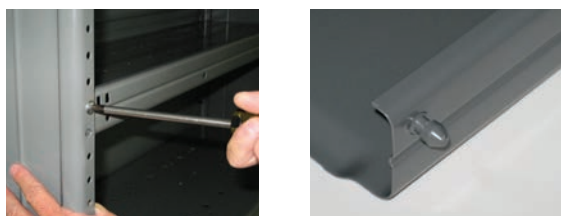


ADJUSTABLE SERIES (AD)

Available for Transit Low, Mid, High Roof & Transit Connect

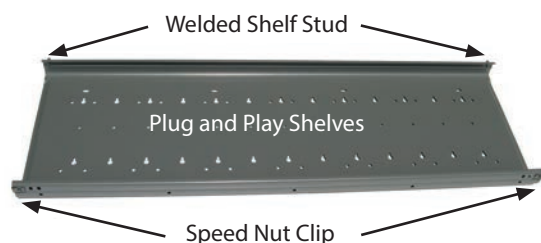
Tools, equipment and cargo come in all shapes and sizes. Until now, there hasn't been a shelving unit that is truly adjustable. The ADseries can be adjusted with a screwdriver in a matter of minutes. Simply remove the front shelf bolts and move the shelf where you need it.

All Shelves: Lip up 100 lbs or Lip Down 200 lbs. capacity each when evenly distributed.



TRULY ADJUSTABLE SHELVES

All you need is a Phillips head screwdriver! The unique shelf design features rear shelf studs that lock the shelves in place and speed nut clips that allow you to attach bolt on easily! Simply remove two bolts from the speed nut clips at the front lip of the shelf, tilt the shelf upwards to disengage the rear studs, move the shelf to your desired location, insert the rear shelf studs, reattach the bolts and you're done!



ADD ACCESSORIES

Businesses change over time and your van interior should be able to change with your needs. Plug and Play shelves have prepunched holes that allow adding storage solutions easily! ADseries dividers simply snap in place, drawer units and door kits simply bolt into place. Many Adrian Steel accessories can be added to the ADseries shelving with the rail adapter kits and end panel brackets.

MODEL	SIZE	DESCRIPTION
AD32FP	32"W x 46"H x 14"D	fits low roof Transit
AD44FP	44"W x 46"H x 14"D	fits low roof Transit
AD50FP	50"W x 46"H x 14"D	fits low roof Transit
AD1226TC14	26"W x 44"H x 12"D	fits 14-on Transit Connect
AD1426TC14	26"W x 44"H x 14"D	fits 14-on Transit Connect
AD1232TC14	32"W x 44"H x 12"D	fits 14-on Transit Connect
AD1432TC14	32"W x 44"H x 14"D	fits 14-on Transit Connect
RK130FTS	130"WB Rail Kit,	Mounting Rail Kit
RK148FTS	148"WB Rail Kit	Mounting Rail Kit
RK130FTM	130"WB Rail Kit	Mounting Rail Kit
RK148FTM	148"WB Rail Kit	Mounting Rail Kit
RK148FTH	148"WB Rail Kit	Mounting Rail Kit
RKTC14	Mounting Rail Kit	fits 14-on Tr. Connect SWB, LWB
RKDTC14	Mounting Rail Kit	fits 14-on Tr. Connect LWB

MODEL	SIZE/DESCRIPTION
DV14C1	Shelf Divider
DV14C8	14" Shelf Dividers
DV12AD	Shelf Divider
DV14	Shelf Divider
DK26TC	Door Kit
DK32TC	Door Kit
DK3010	Door Kit
DK4208	Door Kit w/ Open Back
DK4210	Door Kit w/ Open Back
DK4810	Door Kit
BRK14EPS	End Panel Mounting Bracket
RKA1	Rail Kit Adapter/See list at right
RKA3	Rail Kit Adapter3/See list at right
RKA4	Rail Kit Adapter4/See list at right
RKAWTR	Welded Tank Rack Rail Adapter
RKA919	Drawer Riser Kit
35325-G	32" Long Shelf
35327-G	44" Long Shelf
35328-G	50" Long Shelf

RKA3 – Rail Adapter Kit3
Use with: #1, #12, #2, #8, DC Units, 17A, TA19, TA5

RKA4 – Rail Adapter Kit4
Use with: 17A, CB5, 43, TA19, WRH5, UH10/50, PA9, PA8, Shelving Units, #33W, JD Shelving

BRK14EPS – End Panel Mounting Bracket
Use with: 17A, CB5, 43, TA19, WRH5, UH10/50, PA9, PA8, ACT3/4, PA7, TH30, TH50, TA5

Note: Rails are not included with the shelf units. Rail kits must be ordered separately.

Note: Shelves have the following weight ratings:

- Shelves positioned with the shelf lip facing up have a rating of 100 lbs. per shelf evenly distributed.
- Shelves positioned with the shelf lip facing down have a rating of 200 lbs. per shelf evenly distributed.



HYBRID ADJUSTABLE SERIES (HAD)

Available for Transit Mid, High Roof

The HAD shelving units feature two ADseries adjustable shelves in the center of the shelf unit, and standard bolt-in shelves on the top and bottom. The center two shelves feature a 2" lip and can easily be adjusted up or down in one-inch increments with merely a screwdriver.

1" Lip Top Shelf: 75 lbs. capacity. **Middle "AD" Shelves:** Lip up 100 lbs or Lip Down 200 lbs. capacity each when evenly distributed.

Bottom Shelf: 125 lbs.

MODEL	OVERALL SIZE
HAD3259	32" x 59" x 14"
HAD4459	44" x 59" x 14"
HAD5059	50" x 59" x 14"



HEAVY DUTY SERIES (HD)

Available for Transit Mid, High Roof

The HD shelving units feature adjustable shelves with bolts in the front and the rear of the shelving unit. They have two 4" lip shelves that are ideal for keeping your cargo contained and off the floor. The top of the unit has a 2" shelf lip that is perfect for containing smaller, lighter items.

1" Lip Top Shelf: 75 lbs. capacity

4" Lip Shelves: 220 lbs. capacity each when evenly distributed.

MODEL	OVERALL SIZE
HD4459	44" x 59" x 14"
HD5059	50" x 59" x 14"



JUMBO DEEP SERIES (JD)

Available for Transit Low

The JD Series is our deepest shelf unit available. They have reinforced shelf bottoms for added strength and 4" high shelf fronts to contain your items.

1" Lip Top Shelf (when applicable): 75 lbs. capacity.

4" Lip Shelves: 290 lbs. capacity each when evenly distributed.

MODEL	OVERALL SIZE
JD42FP	42"W x 46"H x 18"D
JD52FP	52"W x 46"H x 18"D
JD48FP	48"W x 48"H x 24"D
JD60FP	60"W x 48"H x 24"D

WELDED SERIES

Available for Full-Size & Compact Vans

The 44 Series Welded Shelving feature welded shelves, back panels and end panels.

All Shelves: 125 lbs. evenly distributed.



MODEL	OVERALL SIZE
4432	32"W x 14"D x 46"H
4442	42"W x 14"D x 46"H
4450	50"W x 14"D x 46"H

ACCESSORIES	
DV44U1	Top Shelf Divider (single)
DV44U4	Top Shelf Divider Kit (4 pack)
DV44U	Top Shelf Divider Kit (8 pack)
DV44L1	Lower Shelf Divider (single)
DV44L4	Lower Shelf Divider Kit (4 pack)
DK532	Door Kit w/ Back Panel
DK544	Door Kit
DK550	Door Kit
28	Parts Bin



16" DEEP SHELVING

Available for Transit Low, Mid, High Roof

We took our Heavy-Duty Series of shelving to the next level with our 16" Deep Shelving. Enjoy more storage capacity without sacrificing aisle space with the increased shelf depth and contoured end panel design. You can safely contain wire and cable boxes, commercial storage cases, job-site consumables, and more.

12"(LR) or 13"(MR-HR) Top Shelf: 75 lbs.

Mid/Bottom Shelves: 125 lbs. when evenly distributed.

SOLID END PANELS

Ford Transit Low Roof

HD-1632TL	32"W x 50"H x 16"D
HD-1640TL	40"W x 50"H x 16"D
HD-1644TL	44"W x 50"H x 16"D
HD-1650TL	50"W x 50"H x 16"D
HD-1660TL	60"W x 50"H x 16"D

Transit Mid & High Roof

HD-1632HR	32"W x 63"H x 16"D
HD-1640HR	40"W x 63"H x 16"D
HD-1644HR	44"W x 63"H x 16"D
HD-1650HR	50"W x 63"H x 16"D
HD-1660HR	60"W x 63"H x 16"D

CONDUIT CUTOUT END PANELS

Ford Transit Low Roof

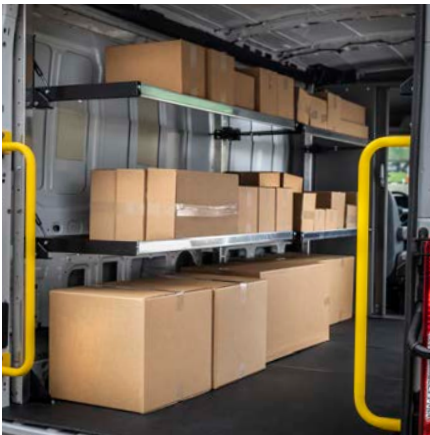
HD-1632TLC	32"W x 50"H x 16"D
HD-1640TLC	40"W x 50"H x 16"D
HD-1644TLC	44"W x 50"H x 16"D
HD-1650TLC	50"W x 50"H x 16"D
HD-1660TLC	60"W x 50"H x 16"D

Transit Mid & High Roof

HD-1632HR	32"W x 63"H x 16"D
HD-1640HR	40"W x 63"H x 16"D
HD-1644HR	44"W x 63"H x 16"D
HD-1650HR	50"W x 63"H x 16"D
HD-1660HR	60"W x 63"H x 16"D

Accessories

PT32	32" Wheel-well Pipe Tray	32"W x 4"H x 8"D
PT40	40" Wheel-well Pipe Tray	40"W x 4"H x 8"D
PT44	44" Wheel-well Pipe Tray	44"W x 4"H x 8"D
PT50	50" Wheel-well Pipe Tray	50"W x 4"H x 8"D
PT55	55" Wheel-well Pipe Tray	55"W x 4"H x 8"D
PT60	60" Wheel-well Pipe Tray	60"W x 4"H x 8"D
80-FSV	10' Under-shelf Conduit Tray	63.25"W X 5.8"H X 6.3"D



FOLDING SHELVING

Available for Transit Mid & High Roof

If you need carry a variety of cargo or what you carry changes frequently, the folding shelf system will accommodate whatever your day might have in store for you. These systems are lightweight and durable giving you maximum payload capability without sacrificing quality.

All Shelves: 250 lbs. evenly distributed.

SHELVING UNITS

62425	36W x 63.75H x 20"D
62371	48W x 63.75H x 20"D
62372	60W x 63.75H x 20"D
62373	72W x 63.75H x 20"D

ADD-ON KITS

63670	36W x 63.75H x 20"D
62409	48W x 63.75H x 20"D
62410	60W x 63.75H x 20"D
62411	72W x 63.75H x 20"D

COMPONENTS

FSFMKFT	Mounting Feet
FSFMKFTA	Mounting Foot Add-On
FSFK2036	Shelf Kit, 36"W x 20"D
FSFK2048	Shelf Kit, 48"W x 20"D
FSFK2060	Shelf Kit, 60"W x 20"D
FSFK2072	Shelf Kit, 72"W x 20"D
FSFPKMH	Upright Kit, 2-Pack
FSFPKMHA	Upright Kit Add-On



STORAGE MODULES ARE USEFUL COMBINATIONS OF SHELVING AND STORAGE.

When you need a variety of parts and tools to do the job, it is essential that you have them organized and easily accessible. Offering a variety of storage and workbench combinations, Adrian Steel Modules are the key to efficiency when working out of your van.



**MD507
Shelf and Drawer
Module**

MD507 INCLUDES:

9	4-Drawer Unit w/ Lock
18	Welded 3-Shelf Unit w/ Dividers
19	2-Drawer Unit w/ Lock
40	Wheel-well Bin w/ Lock
43	3-Shelf Literature Rack

42"W x 46.5"H x 14"D



**MD506
Shelf and Drawer
Module**

MD506 INCLUDES:

9	4-Drawer Unit w/ Lock
12	Adjustable Single Shelf Cabinet w/Lock (2)
19	2-Drawer Unit w/ Lock
40	Wheel-well Bin w/ Lock
43	3-Shelf Literature Rack

42"W x 46.5"H x 14"D



**MD508
Workbench Module**

MD508 INCLUDES:

9	4-Drawer Unit w/ Lock
19	2-Drawer Unit w/ Lock
40	Wheel-well Bin w/ Lock
60105	Workbench Top

42"W x 26"H x 14/18"D



**MD509
Workbench Module**

MD509 INCLUDES:

8	3-Drawer Unit (2)
40	Wheel-well Bin w/ Lock
60105	Workbench Top
CB2	2-Book File

42"W x 31"H x 14/18"D

WORKBENCH MODULE FOR LOW, MEDIUM & HIGH ROOF

The MD608 Workbench Module features 84" of work top surface perfect for any mobile workshop. Shown with optional 17A 6-Shelf Catalog File and floor Rail Kit. See package 5274TL.

MD608 INCLUDES:

KMB36	Key Machine Base
60105	Workbench Top (2)
9	4-Drawer Unit w/ Lock (2)
19	2-Drawer Unit w/ Lock (2)
40	Wheel-well Bin w/ Lock
14	Step Stool



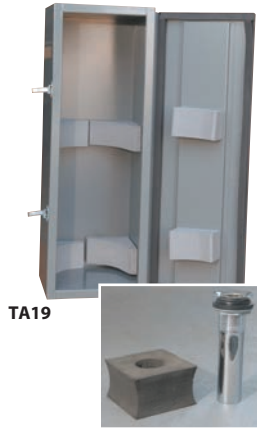
Ergonomic key machine base

17A Catalog File

Storage Modules are designed to fit over wheelwells of the low roof Transit van. Shelving and Modules must be installed on a Rail Kit. See page 6 for the appropriate Rail Kit. Visit AdrianSteel.com to see more Storage Modules.

SPECIFIC JOBS DEMAND SPECIFIC STORAGE SOLUTIONS.

Cabinet and Drawer Modules provide secure storage for large and small tools and parts. The modular design allows you to get what you need now and the ability to add more when you need it. Whatever the job demands, Adrian has the storage solutions to transport your gear safely and securely.



Vented gas storage solutions

TANK CABINETS

- Provide vented storage for Propane, Mapp gas or CO2 tanks.
- Cabinets feature a full door gasket with two snap latches for positive door closure.
- Interior cabinet cradle and retaining straps (foam yokes for TA19) secure tanks and prevent movement.
- Floor vent and tubing are included for exhausting fumes.
- Propane cabinets store 20, 30 or 40 lb. tanks.
- Mapp Gas Cabinets store 6 1/2" diameter tanks.
- CO2 Tank Cabinets store 20 lb. cylinders.

MODEL	DESCRIPTION	CABINET SIZE
TA19	Compressed Gas Tank Cabinet	13"W x 32"H x 12-1/2"D

SHELF CABINETS

- Available in 12" and 18" front to rear lengths
- Can be used free standing or stacked with our lockable drawer units.
- Feature locking recessed tee-handles for secure storage and receive a durable gray powder coat finish.
- Cabinets feature an open side and can be combined for side-by-side use holding items up to 35" long.
- Optional end panel can be added to close off side when required.
- Include an adjustable shelf that can be removed
- Cabinets provide a solid surface to stack modular drawers, cabinets and bins.



Folding T handles don't stick out into aisles.

MODEL	DESCRIPTION	CABINET SIZE
1	Adjustable Single Shelf Cabinet w/Lock	18"W x 22"H x 18"L
12	Adjustable Single Shelf Cabinet w/Lock	18"W x 22"H x 12"L
1A	Cabinet Shelf	No. 1
12A	Cabinet End Panel	No.12
12B	Shelf	No.12



40

40 & 40H - WHEEL WELL COVER CABINET

- Wheel well cover cabinets are designed with an open back and bottom.
- Serves as an enclosure for rear wheel wells.
- Provides a solid surface to stack modular drawers, cabinets and bins.
- Cabinets come with locking recessed tee-handles for secure storage.
- Finished with a durable gray powder coat finish.
- Cabinet size 42"W x 12.5"H x 14"L



CL1446R

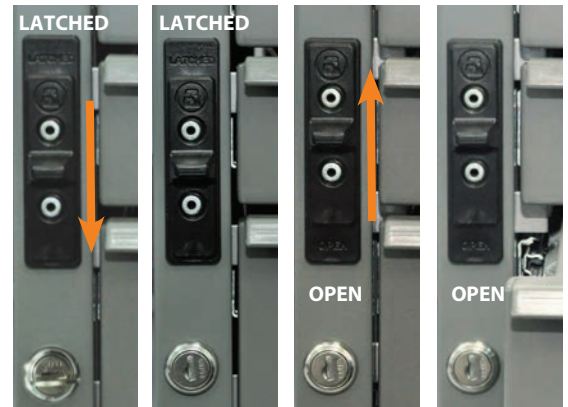
CABINET LOCKERS

- Full-door Lockers feature a 46" high storage space with 3 removable shelves.
- Locker doors are reversible for flexibility and feature locked recessed T-handles for security.
- Cabinet Lockers taper from 14" to 12" from front to back in depth at top and bottom to maximize aisle space.

MODEL	DESCRIPTION	CABINET SIZE
CL1446R	Adjustable 3-Shelf Cabinet w/ Lock	18"W x 46"H x 14"D



2.5" deep drawers come with ABS divided and removable trays perfect for small parts.

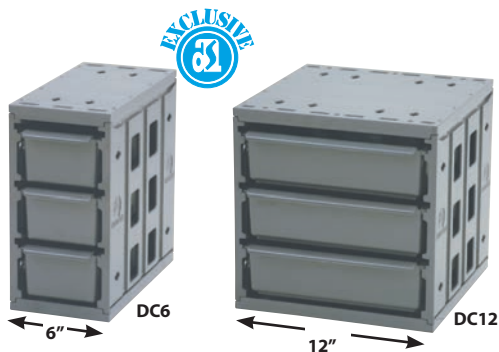


DRAWER UNITS – LOCK 'N LATCH SYSTEM

- Our exclusive Lock 'n Latch system provides a choice of drawers open, drawers retained or drawers locked position.
- Drawers are made of an engineered composite material for durability with heavy-duty drawer glides for support and smoother drawer operation.
- The new drawer glides significantly increase the ease of use when opening and closing the drawer units. They all but eliminate the rattle noise of the drawers when the driving the vehicle.
- Drawers and glides can be repositioned within cabinet for increased flexibility.
- Divide 5" deep drawers into compartments using optional metal "egg crate" dividers.

MODEL	DESCRIPTION	DRAWER SIZE (QTY.)
19	2-Drawer Unit w/ Lock	16"W x 5"D x 11-1/2"L (2)
919	3-Drawer Unit w/ Lock	16"W x 2-1/2"D x 11-1/2"L (2) 16"W x 5"D x 11-1/2"L (1)
9	4-Drawer Unit w/ Lock	16"W x 2-1/2"D x 11-1/2"L (4)
27	Drawer Divider Assembly	19 or 919 Drawer (1)

Steel outer cabinet measures 18"W x 12"H x 12"L.



DRAWER COMPONENTS

- Organize small parts with our flexible and rugged composite Drawer Components.
- Drawer retention stops prevent drawers from opening while the vehicle is in transit.
- Made of a hi-impact polymer for a quiet operation.
- Each drawer comes with 2 dividers and 7 divider slots.
- Interlocking feature allows up to 2 units stacked vertically or multiple units horizontally.
- Choose from Adrian Steel's pre-configured drawer systems or create your own
- Drawer system from the base models.

MODEL	DESCRIPTION	OVERALL SIZE
DC6	3-Drawer Unit	6"W x 12"H x 12"D
DC12	3-Drawer Unit	12"W x 12"H x 12"D
31160-0	Divider for DC6	
31161-0	Divider for DC12	

5lb. weight capacity per drawer.



#2 Cabinet Size
18"W x 24"H x 18"L

#8 Cabinet Size
18"W x 18"H x 12"L

DRAWER UNITS – LOCKING HINGE AND HASP

- Drawers are welded and have reinforced drawer slides for strength.
- Can be locked with a padlock (not included) for security.
- Divide drawers with optional metal "egg crate" dividers.

MODEL	DESCRIPTION	DRAWER SIZE (QTY.)
8	3-Drawer Unit	16"W x 5"D x 11-1/2"L (3)
2	4-Drawer Unit	16"W x 5"D x 17-1/2"L (4)

BE MORE EFFICIENT WITH INVENTORY THAT IS READY TO GO WHEN AND WHERE YOU ARE.

Versatile, lightweight, durable, convenient and mobile - these **Portable Parts Cases** are perfect for the tech who needs to carry small parts and inventory to the job-site.

The impact resistant body can be organized with the included adjustable dividers. The see-through lids with snap latches make identifying contents easy.

PPCS 14" x 14" x 3.75"
PPCL 14" x 14" x 6.25"



CH-EP
 15.5" x 11.25" x 37.5"
 * FIRST AID KIT NOT INCLUDED (#15372-0)



CHPPC5SM
 16.5" x 14" x 35"



Add a single **CH1514SGL** 15" x 14" x 12" or double **CH-1514DBL** 15" x 14" x 12" Case Holder to an existing shelf to house included cases that stay put while in transport.

INCORPORATE THE PORTABLE PARTS CASES INTO YOUR VAN WITH THE STORAGE OPTION THAT FITS YOUR NEED.

Three different **Case Holder** options give you the ability to house multiple Portable Parts Cases near the vehicle door for easy access to grab-and-go. The **CH-EP** and **CHPPC5SM** include a tray that holds an optional first aid kit and feature slanted shelves.

The **CHPPC4S** includes four PPCS cases and each shelf has a retaining lip to keep cases in place.



CHPPC4S
 14 3/8" x 14 3/8" x 18"

A CENTER CONSOLE DESK KEEPS ELECTRONICS SECURE AND OUT OF SIGHT.

Designed to be mounted in the cab, between the front seats.



Tech Desk Console for Ford Transit

- Designed to mount between the front seats.
- 2 USB Ports.
- Non-Slip lid tray to keep items from falling off during transit.
- Internal Organization.
- Lockable Lid.
- Interior LED lights.

TDC6 Tech Desk Console - Fits Ford Transit, up to 2020

TDC9 Tech Desk Console - Fits Ford Transit, 2021 and on



Center Console Desk for Ford Transit

- Designed to mount between the front seats.
- Rugged steel construction with a hinged worktop and key locking paddle handle.
- Convenient lid mounted clip holds papers in place on the writing surface.
- Center Console Desks mount securely to the vehicle floor, and can be removed for service.
- Measures 6.7"W, 18.3"H, 22.3"D

CCD6 Center Console - Fits Ford Transit, up to 2020

CCD9 Center Console - Fits Ford Transit, 2021 and on

CCDHF6 Center Console Hanging File

CCDHF9 Center Console Hanging File

LITERATURE FILES



1: CB5 5-Slot Literature Rack Mount on partition or other vertical surface. 2-1/2" deep pockets. Overall size: 12"W, 24"H, 2-1/2"D.

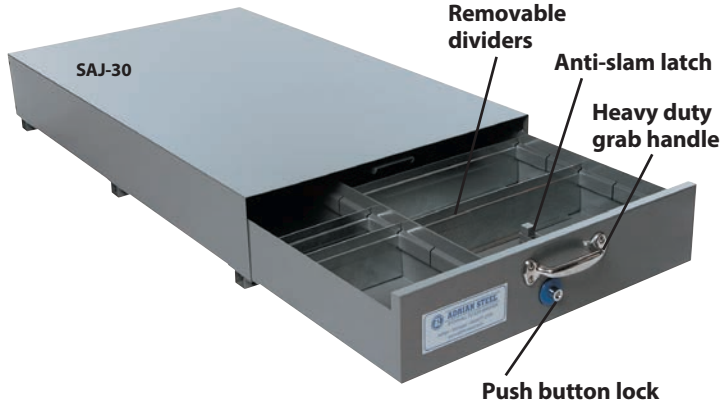
2: CB7 7-Slot Literature Rack Mount on partition or other vertical surface. 6-3/4" deep pockets. Overall size: 14-3/4"W, 28-7/8"H, 7"D.

3: 17A 6-Shelf Catalog File Designed for catalogs but also serves to store a variety of materials between the 3" shelf spacings. Overall size: 11"W, 24"H, 12"D.

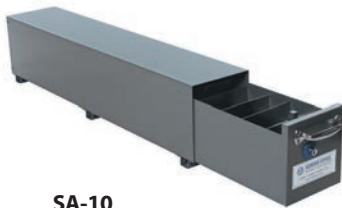
4: 43 3-Shelf Literature Rack Fits in narrow spaces. It has three tilted shelves. Perfect for binders and catalogs. Overall size: 6" W, 34" H, 12" D.

5: BH4 4-Slot Literature Rack Designed to mount on partition or almost any vertical surface. Excellent for binders. Each pocket is 2 1/2" deep. Overall size: 12-3/4" W, 19-1/2" H, 2-1/2" D.

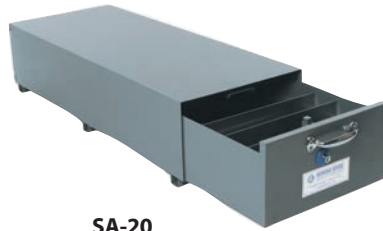
ADRIAN'S FLOOR DRAWER IS THE FINEST FLOOR STORAGE UNIT YOU CAN BUY.



- 14 Gauge steel outer cabinets are constructed with top channel cross support members for strength and rigidity.
- Drawers are constructed with double sidewalls to prevent bowing and to accommodate items up to 48" in length.
- The anti-slam latch stops drawers from completely closing without positive latch activation.
- Heavy-duty grab handle and push button lock allows for comfortable, one-handed drawer operation.
- Durable powder coat finish will provide years of rugged service.
- Easy glide drawers with full width recessed conveyor roller at front and hardened steel roller bearings at rear.
- Install at rear or side doors, and units can be stacked.



SA-10



SA-20



SA-40

FLOOR DRAWER DEEP SERIES

MODEL	DESCRIPTION	CABINET SIZE	DRAWER SIZE	DIVIDER (QTY.)
SA-10	Single Compartment Floor Drawer	10"W x 12"H x 51-1/2"D	9-5/8"W x 8-1/2"H x 48-1/2"D	DV9(5)
SA-20	Single Compartment Floor Drawer	20"W x 12"H x 51-1/2"D	19-5/8"W x 8-1/2"H x 48-1/2"D	DV19(5)
SA-40	Triple Compartment Floor Drawer	40"W x 12"H x 51-1/2"D	9-5/8"W x 8-1/2"H x 48-1/2"D (2) 19-5/8"W x 8-1/2"H x 48-1/2"D	DV9(10) DV19(5)

Floor Drawer Dividers are available and are sold individually.



SAJ-10



SAJ-20



SAJ-30



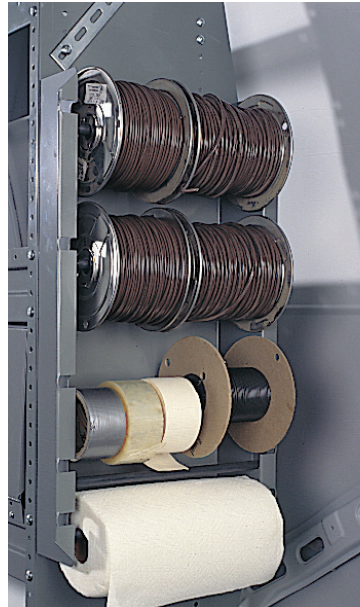
SAJ-40

FLOOR DRAWER SHALLOW SERIES Floor Drawer quality in a lower profile

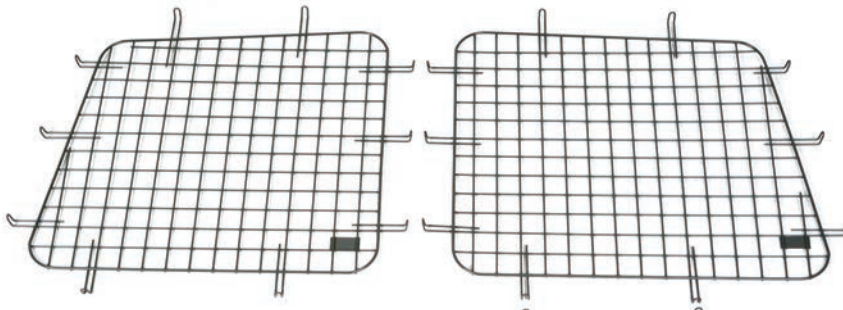
MODEL	DESCRIPTION	CABINET SIZE	DRAWER SIZE	DIVIDER (QTY.)
SAJ-10	Single Compartment Floor Drawer	10"W x 8-1/2"H x 51-1/2"D	9-5/8"W x 5-1/4"H x 48-1/2"D	DVJ9(5)
SAJ-20	Single Compartment Floor Drawer	20"W x 8-1/2"H x 51-1/2"D	19-5/8"W x 5-1/4"H x 48-1/2"D	DVJ19(5)
SAJ-30	Double Compartment Floor Drawer	30"W x 8-1/2"H x 51-1/2"D	9-5/8"W x 5-1/4"H x 48-1/2"D 19-5/8"W x 5-1/4"H x 48-1/2"D	DVJ9(5)
SAJ-40	Triple Compartment Floor Drawer	40"W x 8-1/2"H x 51-1/2"D	9-5/8"W x 5-1/4"H x 48-1/2"D (2)	DVJ9(10)

REEL HOLDERS

WRH5 5-Bar Spool Holder Five removable bars hold wire spools up to 6" in diameter. Reel Holder mounts to shelf ends or any vertical surface. Overall size: 12" W, 25" H, 4" D



WIRE WINDOW SCREENS



Wire Window Screens add security to cargo area windows. Contoured to fit the window and feature a non-glare gray powder coat finish.

Transit Low Roof:

- 60-134** Passenger Side Rear Door Security Screen
- 60-135** Driver Side Rear Door Security Screen
- 60-138** Passenger Side Sliding Door Security Screen
- 60-140** Passenger Side Door Security Screen
- 60-141** Passenger Side Door Security Screen
- 60-TRLHDRD** Passenger Side Hinged & Rear Doors Security Screen Kit
- 60-TRLRDR** Rear Doors Security Screen Kit
- 60-TRLSDR** Passenger Side Sliding & Rear Doors Security Screen Kit

Transit Mid & High Roof

- 60-132** Passenger Side Rear Door Security Screen
- 60-133** Driver Side Rear Door Security Screen
- 60-136** Passenger Side Sliding Door Security Screen
- 60-TRMHRDR** Rear Doors Security Screen Kit
- 60-TRMHSDR** Passenger Side Sliding & Rear Doors Security Screen Kit

Transit Connect:

- 60-TC14RB** Rear Doors Security Screen Kit
- 60-TCS14S** Sliding Doors Security Screen Kit
- 60-TCL14S** Sliding Doors Security Screen Kit

ADRIAN'S BLUE BIN SYSTEM IS PERFECT FOR VISUAL INVENTORY MANAGEMENT.

- 6" and 12" bins maximize the ADseries shelf space.
- The bins can nest on top of each other when at the job site or in the warehouse getting filled to go.
- Add a label to the front so you can find parts quickly
- Each bin can accommodate one optional divider.



SBIN120614



SBIN060614

MODEL	DESCRIPTION
SBIN060614	Snap In Bin
SBIN120614	Snap In Bin Divider
SBINDIV	Snap In Bin Divider

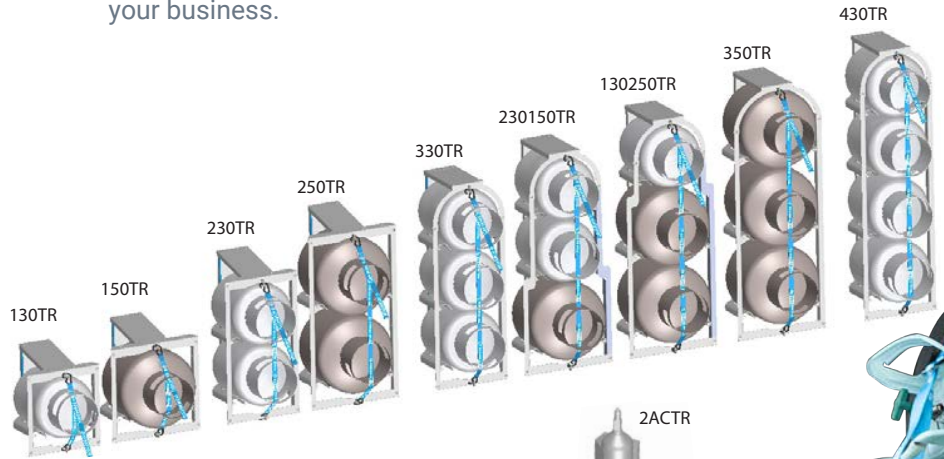


ERGONOMIC TANK RACK SYSTEM

OUR MOST FLEXIBLE AND ERGONOMIC TANK RACK SYSTEM, EVER.

The all-new Adrian Steel EZLoad™ Tank Racks are a revolution in design, ergonomics, and real-life use. The modular, patent pending design allows you to build a perfect configuration of 30-50 lb. tanks and/or acetylene tank options based on what you need carry. You can stack, mix and match or add top trays to find the best configuration for your business.

MODEL	HOLDS
130TR	(1) 30 lb. Tank
230TR	(2) 30 lb. Tank
330TR	(3) 30 lb. Tank
430TR	(4) 30 lb. Tank
150TR	(1) 50 lb. Tank
250TR	(2) 50 lb. Tank
350TR	(3) 50 lb. Tank
130150TR	(1) 30 lb. (1) 50 lb. Tank
130250TR	(1) 30 lb. (2) 50 lb. Tank
230150TR	(2) 30 lb. (1) 50 lb. Tank
1ACTR	(1) Acetylene Tank Holder
2ACTR	(2) Acetylene Tank Holder
BAGST	Stacking Fastener Bag *MUST HAVE IF STACKING UNITS



*Please confirm the location of the tank rack and tray, some interior locations will not accommodate the tray due to the contour of the vehicle.

SAFEST ERGONOMIC ANGLE

This system is designed to be installed at the rear or side doors at a 45° angle providing you the most ergonomic access to your tanks. This helps prevent back and shoulder injuries when loading/unloading full or empty tanks.

2ACTR and 1ACTR are designed to be used along side any units shown above.

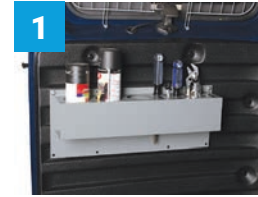


45° MOUNTING ANGLE

CARGO ACCESSORIES

These products are designed to create an organized solution for Aerosol Cans, Caulk Tubes, Gas Cylinders and other miscellaneous cargo.

Item	Model	Description	Width	Depth	Height
1	DST21	Door Storage Tray	20"	4"	8"
2	DT21	Door Tray, No Lid	20"	4"	4"
3	DTL21	Door Tray Lid for DT21 only	18"	4"	.5"
4	DTWL21	Door Tray w/ Latching Lid	20"	4"	4"
5	66246	Open Storage Box Tray, 24"	24"	5"	4.75"
6	66206	Open Storage Box Tray, 14"	14"	5"	4.75"
7	ACT3	3-Place Aerosol Can Holder	12"	4"	7"
8	ACT4	4-Place Aerosol Can Holder	15.5"	4"	7"
9	66761	Gas Cylinder/Spray Bottle Holder, Small	14"	5"	10"
10	66764	Gas Cylinder/Spray Bottle Holder, Large	24"	5"	10"
11	CHS5	5-Slot Caulk Tube Holder, 10 oz.	14"	3.5"	8.5"
12	CHS8	8-Slot Caulk Tube Holder, 10 oz.	23"	3.5"	8.5"
13	CHL4	4-Slot Caulk Tube Holder, 29 oz.	14"	5"	9.5"
14	CHL7	7-Slot Caulk Tube Holder, 29 oz.	23"	5"	9.5"
15	14	Step Stool	20"	13"	12"
16	UH10	Utility Hook, 1"	-	-	-
17	UH25	Utility Hook, 2.5"	-	-	-
18	UH50	Utility Hook, 5"	-	-	-
19	TA1WAD	4-Hook Bar	12"	2"	4.5"
20	TA2	Hard Hat Holder	10.5"	2.5"	9"
21	66881	Instant Folding Work Table	24"	18"	-
22	VMA24F	Professionals Folding Vise, No Vise	-	24"	-
23	VMA24F-WV	Professionals Folding Vise, With Snap-On® Vise	-	24"	-
24	66241	Battery Charging Station	-	-	-
25	WRH5	Wire Reel Holder	12"	4"	25"
26	GHFT	Grab Handle	-	-	-
27	STEPFTRD	Rear Door Safety Step	-	-	-
28	STEPFTSD	Side Door Safety Step	-	-	-
29	STEPFT130	Side Door Safety Step, Transit 130"	-	-	-

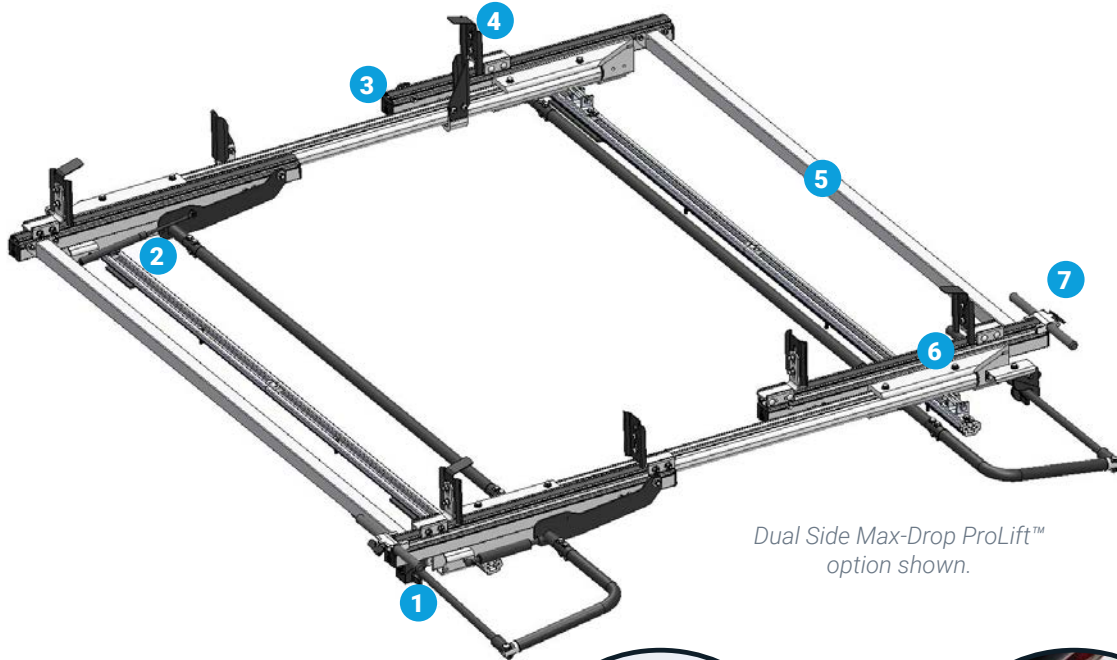


PROLIFT

UP TO 50% LIGHTER OPERATION

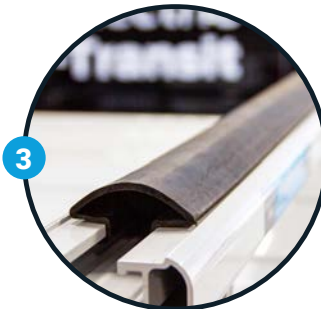
The ProLift™ is up to 50% easier to operate than comparable drop-down style ladder racks. This makes it the easiest and safest drop-down ladder rack system on the market. Using unique patent pending mechanical advantages and high-performance spring assist struts, ProLift™ raises and lowers ladders with an almost effortless pull, saving you time and energy while reducing back and shoulder injuries.

Built on Adrian Steel's new flagship Profile™ rack system, the ProLift™ is low profile, lightweight and built to last.



Dual Side Max-Drop ProLift™ option shown.

- 1 LOCKABLE ATTACHED HANDLE**
Prevents losing your ladder rack handle and wasting time obtaining a new one. Pad-Lock capable to prevent theft.
- 2 PULL ASSIST GAS SPRINGS**
Dampens the load during operation to prevent damage to the vehicle while also reducing operating force.
- 3 RUGGED WEAR STRIPS**
Protects and helps increase the life of your ladders.
- 4 ADJUSTABLE CLAMP PADS**
Get a snug fit on any ladder with just a half inch wrench or ratchet/socket.
- 5 LADDER GUIDE / VAN GUARD**
Help guide the ladder into the front bracket while also preventing damage to the van from the ladder.
- 6 SECONDARY SLIDE (MAX-DROP)**
The secondary slide lowers the ladder to a lower more ergonomic reach height to prevent back and shoulder injuries during operation.
- 7 EASY RELEASE T-HANDLE (MAX-DROP)**
Press and release with thumb to active the secondary slide.





Standard-Drop ProLift™ has a single function that lowers the ladder to a single set height. Uses hook brackets to hold and secure ladders.

Only available for full-size low roof and compact vans.

Max-Drop ProLift™ has a single function that lowers the ladder to a single set height and a secondary function that lowers the rear of the ladder even further to a safer more ergonomic height. Most similar to our previous DDLR drop down series.

Available for Low, Mid & High Roof Vans

		Part Number:	Description:	Vehicle Platform:
Standard-Drop	Full Rack	PLSD61TCL	Passenger Side Standard-Drop ProLift	Transit Connect 120"
	Full Rack	PLSD61TCS	Passenger Side Standard-Drop ProLift	Transit Connect 105"
	Full Rack	PLSD63TCL	Dual Side Standard-Drop ProLift	Transit Connect 120"
	Full Rack	PLSD63TCS	Dual Side Standard-Drop ProLift	Transit Connect 105"
	Accessory	PLSLKCW	Step Ladder Kit for Standard-Drop ProLift Racks	Transit Connect 105" & 120"
	Full Rack	PLS61TL	Passenger Side Standard-Drop ProLift	Transit Low Roof
	Full Rack	PLS63TL	Dual Side Standard-Drop ProLift	Transit Low Roof
	Full Rack	PLS64TL	Passenger Side Standard-Drop, Driver Side Grip-Lock	Transit Low Roof
	Component	PLSDDSLW	Driver Side Standard-Drop ProLift Kit	Transit Low Roof
	Component	PLSDPSLW	Passenger Side Standard-Drop ProLift Kit	Transit Low Roof
	Accessory	PLSLKSW	Step Ladder Kit for Standard-Drop ProLift Racks	Transit Low, Mid, High
Max-Drop	Full Rack	PLM61TL	Passenger Side Max-Drop ProLift Ladder Rack	Transit Low Roof
	Full Rack	PLM63TL	Dual Side Max-Drop ProLift Ladder Rack	Transit Low Roof
	Full Rack	PLM64TL	Combo Max-Drop & Grip-Lock Ladder Rack	Transit Low Roof
	Component	PLMDDSLW	Driver Side Max-Drop ProLift Kit	Transit Low Roof
	Component	PLMDPSLW	Passenger Side Max-Drop ProLift Kit	Transit Low Roof
	Full Rack	PLM61TM	Passenger Side Max-Drop ProLift	Transit Mid Roof
	Full Rack	PLM63TM	Dual Side Max-Drop ProLift	Transit Mid Roof
	Component	PLMDDSMW	Driver Side Max-Drop ProLift Kit	Transit Mid Roof
	Component	PLMDPSMW	Passenger Side Max-Drop ProLift Kit	Transit Mid Roof
	Full Rack	PLM61TH	Passenger Side Max-Drop ProLift	Transit High Roof
	Full Rack	PLM63TH	Dual Side Max-Drop ProLift	Transit High Roof
	Component	PLMDDSHW	Driver Side Max-Drop ProLift Kit	Transit High Roof
	Component	PLMDPSHW	Passenger Side Max-Drop ProLift Kit	Transit High Roof
	Accessory	PLSLKMW	Step Ladder Kit for Max-Drop ProLift Racks	Transit Low, Mid, High
Conduit Kits	Full Kit	70-1NGLR	4" End Caps for PVC Conduit Kit	
	Full Kit	70-2NGLR	6" End Caps for PVC Conduit Kit	
	Full Kit	80-1NGLR	10'6" Aluminum Conduit Kit	
	Full Kit	80-2NGLR	12'6" Aluminum Conduit Kit	



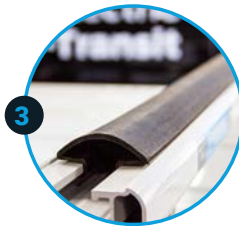
Gain better peace-of-mind with the new PROFILE™ Grip-Lock Ladder Rack. Simple one handle operation and adjustable clamping pads provide safe and easy operation with flexibility to carry a wide variety of ladders.

The 'Gorilla' of locking ladder systems. Rust-free, heavy duty aluminum construction with ultra-premium wear strips and long-lasting components.



LOAD ASSIST BRACKET

Integrated resting and rotational point to assist in loading and unloading ladders.



RUGGED WEAR STRIPS

Protects and helps increase the life of your ladders.



ADJUSTABLE CLAMP PADS

Get a snug fit on any ladder with just a half inch wrench or ratchet/socket.



LOCKABLE ATTACHED HANDLE

Pad-Lock capable to prevent theft.

(only available on low roof vehicles)



LADDER GUIDE / VAN GUARD

Help guide the ladder into the front load assist bracket while also preventing damage to the van from the ladder.



Part Number: Description:

Transit Low Roof

GL61TL Passenger Side Grip-Lock Ladder Rack
GL63TL Dual Side Grip-Lock Ladder Rack

Transit Connect

GL61TC Passenger Side Grip-Lock Ladder Rack
GL63TC Dual Side Grip-Lock Ladder Rack

Components

RRKFT Mounting Roof Rail Kit
GL-FSVDS Driver Side Grip-Lock Kit
GL-FSVPS Passenger Side Grip-Lock Kit

Conduit Kits

70-1NGLR 4" End Caps for PVC Conduit Kit
70-2NGLR 6" End Caps for PVC Conduit Kit
80-1NGLR 10'6" Aluminum Conduit Kit
80-2NGLR 12'6" Aluminum Conduit Kit



See it in action on AdrianSteel.com

Interior Ladder Storage



LADDER KEEPER

- Designed to be loaded from outside the vehicle with a spring loaded clamp.
- Clears your aisle space by getting your ladder off the floor.

LK8FT fits 130"WB Transit, Low and Medium roof, and can carry up to a 6 ft. ladder.

LK8FT148 fits 148"WB Transit, Low, Medium and High roof, and can carry up to a 8 ft. ladder. (Does not fit 148EXT WB.)

ILR - INTERIOR LADDER

OUT OF THE WAY, BUT NEVER OUT OF REACH.

When you transport your ladders within the cargo area of your van, you reduce the wear and tear on the ladder, and on yourself with easy to access and operate ladder storage solutions.

- Customers will appreciate your use of clean, well taken care of equipment rather than bringing the outside mess into their home.

Adrian Steel PROFILE™
HD Utility Rack.

The perfect rack for your business.

Select a pre-configured rack developed for common industry needs or take charge and build your own with our configuration tool.

This new system is low profile, aerodynamic, lightweight & tough. The clean, simplistic and corrosion resistant construction with stainless steel hardware and durable powder-coat finish is built to withstand heavy use and ensure years of dependability.

Mix and match components and accessories give you the flexibility to get the perfect rack for your business in less time and with less hassle.

Designed to adapt to almost any vehicle (truck, trailer and topper mounting coming soon) and the unique modular design can be easily upgraded for specific utility use.

1. Minimalistic Design.

Sleek, low-profile for great looking integration on any vehicle and was specifically designed and tested to prevent wind noise.



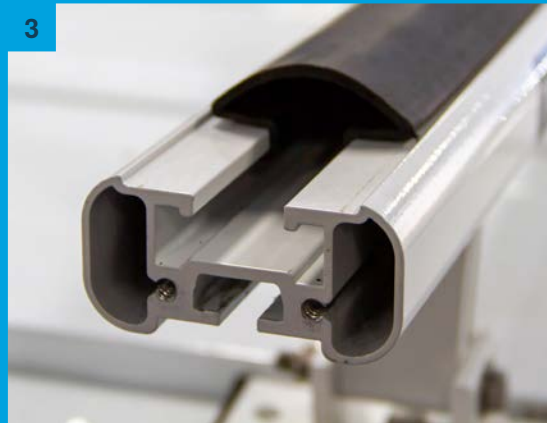
2. Safe, Secure Loading.

Multiple integrated tie-down points come standard for quick and safe transportation.



3. Rugged Wear Strip.

Why let loading and unloading take a toll on your gear and rack systems? Our new, extra-thick Wear Strip comes standard to protect equipment and T-slot crossbars, while keeping debris out of the channels.



4. Industry-Leading Customization.

Profile™ Crossbars have built-in channels for adding Ladder Stops, Rear Roller Assist, Built-In Ratchets, Conduit Kits and additional accessories.



5. 750lb. Load Capacity.

3" x 1.5" Heavy Duty, reinforced extruded aluminum crossbars are tested to support up to 250LBS per crossbar for maximum roof loading capacity.

(Always follow OEM roof rating weight standards for safest loading capacity)





MADE IN USA



Spec & Tech:

PROUDLY MADE IN THE U.S.A.

Rust-free construction with aluminum and galvanized steel components and stainless-steel hardware.

Simple no-drill installation secured to factory mounting points or drip rails

500LB - 750LB (2 or 3 crossbars) weight capacity. Always follow OEM recommended roof rating standards.

Long lasting DURA™ Powder-Coat Finish in TRU white.

30 minute installation time. (Varies by configuration)

One Rack, Endless Configurations.
Build the perfect rack for your business.

Rear Roller Assist
FULL-SIZE VANS ONLY

Single Crossbar Add-On

68" Crossbars FULL-SIZE VANS
58" Crossbars COMPACT VANS

Ladder Stop

4" Upright

6" Upright

9" Upright

9" Ratchet Upright

More Profile™ Functions Coming Soon!

- Drop Down with EZ-up Technology
- Perimeter Side Rails
- Grip-Lock®

6" End Caps for PVC Kit
70-2NGLR

4" End Caps for PVC Kit
70-1NGLR

12'6" Aluminum Conduit Kit
80-2NGLR


10'6" Aluminum Conduit Kit
80-1NGLR

The perfect rack for your business.

Select a pre-configured rack developed for common industry needs or take charge and build your own with our configuration tool.


1 **2-BAR OPTIONS**

How to Order: "2-Bar Part Number" + "4-Pack Mounting Kit"




2-Bar w/ 4" Uprights

Full-Size Van #	Compact Van #
2B4W	2B4CW



2-Bar w/ 6" Uprights

Full-Size Van #	Compact Van #
2B6W	2B6CW




2-Bar w/ 9" Ratchet Uprights

Full-Size Van #	Compact Van #
2B9RW	2B9RCW


1 **3-BAR OPTIONS**

How to Order: "3-Bar Part Number" + "4-Pack Mounting Kit" + "2-Pack Mounting Kit"




3-Bar w/ 4" Uprights

Full-Size Van #	Compact Van #
3B4W	N/A



3-Bar w/ 6" Uprights

Full-Size Van #	Compact Van #
3B6W	N/A



3-Bar w/ 9" & 9" Ratchet Uprights⁽⁴⁾

Full-Size Van #	Compact Van #
3B9RW	N/A



3-Bar w/ 6" Uprights & Rear Roller

Full-Size Van #	Platform:
3B6RRFTW*	Transit

*Does not work with Transit High Roof 148" Extended or Sprinter High Roof 170" Extended

2 **3** **MOUNTING BRACKETS**

	4-Pack	2-Pack	Vehicle Platform:
Ford	FTMBK4W	FTMBK2W	Transit Low Roof
	FTMBK4W	FTMBK2W	Transit Mid/High Roof
	TCMBK4W	TCMBK2W	Transit Connect

What to order:	1	2	3
2-Bar Rack:	2-Bar Rack part number	+	4-Pack part number
3-Bar Rack:	3-Bar Rack part number	+	4-Pack part number + 2-Pack part number

Scan
to view
racks.



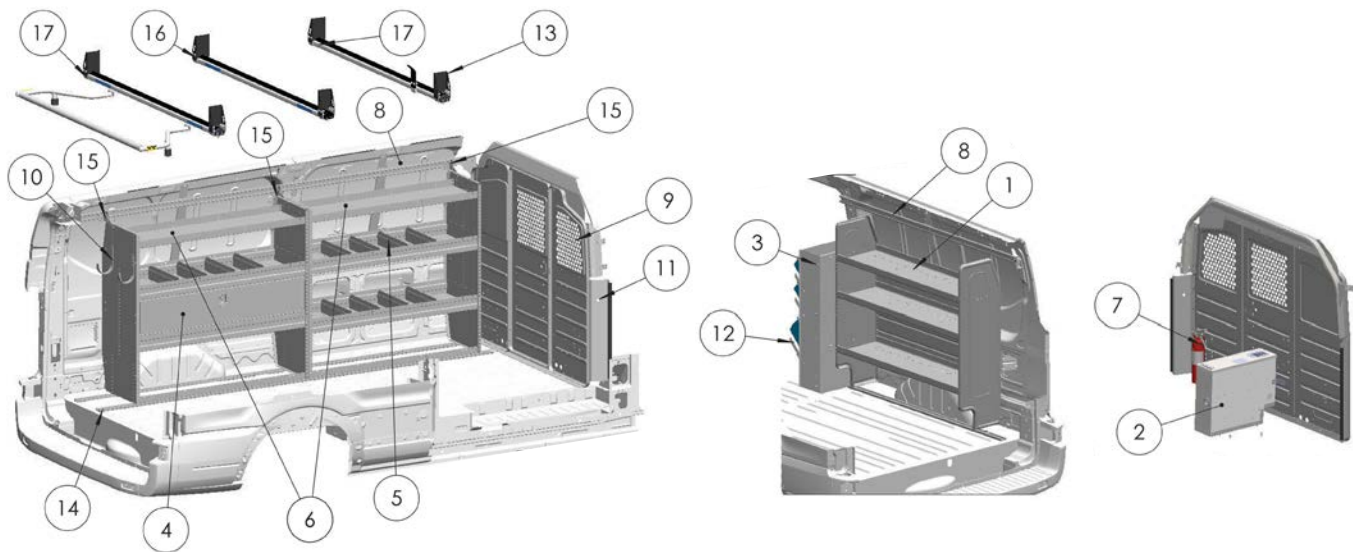
Scan to
build your
own rack.



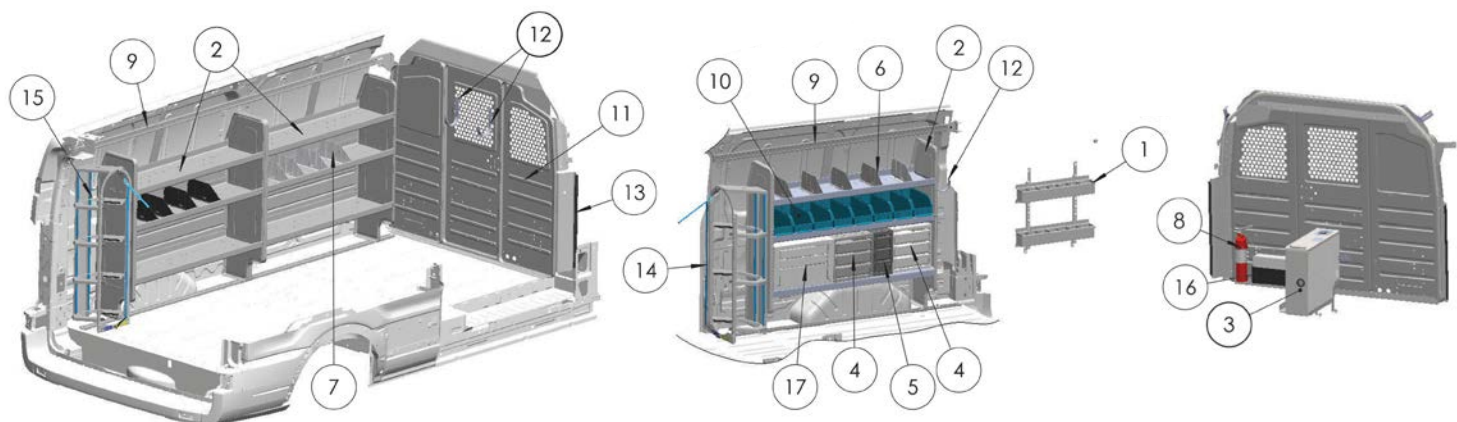
Scan to
find your
distributor.



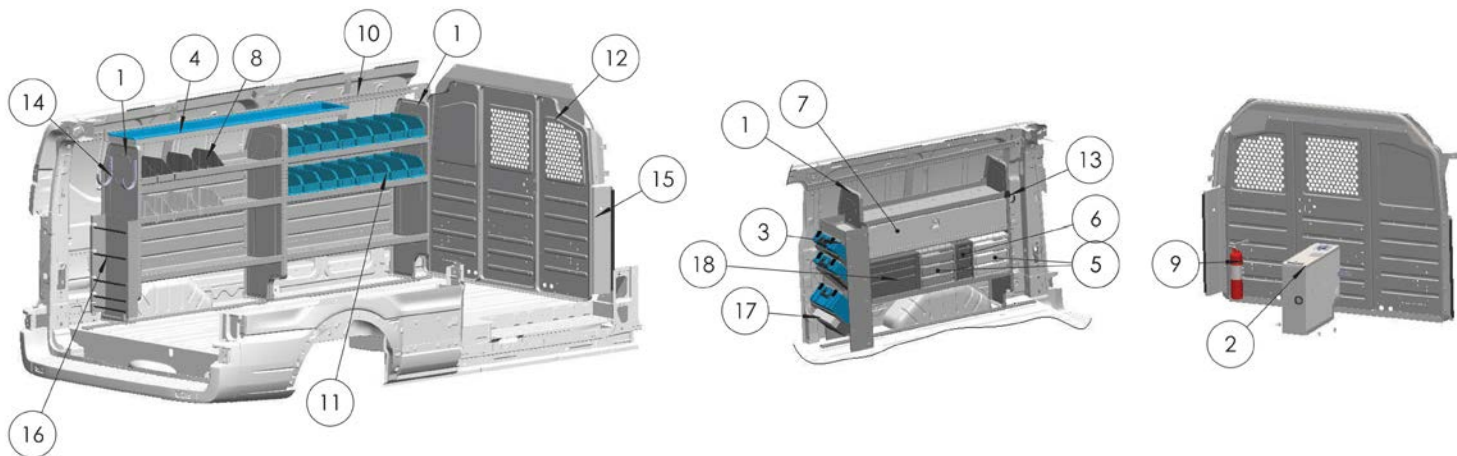
Builder/General Contractor



HVAC



Electrical Contractor



BUILDER/GENERAL CONTRACTOR

7016TL130 - Transit Low Roof 130"
7016TL148 - Transit Low Roof 148"

Item	Part #	Description	Qty
1	AD44FP	Adjustable 3-Shelf Unit, 44"W	1
2	CCD9	Center Console	1
3	CH-EP	3-Case Holder w/ Cases	1
4	DK4210	Door Kit w/ Lock 42"W x 10"H	1
5	DK542	Door Kit w/ Lock 40"W x 10"H	1
6	DV18KD	Shelf Divider, 18"	12
7	JD42FP	3-Shelf Unit 42"W x 18"D x 46"H	1
8	JD52FP	3-Shelf Unit 52"W x 18"D x 46"H	1
9	PA8	Fire Extinguisher w/ Bracket	1
10	RK130FTS RK148FTS	Mounting Rail Kit, Transit 130 Mounting Rail Kit, Transit 148	1
11	S1M2C2FSV	Steel Partition Panel Kit w/ Visibility	1
12	TA1WAD	4-Hook Bar w/ End Panel Adapter	1
13	UH50	Utility Hook, 5"	2
14	WKC1FDTS2	Partition Mounting Kit, Transit Low	1

Item	Part #	Description	Qty
15	15372-0	First Aid Kit	1
16	3B6RRFTW	3-Bar HD Utility Rack w/ 6" Uprights (6) & Rear Roller - No Mounts	1
17	34295-0	Drill Bit Tray	2
18	47084	Mounting Rail, 100"	1
19	FTMBK2W	Mounting Feet, 2-Pack, Transit	1
20	FTMBK4W	Mounting Feet, 4-Pack, Transit	1

HVAC

7017TL130 - Transit Low Roof 130"
7017TL148 - Transit Low Roof 148"

Item	Part #	Description	Qty
1	AD32FP	Adjustable 3-Shelf Unit, 32"W	1
2	AD44FP	Adjustable 3-Shelf Unit, 44"W	2
3	HOSEHLDR	Hose Holder	1
4	CCD9	Center Console	1
5	CHPPC06	6-Case Holder w/ Cases	1
6	DC12	3-Drawer Unit, 12"	1
7	DC6	3-Drawer Unit, 6"	2
8	DV14C1	14" Shelf Divider, Single	4
9	DV14C8	14" Shelf Divider, 8-Pack	1
10	PA8	Fire Extinguisher w/ Bracket	1
11	RK130FTS RK148FTS	Mounting Rail Kit, Transit 130 Mounting Rail Kit, Transit 148	1
12	SBIN060614	Snap In Bin, 6"	7
13	S1M1C1GSV	Steel Partition Panel Kit, Solid	1
14	TDK4	Tie Down Kit, 4-Pack	1

Item	Part #	Description	Qty
15	WKC1FDTS2	Partition Mounting Kit, Transit Low	1
16	3B6RRFTW	3-Bar HD Utility Rack w/ 6" Uprights (6) & Rear Roller - No Mounts	1
17	43293	First Aid Kit w/ Holder	1
18	45339-G	3x1 L Moutning Bracket	2
19	47939	5" Utility Hook w/ Adapter, 2-pack	1
20	919	3-Drawer Unit w/ Lock	1
21	GC1	HVAC Gauge Cover Kit	1
22	430TR	EZLoad™ Tank Rack, 30lb. (4)	1
23	FTMBK2W	Mounting Feet, 2-Pack, Transit	1
24	FTMBK4W	Mounting Feet, 4-Pack, Transit	1
25	VPH1	Vacuum Pump Holder	1
26	CHS5	5-Slot Caulk Holder, 10 oz.	1
27	66206	14" Solvent Tray	2

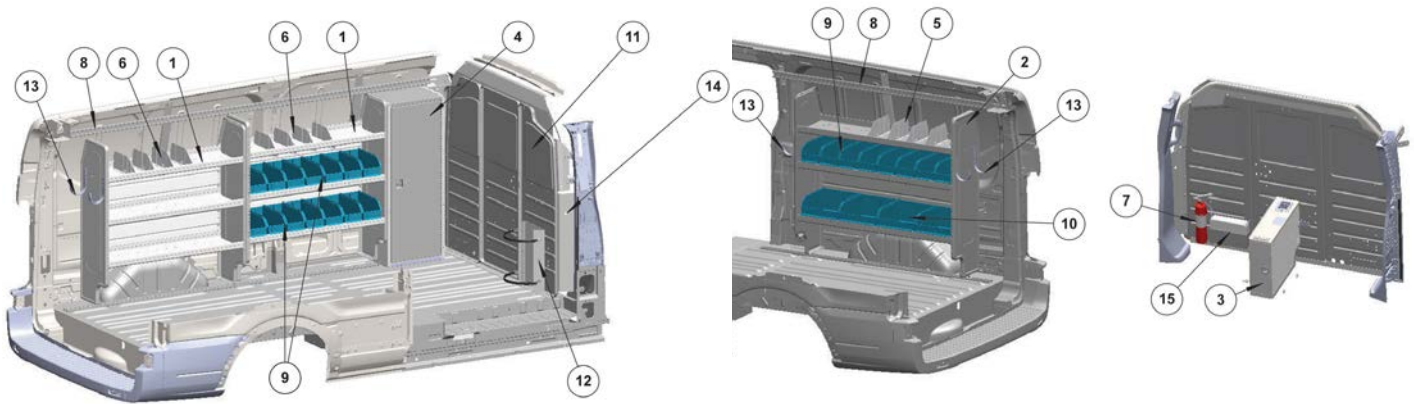
ELECTRICAL CONTRACTOR

7018TL130 - Transit Low Roof 130"
7018TL148 - Transit Low Roof 148"

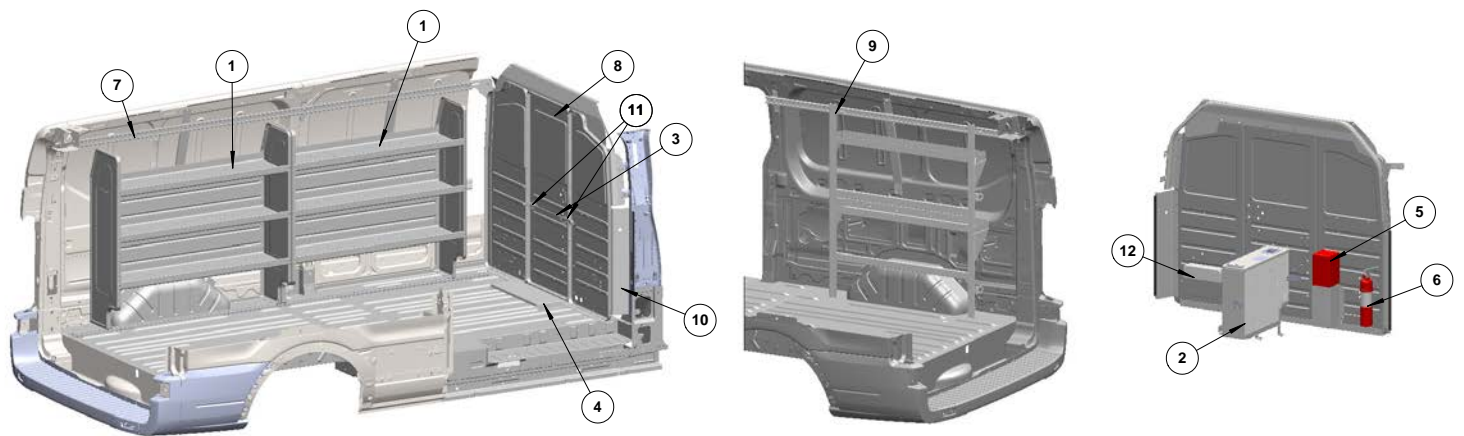
Item	Part #	Description	Qty
1	AD50FP	Adjustable 3-Shelf Unit	3
2	CCD9	Center Console	1
3	CH-EP	3-Case Holder w/ Cases	1
4	DBT74TOP	Drill Bit Tray w/ Insert	1
5	DC12	3-Drawer Unit, 12"	2
6	DC6	3-Drawer Unit, 6"	1
7	DK4808	Door Kit w/ Lock, 48"W x 8"H	1
8	DV14C8	14" Shelf Divider, 8-Pack	1
9	PA8	Fire Extinguisher w/ Bracket	1
10	RK130FTS RK148FTS	Mounting Rail Kit, Transit 130 Mounting Rail Kit, Transit 148	1
11	SBIN060614	Snap In Bin, 6"	16
12	S1M2C2FSV	Steel Partition Panel Kit w/ Visibility	1
13	TA1	4-Hook Bar	1
14	UH50	Utility Hook, 5"	2

Item	Part #	Description	Qty
15	WKC1FDTS2	Partition Mounting Kit, Transit Low	1
16	WRH5	Wire Reel Holder	1
17	15372-0	First Aid Kit	1
18	919	3-Drawer Unit w/ Lock	1

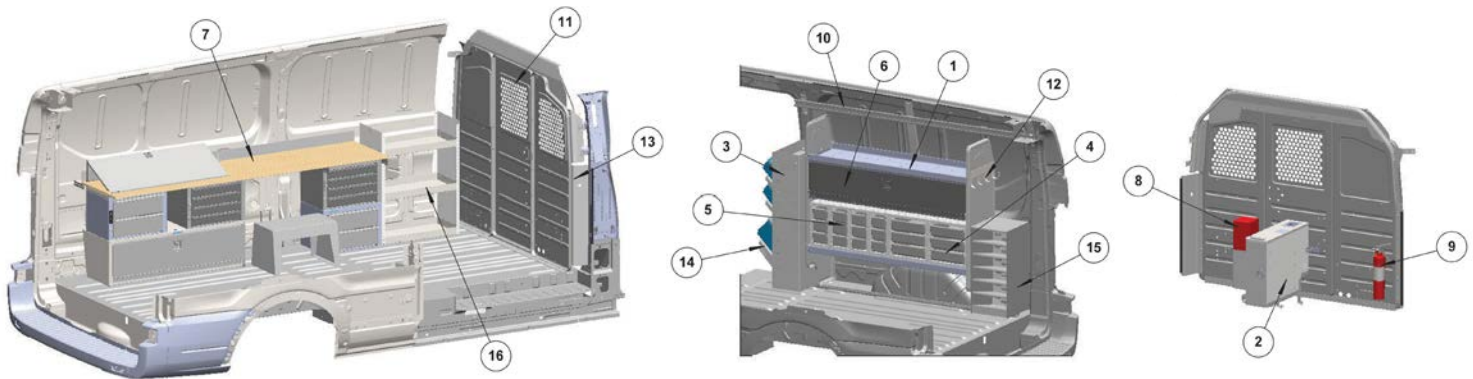
Plumbing



Parcel Delivery



Locksmith



PLUMBING**7019TL130** - Transit Low Roof 130"**7019TL148** - Transit Low Roof 148"

Item	Part #	Description	Qty
1	AD44FP	Adjustable 3-Shelf Unit, 44"W	2
2	AD50FP	Adjustable 3-Shelf Unit, 50"W	1
3	CCD9	Center Console, 9"	1
4	CL1446R	Adjustable 3-Shelf Cabinet w/ Lock	1
5	DV14C1	14" Shelf Divider, Single	4
6	DV14C8	14" Shelf Divider, 8-Pack	1
7	PA8	Fire Extinguisher w/ Bracket	1
8	RK130FTS	Mounting Rail Kit, Transit 130	1
	RK148FTS	Mounting Rail Kit, Transit 148	
9	SBIN060614	Snap In Bin, 6"	22
10	SBIN120614	Snap In Bin, 12"	4
11	S1M1C1FSV	Steel Partition Panel Kit, Solid	1
12	TH30	Single Tank Holder, 30 lb.	1
13	UH50	Utility Hook, 5"	6
14	WKC1FDTS2	Partition Mounting Kit, Transit Low	1
15	43293	First Aid Kit w/ Holder	1

PARCEL DELIVERY**7020TL130** - Transit Low Roof 130"**7020TL148** - Transit Low Roof 148"

Item	Part #	Description	Qty
1	AD50FP	Adjustable 3-Shelf Unit, 50"W	2
2	CCD9	Center Console, 9"	1
3	CS21	Rubber Cargo Strap, 21"	1
4	HCSB824	Hand Cart Holder Kit	1
5	PA7	Reflector Kit w/ Holder	1
6	PA8	Fire Extinguisher w/ Bracket	1
7	RK130FTSSS	Mounting Rail Kit, Transit 130	1
	RK148FTSSS	Mounting Rail Kit, Transit 148	
8	S1M2C2FSV	Steel Partition Panel Kit w/ Visibility	1
9	TDRFT148L	Tie Down Rack, Transit 148" Only	1
10	WKC1FDTS2	Partition Mounting Kit, Transit Low	1
11	24760-0	Nylon Tie Down Strap, 1" x 120"	2
12	43293	First Aid Kit w/ Holder	1

LOCKSMITH**7021TL130** - Transit Low Roof 130"**7021TL148** - Transit Low Roof 148"

Item	Part #	Description	Qty
1	AD50FP	Adjustable 3-Shelf Unit, 50"W	1
2	CCD9	Center Console, 9"	1
3	CH-EP	3-Case Holder w/ Cases	1
4	DC12	3-Drawer Unit, 12"	2
5	DC6	3-Drawer Unit, 6"	4
6	DK4808	Door Kit w/ Lock, 48"W x 8"H	1
7	MD608		1
8	PA7	Reflector Kit w/ Holder	1
9	PA8	Fire Extinguisher w/ Bracket	1
10	RK130FTSCS	Mounting Rail Kit, Transit 130	1
	RK148FTSCS	Mounting Rail Kit, Transit 148	
11	S1M1C1FSV	Steel Partition Panel Kit, Solid	1
12	TA1	4-Hook Bar	1
13	WKC1FDTS2	Partition Mounting Kit, Transit Low	1
14	15372-0	Cintas First Aid Kit	1
15	17A	6-Shelf Catalog File	1
16	46455	3-Shelf Unit	1

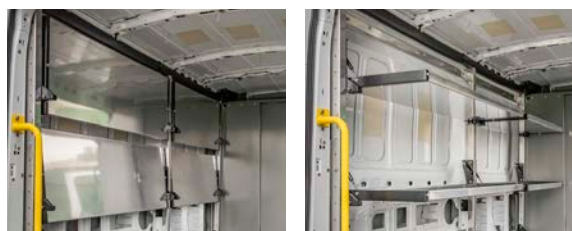


A SAFER, MORE EFFICIENT LAST MILE LIFESTYLE



Sliding Partition

- Easy open door with quick access to cargo area.
- Reduces climbing in and out of the van by half.
- Barrier that helps protect the occupants from shifting cargo



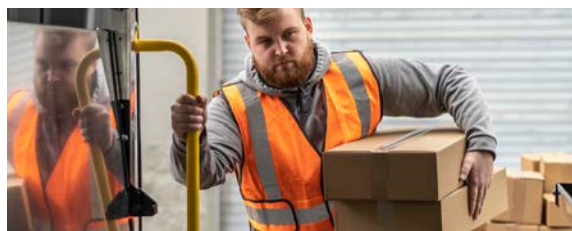
Folding Shelves

- Flexible storage for a variety of package sizes
- Strong lightweight aluminum shelves to maximize payload
- Gas struts quiet the shelving while reducing strain of moving shelves up or down.
- 20" deep with 2" lip and available in 36", 48", 60" and 72" lengths



Steps (Rear & Side Doors)

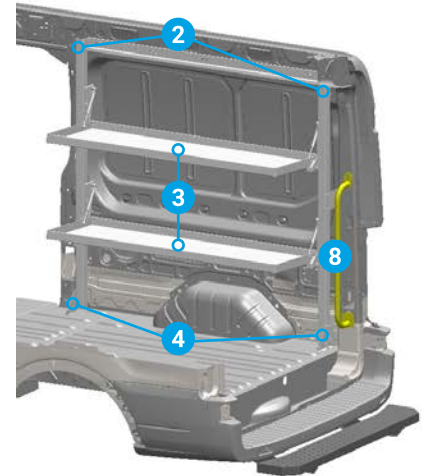
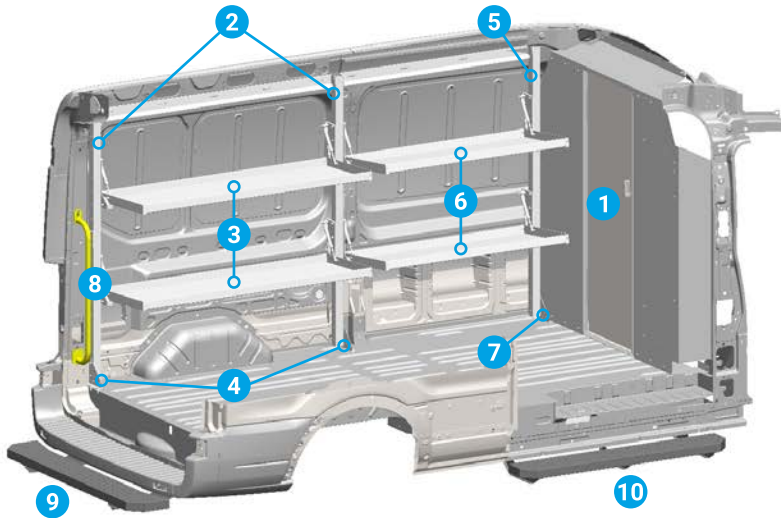
- Slip resistant platform for sure footing.
- Grated platform allows dirt and water to drain through preventing build-up.
- Safely enter/exit van with steps that reduces height to climb in out of the van.



Grab Handles (Rear & Side Doors)

- Helps maintains balance when entering/leaving the vehicle
- Reduces fatigue of climbing in and out of the vehicle
- Point on contact in case of slip trip or fall

Transit Mid & High Roof 148"

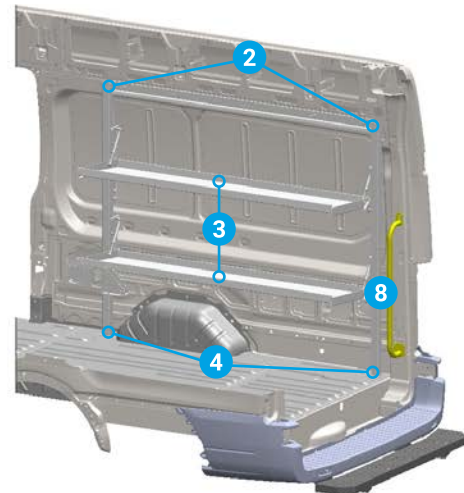
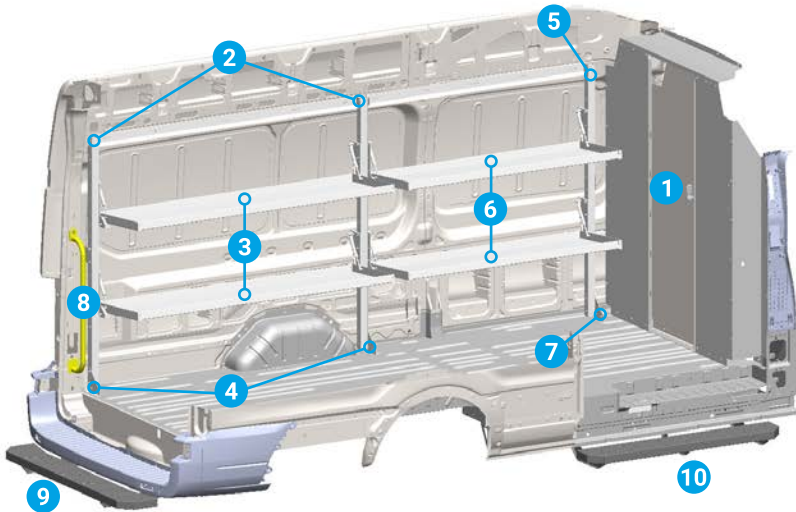


Item:	Description:	Part Number:	Qty:
1	Sliding Partition	SPARFTM (Mid) SPARFTH (High)	1
2	Post Mounting Kit	FSFPKMH	2
3	Folding Shelf Kit, 20 x 60	FSFK2060 *	2
4	Shelf Mounting Kit	FSFMKFT *	2
5	Post Mounting Kit Add-On	FSFPKMHA	1

Item:	Description:	Part Number:	Qty:
6	Folding Shelf Kit, 20 x 48	FSFK2048 *	1
7	Shelf Mounting Kit Add-On	FSFMKFTA	1
8	Grab Handle	GHFT	2
9	Rear Step	STEPFTRD	1
10	Side Step	STEPFTSD	1

* Part number comes as a 2 pack.

Transit High Roof 148" Extended

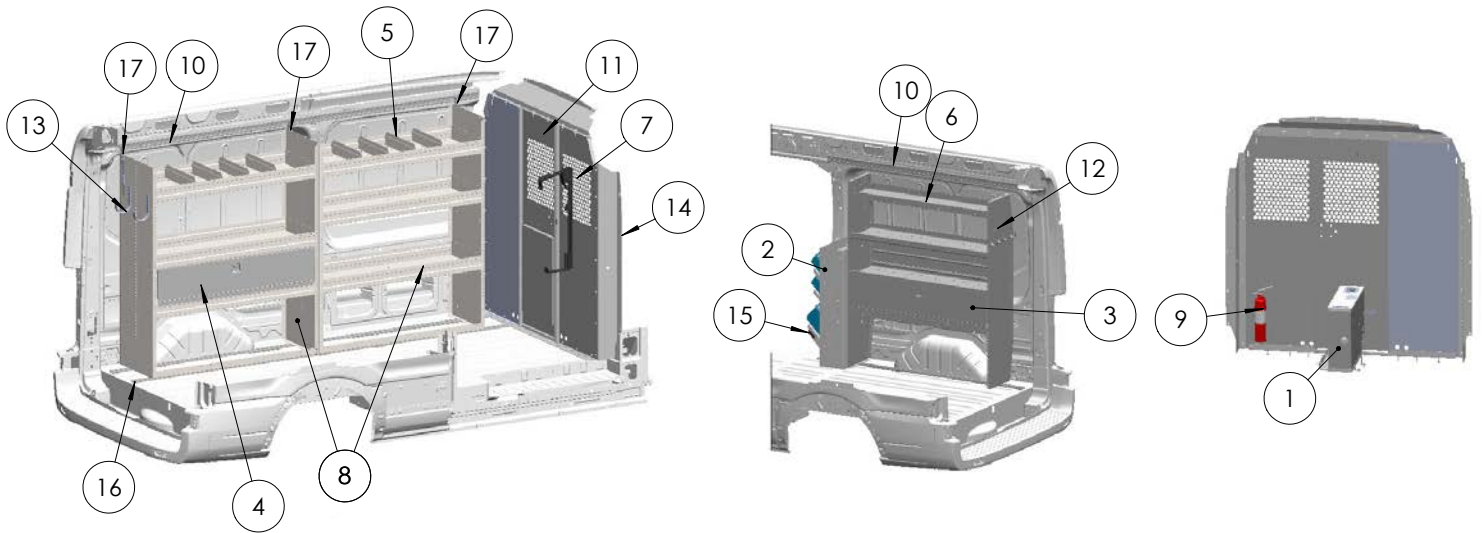


Item:	Description:	Part Number:	Qty:
1	Sliding Partition	SPARFTH	1
2	Post Mounting Kit	FSFPKMH	2
3	Folding Shelf Kit, 20 x 72	FSFK2072 *	2
4	Shelf Mounting Kit	FSFMKFT *	2
5	Post Mounting Kit Add-On	FSFPKMHA	1

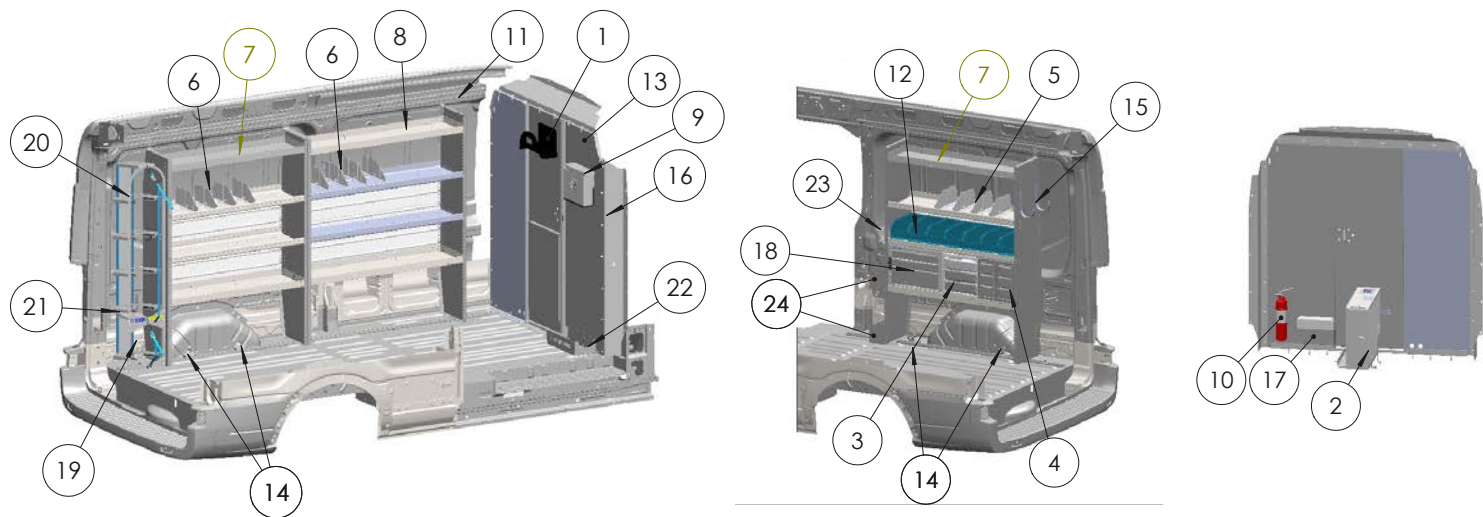
Item:	Description:	Part Number:	Qty:
6	Folding Shelf Kit, 20 x 60 *	FSFK2060	1
7	Shelf Mounting Kit Add-On	FSFMKFTA	1
8	Grab Handle	GHFT	2
9	Rear Step	STEPFTRD	1
10	Side Step	STEPFTSD	1

* Part number comes as a 2 pack.

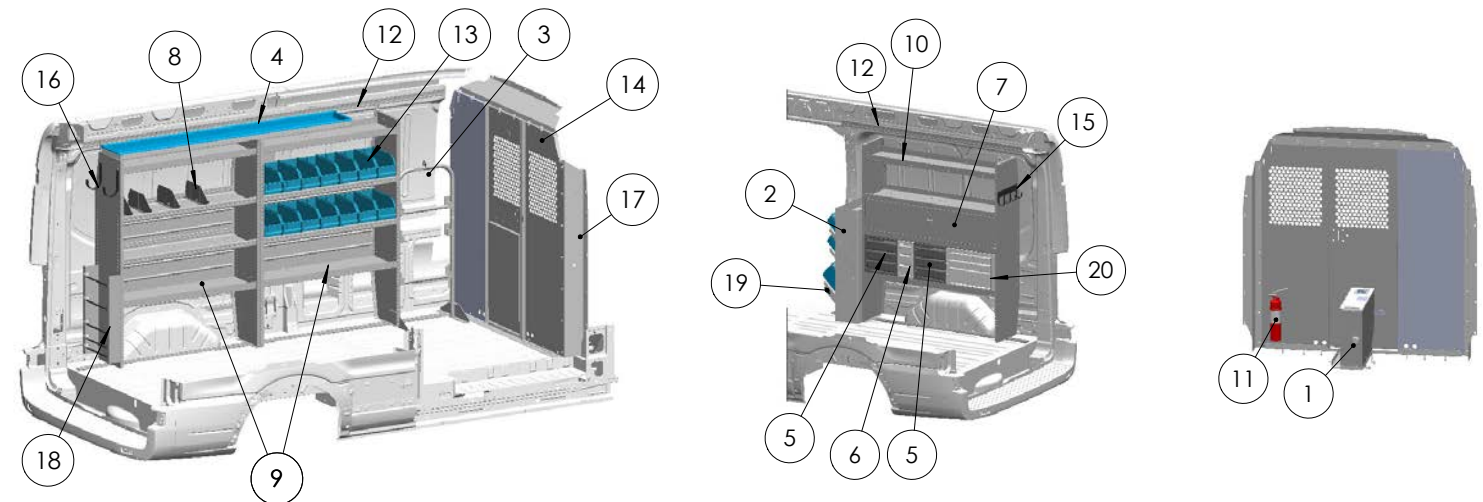
BUILDER / GENERAL CONTRACTOR



HVAC



Electrical Contractor



BUILDER/GENERAL CONTRACTOR

7016TM130 - Transit Mid Roof 130"

7016TM148 - Transit Mid Roof 148"

Item	Part #	Description	Qty
1	CCD9	Center Console	1
2	CH-EP	3-Case Holder w/ Cases	1
3	DK4810	Door Kit, 48"W x 10"H	1
4	DK552	Door kit w/ Back Panel	1
5	DV18KD	18" Shelf Divider, Single	8
6	HAD5059	4-Shelf Unit, 50"W x 14"D x 59"H	1
7	ILR	Interior Ladder Holder	1
8	JD52WP	3-Shelf Unit	2
9	PA8	Fire Extinguisher w/ Bracket	1
10	RK130FTM RK148FTM	Mounting Rail Kit, Transit 130 Mounting Rail Kit, Transit 148	1
11	S1M2C2PM	Steel Partition Panel Kit w/ Visibility	1
12	TA1	4-Hook Bar	1
13	UH50	Utility Hook, 5"	2
14	WKC1FDTM2	Partition Mounting Kit	1

Item	Part #	Description	Qty
15	15372-0	First Aid Kit	1
16	47081	Mounting Rail, 119"	1
17	MB115	Tee Bracket Mounting Assembly	3

HVAC

7017TM130 - Transit Mid Roof 130"

7017TM148 - Transit Mid Roof 148"

Item	Part #	Description	Qty
1	HOSEHLDR	Hose Holder	1
2	CCD9	Center Console	1
3	DC12	3-Drawer Unit, 12"	1
4	DC6	3-Drawer Unit, 6"	2
5	DV14C1	14" Shelf Divider, Single	4
6	DV14C8	14" Shelf Divider, 8-Pack	1
7	HAD4459	4-Shelf Unit, 44"W x 14"D x 59"H	2
8	HAD5059	4-Shelf Unit, 50"W x 14"D x 59"H	1
9	GC1	HVAC Gauge Cover Kit	1
10	PA8	Fire Extinguisher w/ Bracket	1
11	RK130FTM RK148FTM	Mounting Rail Kit, Transit 130 Mounting Rail Kit, Transit 148	1
12	SBIN060614	Snap In Bin, 6"	7
13	S1M1C1PM	Steel Partition Panel, Solid	1
14	TDK4	Tie Down Kit, 4-Pack	1

Item	Part #	Description	Qty
15	UH50	Utility Hook, 5"	2
16	WKC1FDTM2	Partition Mounting Kit	1
17	43293	First Aid Kit w/ Holder	1
18	919	3-Drawer Unit w/ Lock	1
19	130TR	EZLoad™ Tank Rack, (1) 30lb.	1
20	430TR	EZLoad™ Tank Rack, (4) 30lb.	1
21	BAGSTEPRD	Tank Rack Mount	1
22	VPH1	Vacuum Pump Holder	1
23	CH55	5-Slot Caulk Holder, 10 oz.	1
24	66206	14" Solvent Tray	2

ELECTRICAL CONTRACTOR

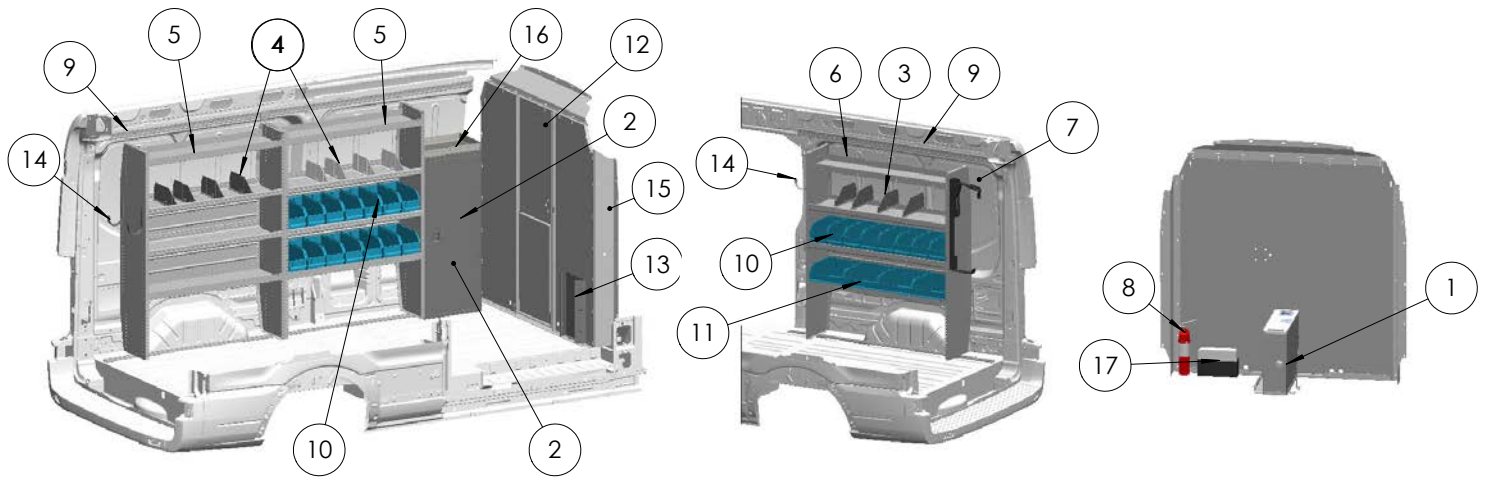
7018TL130 - Transit Mid Roof 130"

7018TL148 - Transit Mid Roof 148"

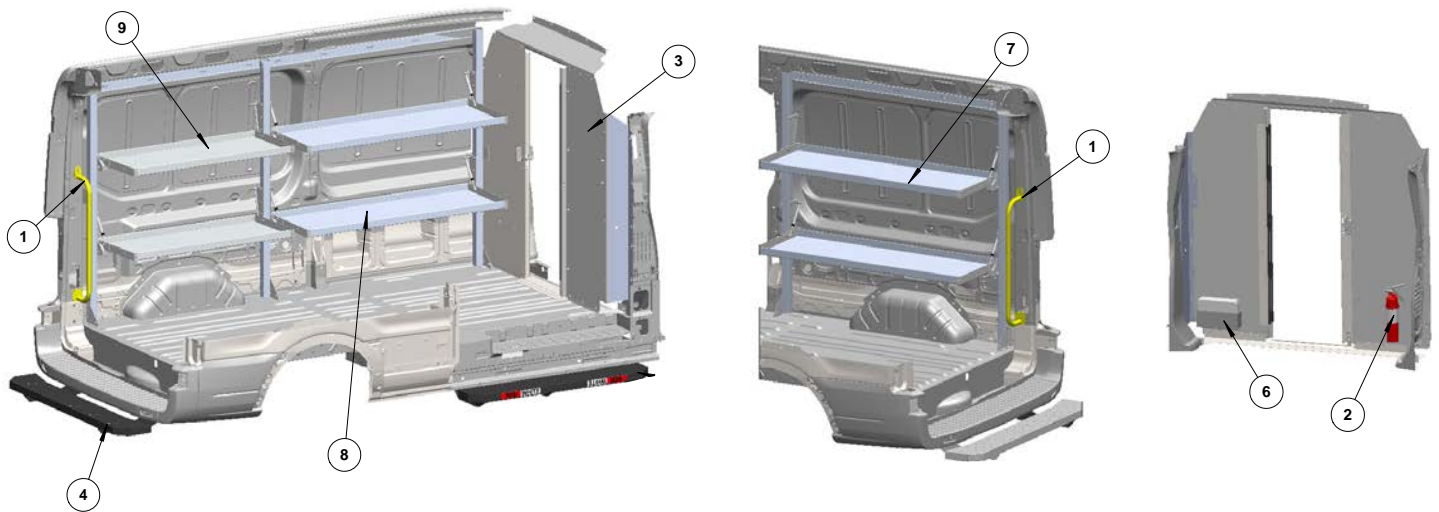
Item	Part #	Description	Qty
1	CCD9	Center Console	1
2	CH-EP	3-Case Holder w/ Cases	1
3	CRH2	Cable Reel Holder	1
4	DBT74TOP	Drill Bit Tray w/ Insert	1
5	DC12	3-Drawer Unit, 12"	1
6	DC6	3-Drawer Unit, 6"	1
7	DK4810	Door Kit w/ Lock, 48"W x 10"H	1
8	DV14C8	14" Shelf Divider, 8-Pack	1
9	HAD4459	4-Shelf Unit, 44"W x 14"D x 59"H	1
10	HAD5059	4-Shelf Unit, 50"W x 14"D x 59"H	1
11	PA8	Fire Extinguisher w/ Bracket	1
12	RK130FTM RK148FTM	Mounting Rail Kit, Transit 130 Mounting Rail Kit, Transit 148	1
13	SBIN060614	Snap In Bin, 6"	1
14	S1M2C2PM	Steel Partition Panel, Solid	1

Item	Part #	Description	Qty
15	TA1	4-Hook Bar	1
16	UH50	Utility Hook, 5"	1
17	WKC1FDTM2	Partition Mounting Kit	1
18	WRH5	Wire Reel Holder	1
19	15372-0	First Aid Kit	1
20	919	3-Drawer Unit w/ Lock	1

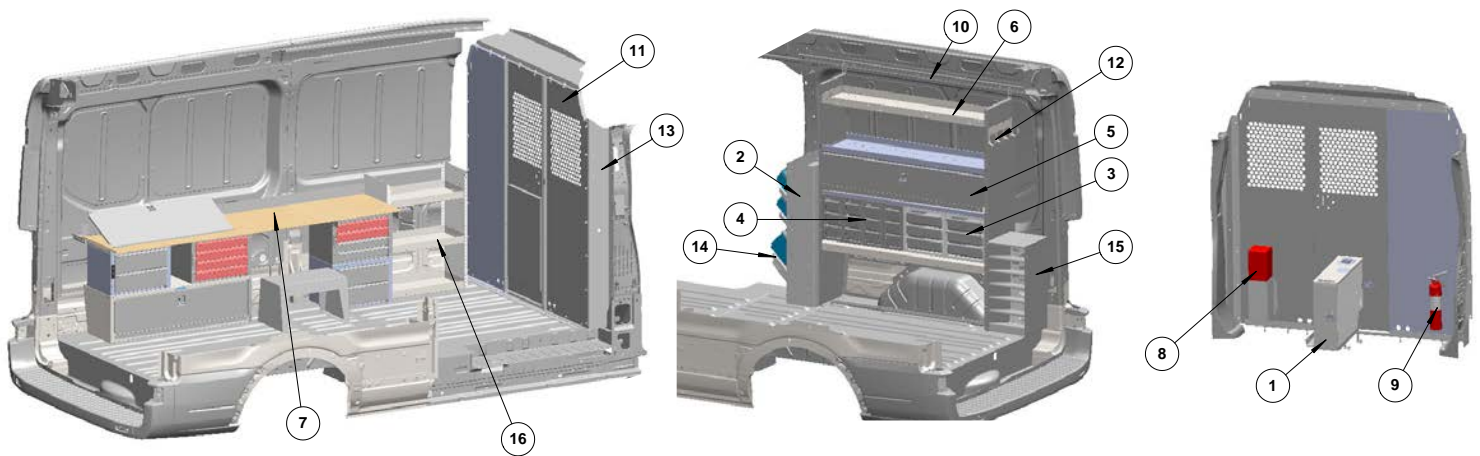
Plumbing



Parcel Delivery



Locksmith



PLUMBING

7019TM130 - Transit Mid Roof 130"

7019TM148 - Transit Mid Roof 148"

Item	Part #	Description	Qty
1	CCD9	Center Console 9"	1
2	CL1446R	Adjustable 3-Shelf Cabinet w/ Lock	1
3	DV14C1	14" Shelf Divider, Single	4
4	DV14C8	14" Shelf Divider, 8-Pack	1
5	HAD4459	4-Shelf Unit 44"W x 14"D x 59"H	2
6	HAD5059	4-Shelf Unit 50"W x 14"D x 59"H	1
7	ILR	Interior Ladder Holder	1
8	PA8	Fire Extinguisher w/ Bracket	1
9	RK130FTM RK148FTM	Mounting Rail Kit, Transit 130 Mounting Rail Kit, Transit 148	1
10	SBIN060614	Snap In Bin, 6"	22
11	SBIN120614	Snap In Bin, 12"	4
12	S1M1C1PM	Steel Partition Panel, Solid	1
13	TH30	Single Tank Holder, 30 lb.	1
14	UH50	Utility Hook, 5"	4

Item	Part #	Description	Qty
15	WKC1FDTM2	Partition Mounting Kit	1
16	4B	Parts Tray	1
17	43293	First Aid Kit w/ Holder	1

PARCEL DELIVERY

7020TM130 - Transit Mid Roof 130"

7020TM148 - Transit Mid Roof 148"

Item	Part #	Description	Qty
1	GHFT	Grab Handle, Transit	2
2	PA8	Fire Extinguisher w/ Bracket	1
3	SPARFTM2	Sliding Door Partition	1
4	STEPFTRD	Rear Door Step	1
5	STEPFTSD	Side Door Step	1
6	43293	First Aid Kit w/ Holder	1
7	62372	Folding Shelf Unit, 60"W x 20"D	1
8	62410	Add-On Folding Shelf Unit, 60"W x 20"D	1
9	62371	Folding Shelf Unit, 48"W x 20"D	1

LOCKSMITH

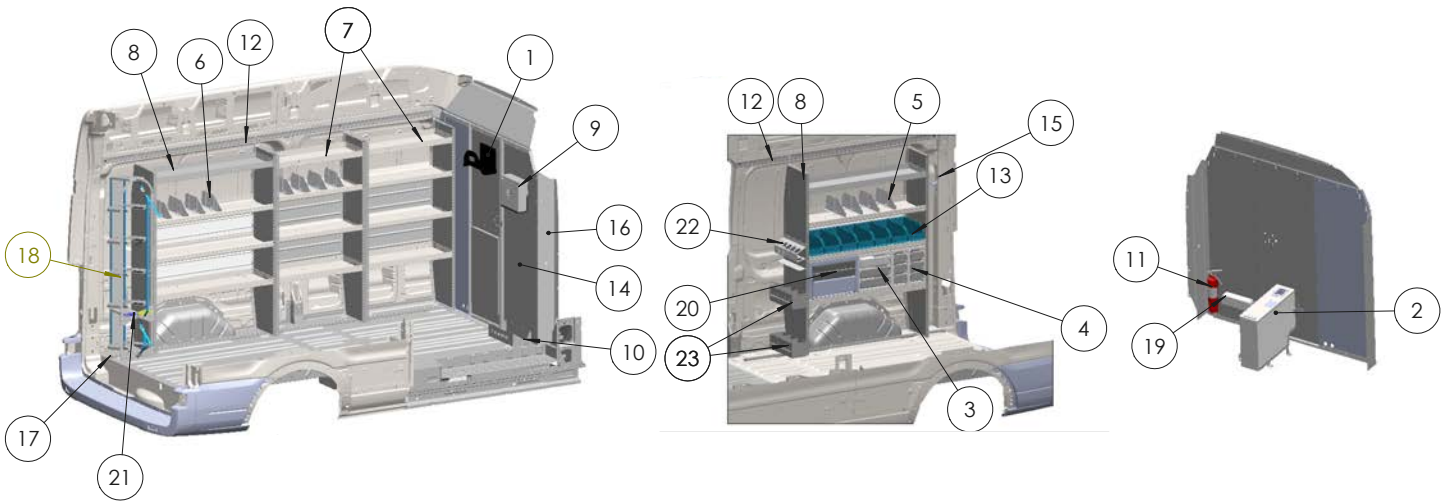
7021TL130 - Transit Mid Roof 130"

7021TL148 - Transit Mid Roof 148"

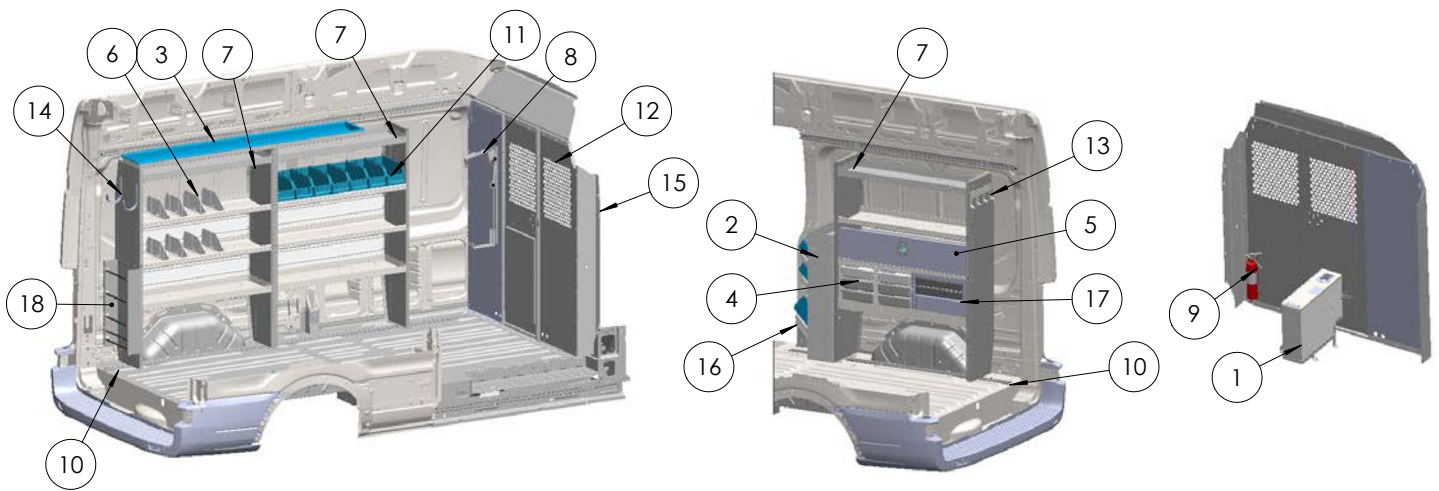
Item	Part #	Description	Qty
1	CCD9	Center Console 9"	1
2	CH-EP	3-Case Holder w/ Cases	1
3	DC12	3-Drawer Unit, 12"	2
4	DC6	3-Drawer Unit, 6"	4
5	DK4808	Door Kit w/ Lock, 48"W x 8"H	1
6	HAD5059	4-Shelf Unit 50"W x 14"D x 59"H	1
7	MD608	Workbench Module	1
8	PA7	Reflector Kit w/ Holder	1
9	PA8	Fire Extinguisher w/ Bracket	1
10	RK130FTMCS RK148FTMCS	Mounting Rail Kit, Transit 130 Mounting Rail Kit, Transit 148	1
11	S1M2C2PM	Steel Partition Panel Kit w/ Visibility	1
12	TA1	4-Hook Bar	1
13	WKC1FDTM2	Partition Mounting Kit	1
14	15372-0	First Aid Kit	1

Item	Part #	Description	Qty
15	17A	6-Shelf File Holder	1
16	46455	3-Shelf Unit	1

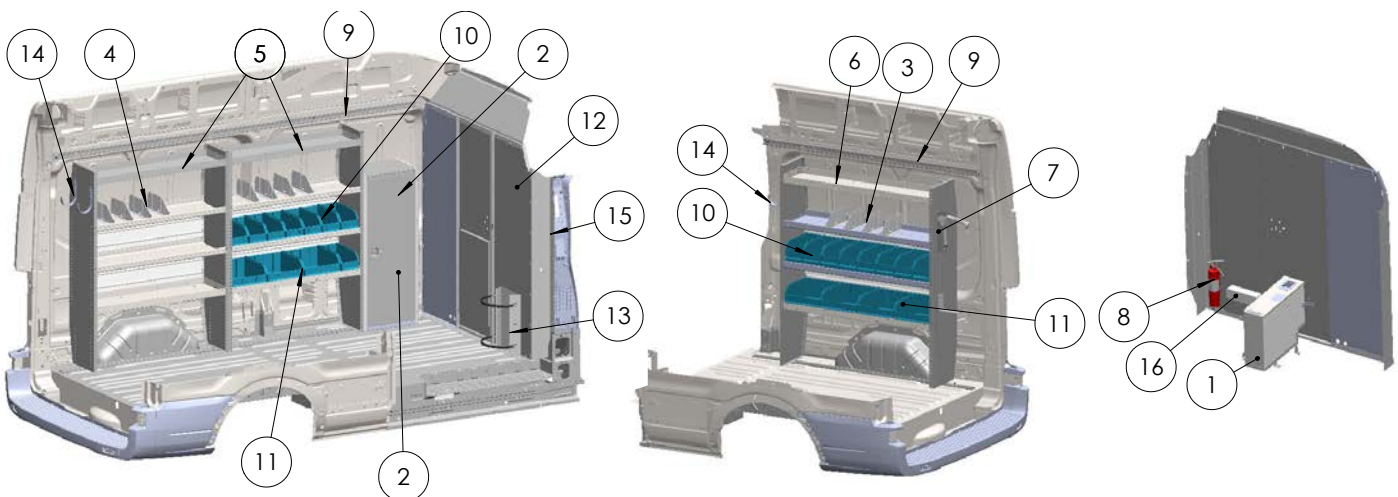
HVAC



Electrical



Plumbing



HVAC

7017TH148 - Transit High Roof 148"

Item	Part #	Description	Qty
1	HOSEHLDR	Hose Holder	1
2	CCD9	Center Console 9"	1
3	DC12	3-Drawer Unit, 12"	1
4	DC6	3-Drawer Unit, 6"	2
5	DV14C1	14" Shelf Divider, Single	4
6	DV14C8	14" Shelf Divider, 8-Pack	1
7	HAD3259	4-Shelf Unit 32"W x 14"D x 59"H	2
8	HAD4459	4-Shelf Unit 44"W x 14"D x 59"H	2
9	GC1	HVAC Gauge Cover Kit	1
10	VPH1	Vacuum Pump Tray	1
11	PA8	Fire Extinguisher w/ Bracket	1
12	RK148FTM	Mounting Rail Kit, Transit 148	1
13	SBIN060614	Snap In Bin, 6"	7
14	S1M1C1PM	Steel Partition Panel Kit, Solid	1

Item	Part #	Description	Qty
15	UH50	Utility Hook, 5"	2
16	WKC1FDTH2	Partition Mounting Kit	1
17	130TR	EZLoad™ Tank Rack, (1) 30lb.	1
18	430TR	EZLoad™ Tank Rack, (4) 30lb.	1
19	43293	First Aid Kit w/ Holder	1
20	919	3-Drawer Unit w/ Lock	1
21	BAGSTEPRD	Tank Rack Mount	1
22	CHS5	5-Slot Caulk Holder, 10 oz.	1
23	66206	14" Solvent Tray	2

ELECTRICAL

7018TH148 - Transit High Roof 148"

Item	Part #	Description	Qty
1	CCD9	Center Console 9"	1
2	CH-EP	3-Case Holder w/ Cases	1
3	DBT74TOP	Drill Bit Tray w/ Insert	1
4	DC12	3-Drawer Unit, 12"	1
5	DK4208	Door Kit, 42"W x 8"H	1
6	DV14C8	14" Shelf Divider, 8-Pack	1
7	HAD4459	4-Shelf Unit 44"W x 14"D x 59"H	1
8	ILR	Interior Ladder Holder	1
9	PA8	Fire Extinguisher w/ Bracket	1
10	RK148FTM	Mounting Rail Kit, Transit 148	1
11	SBIN060614	Snap In Bin, 6"	7
12	S1M2C2PM	Steel Partition Panel Kit w/ Visibility	1
13	TA1	4-Hook Bar	1
14	UH50	Utility Hook, 5"	1

Item	Part #	Description	Qty
15	WKC1FDTH2	Partition Mounting Kit	1
16	15372-0	First Aid Kit	1
17	919	3-Drawer Unit w/ Lock	1
18	WRH5	Wire Reel Holder	1

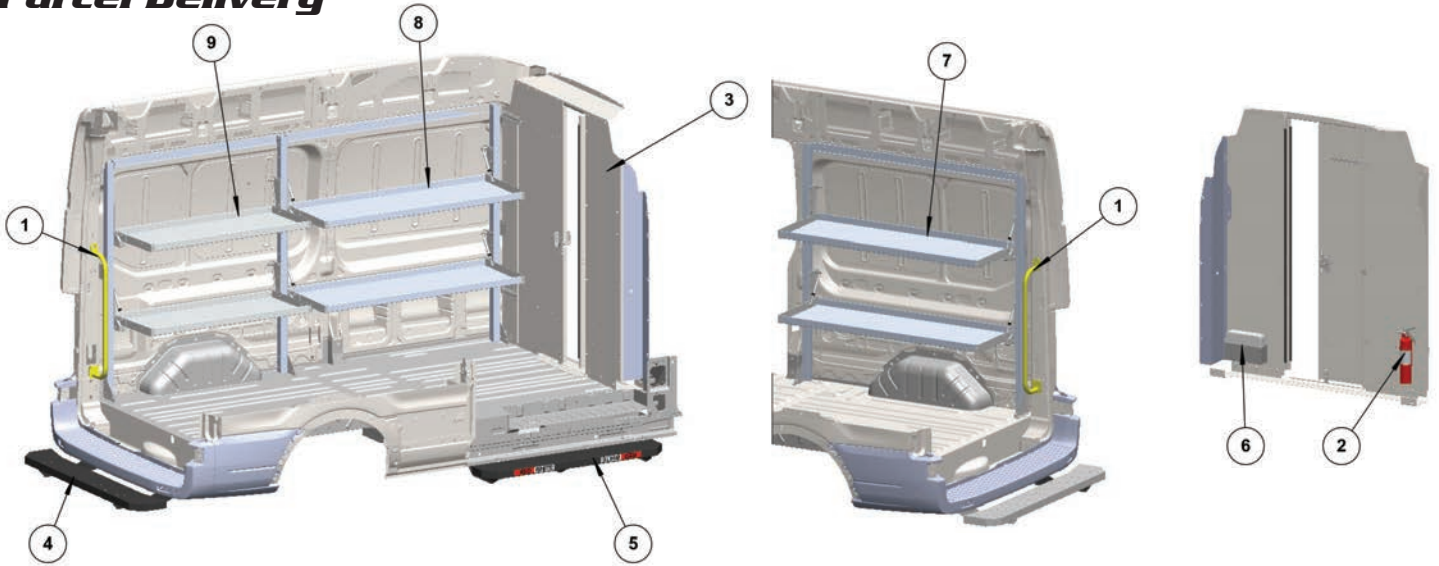
LOCKSMITH

7019TH148 - Transit High Roof 148"

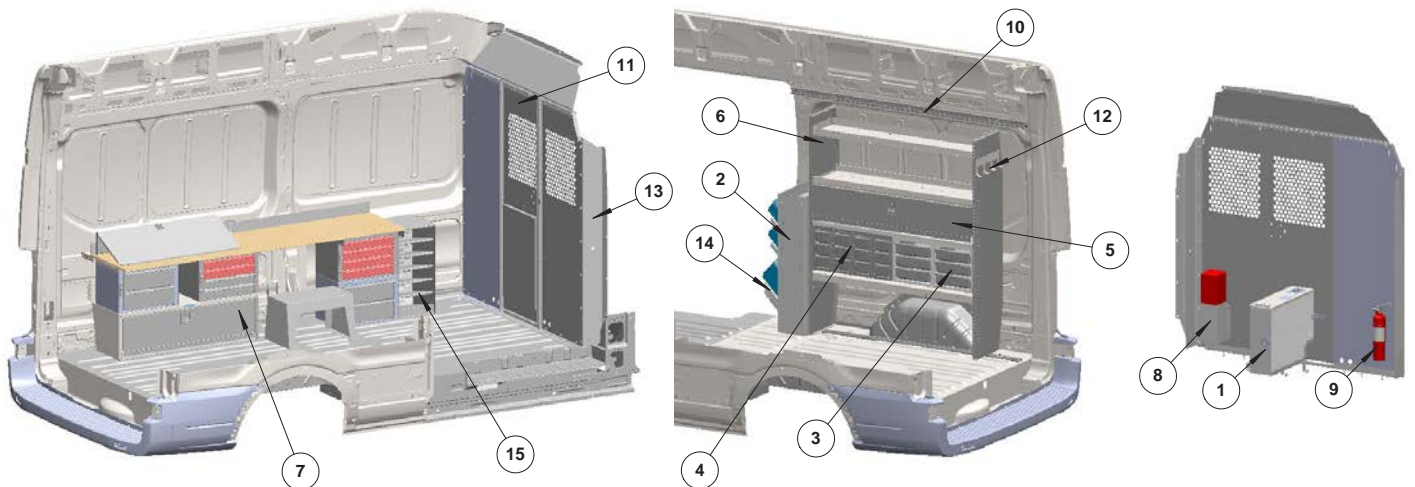
Item	Part #	Description	Qty
1	CCD9	Center Console 9"	1
2	CL1446R	Adjustable 3-Shelf Cabinet w/ Lock	1
3	DV14C1	14" Shelf Divider, Single	4
4	DV14C8	14" Shelf Divider, 8-Pack	1
5	HAD4459	4-Shelf Unit 44"W x 14"D x 59"H	2
6	HAD5059	4-Shelf Unit 50"W x 14"D x 59"H	1
7	ILR	Interior Ladder Holder	1
8	PA8	Fire Extinguisher w/ Bracket	1
9	RK148FTM	Mounting Rail Kit, Transit 148	1
10	SBIN060614	Snap In Bin, 6"	16
11	SBIN120614	Snap In Bin, 12"	7
12	S1M1C1PM	Steel Partition Panel Kit, Solid	1
13	TH30	Single Tank Holder, 30 lb.	1
14	UH50	Utility Hook, 5"	4

Item	Part #	Description	Qty
15	WKC1FDTH2	Partition Mounting Kit	1
16	43293	First Aid Kit w/ Holder	1

Parcel Delivery



Locksmith



Scan the QR code for
Transit High Roof 148" Extended packages

PARCEL DELIVERY**7020TH148** - Transit High Roof 148"

Item	Part #	Description	Qty
1	GHFT	Grab Handle, Rear Door, Ford Transit	2
2	PA8	Fire Extinguisher	1
3	SPARFTH2	Sliding Door Partition	1
4	STEPFTRD	Rear Door Step	1
5	STEPFTSD	Side Door Step	1
6	43293	First Aid Kit w/ Holder	1
7	62372	Folding Shelf Unit, 20"D x 60"W	1
8	62410	Add-On Folding Shelf Unit, 20"D x 60"W	1
9	62371	Folding Shelf Unit, 20"D x 48"W	1

LOCKSMITH**7021TH148** - Transit High Roof 148"

Item	Part #	Description	Qty
1	CCD9	Center Console 9"	1
2	CH-EP	3-Case Holder w/ Cases	1
3	DC12	3-Drawer Unit, 12"	2
4	DC6	3-Drawer Unit, 6"	4
5	DK4808	Door Kit w/ Lock, 48"W x 8"H	1
6	HAD5059	4-Shelf Unit 50"W x 14"D x 59"H	1
7	MD608	Workbench Module	1
8	PA7	Reflector Kit w/ Holder	1
9	PA8	Fire Extinguisher w/ Bracket	1
10	RK148FTMCS	Mounting Rail Kit, Transit 148	1
11	S1M2C2PM	Steel Partition Panel Kit w/ Visibility	1
12	TA1	4-Hook Bar	1
13	WKC1FDTH2	Partition Mounting Kit	1
14	15372-0	First Aid Kit	1
15	17A	6-Shelf File Holder	1

MODEL	PAGE	DESCRIPTION	MODEL	PAGE	DESCRIPTION	MODEL	PAGE	DESCRIPTION
1	14	Adjustable Single Shelf CabINeT w/Lock	4319TH148X	34	Electrical & Gas Starter Package	80-2	25	Conduit Kit
12	14	Adjustable Single Shelf Cabinet w/Lock	4319TL130	28	Electrical & Gas Starter Package	80-2NGLR	27	12'6" Conduit Kit
12A	14	Cabinet End Panel	4319TL148	34	Electrical & Gas Starter Package	8	13, 15	3-Drawer Unit
14	21	Step Stool	4319TM130	34	Electrical & Gas Starter Package	9	15	4-Drawer Unit w/ Lock
17A	13, 17	6-Shelf Catalog File	4319TM148	34	Electrical & Gas Starter Package	919	15	3-Drawer Unit w/ Lock
18	13	Welded 3-Shelf Unit w/ Dividers	4432	12	Welded 3-Shelf Unit	66246	21	Open Storage Box Tray, 24"
19	15	2-Drawer Unit w/ Lock	4442	12	Welded 3-Shelf Unit	66206	21	Open Storage Box Tray, 14"
1A	14	Cabinet Shelf	4450	12	Welded 3-Shelf Unit	33881	21	Instant Folding Work Table
130TR	20	Tank Rack, (1) 30 lb.	45047	20	Burco glass rack	66241	21	Battery Charging Station
230TR	20	Tank Rack, (2) 30 lb.	46361-G	37	Mounting Bracket	66761	21	Gas Cylinder/Spray Bottle Holder, Small
330TR	20	Tank Rack, (3) 30 lb.	4B	21	Parts Tray	66764	21	Gas Cylinder/Spray Bottle Holder, Large
430TR	20	Tank Rack, (4) 30 lb.	5217	36	HVAC Starter Package	62425	12	Folding Shelf Unit, 36W x 20"D
150TR	20	Tank Rack, (1) 50 lb.	5219	36	General Service Starter Package	62371	12	Folding Shelf Unit, 48W x 20"D
250TR	20	Tank Rack, (2) 50 lb.	5220	37	Electrical Package	62372	12	Folding Shelf Unit, 60W x 20"D
350TR	20	Tank Rack, (3) 50 lb.	5222	37	Plumbing Starter Package	62373	12	Folding Shelf Unit, 72W x 20"D
130150TR	20	Tank Rack, (1) 30 lb. (1) 50 lb.	5225	37	General Service Starter Package	63670	12	Folding Shelf Unit Add-On Kit, 36W x 20"D
130250TR	20	Tank Rack, (1) 30 lb. (2) 50 lb.	5274TH	35	Locksmith Starter Package	62409	12	Folding Shelf Unit Add-On Kit, 48W x 20"D
230150TR	20	Tank Rack, (2) 30 lb. (1) 50 lb.	5274TL	35	Locksmith Starter Package	62410	12	Folding Shelf Unit Add-On Kit, 60W x 20"D
1ACTR	20	1-Acetylene Tank Holder	5274TM	35	Locksmith Starter Package	62411	12	Folding Shelf Unit Add-On Kit, 72W x 20"D
2ACTR	20	2-Acetylene Tank Holder	60-132	19	Passenger Side Rear Door Security Screen	ACT3	21	3-Place Aerosol Can Holder
2	15	4-Drawer Unit	60-133	19	Driver Side Rear Door Security Screen	ACT4	21	4-Place Aerosol Can Holder
27	15	Drawer Divider Assembly	60-134	19	Passenger Side Rear Door Security Screen	AD1226TC14	10	Adjustable 3-Shelf Unit
28	12	Parts Bin	60-135	19	Driver Side Rear Door Security Screen	AD1232TC14	10	Adjustable 3-Shelf Unit
2B4W	28	2-Bar w/ 4" Uprights	60-136	19	Passenger Side Sliding Door Security Screen	AD1426TC14	10	Adjustable 3-Shelf Unit
2B6W	28	2-Bar w/ 6" Uprights	60-138	19	Passenger Side Sliding Door Security Screen	AD1432TC14	10	Adjustable 3-Shelf Unit
2B9W	28	2-Bar w/ 9" Uprights	60-140	19	Passenger Side Door Security Screen	AD32FP	10, 11	Adjustable 3-Shelf Unit
35325-G	10	32" ADseries Shelf	60-141	19	Passenger Side Door Security Screen	AD44FP	10, 11	Adjustable 3-Shelf Unit
35327-G	10	44" ADseries Shelf	60-TC14RB	19	Rear Doors Security Screen Kit	AD50FP	10, 11	Adjustable 3-Shelf Unit
35328-G	10	50" ADseries Shelf	60-TCL14S	19	Sliding Doors Security Screen Kit	BH4	17	4-Slot Literature Rack
3B4W	28	3-Bar w/ 4" Uprights	60-TCS14S	19	Sliding Doors Security Screen Kit	BRK14EPS	10	End Panel Mounting Bracket
3B6W	28	3-Bar w/ 6" Uprights	60-TRLHDRD	19	Passenger Side Hinged & Rear Doors Security Screen Kit	CB5	17	5-Slot Literature Rack
3B9R9W	28	3-Bar w/ 9" & 9" Ratchet Uprights	60-TRLRDR	19	Rear Doors Security Screen Kit	CB7	17	7-Slot Literature Rack
3B6RRFTW	28	3-Bar w/ 6" Uprights & Rear Roller, Transit	60-TRMSDR	19	Passenger Side Sliding & Rear Doors Security Screen Kit	CCD6	17	Center Console
40	14	Wheelhouse Bin	60-TRMHRDR	19	Rear Doors Security Screen Kit	CCD9	17	Center Console
43	13, 17	3-Shelf Literature Rack	60-TRMSDR	19	Passenger Side Sliding & Rear Doors Security Screen Kit	CCDHF6	17	Center Console Hanging File
4317TH148	34	General Service Starter Package	70-1LR	22, 24	Conduit Kit w/ Round End Caps	CCDLTH	17	Center Console Laptop Holder
4317TH148X	34	General Service Starter Package	70-1NGLR	27	4" End Cap for PVC Conduit	CH55	21	5-Slot Caulk Tube Holder, 10 oz.
4317TL130	34	General Service Starter Package	70-2LR	22, 24	Conduit Kit w/ Round End Caps	CH58	21	8-Slot Caulk Tube Holder, 10 oz.
4317TL148	34	General Service Starter Package	70-2NGLR	27	6" End Cap for PVC Conduit	CHL4	21	4-Slot Caulk Tube Holder, 29 oz.
4317TM130	34	General Service Starter Package	80-1	25	Conduit Carrier	CHL7	21	7-Slot Caulk Tube Holder, 29 oz.
4317TM148	34	Gen Svc. Pkg, 148" med roof	80-1NGLR	27	10'6" Conduit Kit	CH-1514DBL	16	2-Case Holder w/ Cases
4318TH148	35	Plumbing & HVAC Starter Package				CH-EP	16	3-Case Holder w/ Cases
4318TH148X	35	Plumbing & HVAC Starter Package				CH1514SGL	16	Single Case Holder w/ Case
4318TL130	33	Plumbing & HVAC Starter Package				CHPPC4S	16	4-Case Holder w/ Cases
4318TL148	33	Plumbing & HVAC Starter Package				CHPPC5SM	16	5-Case Holder w/ Cases
4318TM130	35	Plumbing & HVAC Starter Package				CL1446R	14	Adjustable 3-Shelf Cabinet w/ Lock
4318TM148	35	Plumbing & HVAC Starter Package				DC12	15	3-Drawer Unit
4319TH148	34	Electrical & Gas Starter Package				DC6	15	3-Drawer Unit
						DDPLDS	22	Driver Side Max-Drop ProLift Kit
						DDPLPS	22	Passenger Side Max-Drop ProLift Kit, Low Roof
						DDPLDSMH	22	Driver Side Max-Drop ProLift Kit, Mid/High Roof

MODEL	PAGE	DESCRIPTION	MODEL	PAGE	DESCRIPTION	MODEL	PAGE	DESCRIPTION
DDPLPSMH	22	Passenger Side Max-Drop ProLift Kit, Mid/High Roof	LK8FT148	25	Ceiling Ladder Holder	PPCS	16	Small Portable Parts Case
DK26TC	10	Door Kit	LK8FT	25	Ceiling Ladder Holder	PROFILE RACK	26,27	HD Utility Rack
DK3010	10	Door Kit	MD506	13	Shelf and Drawer Module	RK130FTM	10	Mounting Rail Kit
DK32TC	10	Door Kit	MD507	13	Shelf and Drawer Module	RK130FTS	10	Mounting Rail Kit
DK4208	10	Door Kit w/ Open Back	MD508	13	Workbench Module	RK148FTHE	10	Mounting Rail Kit
DK4210	10	Door Kit w/ Open Back	MD509	13	Workbench Module	RK148FTM	10	Mounting Rail Kit
DK4810	10	Door Kit	MD608	13	Module, Workbench	RK148FTS	10	Mounting Rail Kit
DK532	12	Door Kit w/ Back Panel	P2TCFW14	9	Wire Partition	RKA1	10	Rail Kit Adapter
DK544	12	Door Kit	P2TCS14	9	Steel Partition w/ Visibility	RKA3	10	Rail Kit Adapter
DK550	12	Door Kit	PA10	8	File Holder	RKA4	10	Rail Kit Adapter
DST21	21	Door Storage Tray	PA5-1	8	Partition Climate Control Kit	RKA919	10	Drawer Riser Kit
DT21	21	Door Tray	PA5-2	8	Partition Climate Control Kit	RKAWTR	10	Welded Tank Rack Rail Adapter
DTL21	21	Door Tray Lid	PA5-SPR	8	Partition Climate Control Kit	RKDTC14	10	Mounting Rail Kit
DTWL21	21	Door Tray w/ Latching Lid	PA7	8	Reflector Kit w/ Bracket	RKTC14	10	Mounting Rail Kit
DV12	10	Shelf Divider	PA8	8	Fire Extinguisher	RRBFTRP-W	25	Rear Roller Bar
DV12AD	10	Shelf Divider	PA9	8	First Aid Tray	RRKFT	24	Mounting Roof Rail Kit (PROFILE)
DV14	10	Shelf Divider	PARFTH2-NW	7	Composite Partition	S1M1C1FSV	6, 7	Steel Partition Panel Kit
DV14C8	10	14" Shelf Dividers	PARFTH2	7	Composite Partition w/ Visibility	S1M1C1PM	6, 7	Steel Partition Panel Kit
DV19	18	Floor Drawer Divider	PARFTL2-NW	6	Composite Partition	S1M2C2FSV	6, 7	Steel Partition Panel Kit w/ Visibility
DV44L1	12	LoWer Shelf Divider	PARFTL2	6	Composite Partition w/ Visibility	S1M2C2PM	6, 7	Steel Partition Panel Kit w/ Visibility
DV44L4	12	Lower Shelf Divider Kit	PARFTM2-NW	7	Composite Partition	S1M2HC2FSV	6, 7	Partition, low roof
DV44U1	12	Top Shelf Divider	PARFTM2	7	Composite Partition w/ Visibility	S1M2HC2PM	6, 7	Steel Partition Panel Kit w/ Visibility & Door Kit
DV44U	12	Top Shelf Divider Kit	PARTC-NW	8	Composite Partition	SA-10	18	Single Compartment Floor Drawer
DV44U4	12	Top Shelf Divider Kit	PARTC	8	Composite Partition w/ Visibility	SA-20	18	Single Compartment Floor Drawer
DV9	18	Floor Drawer Divider	PDK1	8	Steel Partition Door Kit	SA-40	18	Triple Compartment Floor Drawer
DVJ19	18	Floor Drawer Divider	PLSDPSLW	22	Passenger Side Standard-Drop ProLift Kit, Low Roof	SAJ-10	18	Single Compartment Floor Drawer
DVJ9	18	Floor Drawer Divider	PLSDDSLW	22	Driver Side Standard-Drop ProLift Kit, Low Roof	SAJ-20	18	Single Compartment Floor Drawer
FSFK2048	31	Folding Shelf Kit, 20 x 48	PLMDPSLW	22	Passenger Side Max-Drop ProLift Kit, Low Roof	SAJ-30	18	Double Compartment Floor Drawer
FSFK2060	31	Folding Shelf Kit, 20 x 60	PLMDDSLW	22	Driver Side Standard-Drop ProLift Kit, Low Roof	SAJ-40	18	Triple Compartment Floor Drawer
FSFMKFT	31	Shelf Mounting Kit	PLMDDSMW	22	Driver Side Standard-Drop ProLift Kit, Mid Roof	SBIN060614	20	Snap In Bin
FSFMKFTA	31	Shelf Mounting Kit Add-On	PLMDPSHW	22	Passenger Side Max-Drop ProLift Kit, High Roof	SBIN120614	20	Snap In Bin
FSFPKMH	31	Upright Mounting Kit	PLMDDSHW	22	Driver Side Standard-Drop ProLift Kit, High Roof	SBINDIV	20	Snap In Bin Divider
FSFPKMHA	31	Upright Mounting Kit Add-On	PLS61TL	22	Passenger Side Standard-Drop ProLift Ladder Rack, LR	SDPLDS	22	Driver Side Standard-Drop ProLift Kit
FTMBK4W	28	Mounting Brackets, 4-Pack	PLS63TL	22	Dual Side Standard-Drop ProLift Ladder Rack, Low	SDPLPS	22	Passenger Side Standard-Drop ProLift Kit
FTMBK2W	28	Mounting Brackets, 2-Pack	PLS64TL	22	Passenger Side Standard-Drop, Driver Side Grip-Lock	SPARFTH2	31	Sliding Partition, Transit High Roof
GHFT	31	Grab Handle	PLM61TL	22	Passenger Side Max-Drop ProLift Ladder Rack, Low	SPARFTM2	31	Sliding Partition, Transit Mid Roof
GL-FSVDS	24	Driver Side Grip-Lock Kit (PROFILE)	PLM63TL	22	Dual Side Max-Drop ProLift Ladder Rack, Low	STEPTRD	21, 31	Rear Door Step
GL-FSVPS	24	Passenger Side Grip-Lock Kit (PROFILE)	PLM64TL	22	Passenger Side Standard-Drop, Driver Side Grip-Lock	STEPFTSD	21, 31	Side Door Step
GL61TL	24	Single Grip-Lock Ladder Rack (PROFILE)	PLM61TM	22	Passenger Side Max-Drop ProLift Ladder Rack, Mid	STEPFT130	21	Side Door Step, Transit 130"
GL63TL	24	Double Grip-Lock Ladder Rack (PROFILE)	PLM63TM	22	Dual Side Max-Drop ProLift Ladder Rack, Mid	STP12B	21	Touch-Up Paint
HAD4459	11	Hybrid 4-Shelf Unit	PLM61TH	22	Passenger Side Max-Drop ProLift Ladder Rack, High	STP12G	21	Touch-Up Paint
HAD5059	11	50" HAD Shelving	PLM63TH	22	Dual Side Max-Drop ProLift Ladder Rack, High	STP12W	21	Touch-Up Paint
HD4459	11	4-Shelf Unit	PPCL	16	Large Portable Parts Case	TA1	8	4-Hook Bar
HD5059	11	4-Shelf Unit				TA19	14	Compressed Gas Tank Cabinet
HD-1632TL	12	16" 4-Shelf Unit				TA1WAD	32	4-Hook Bar w/ Adapter
HD-1640TL	12	16" 4-Shelf Unit				TA2	21	Hard Hat Holder
HD-1644TL	12	16" 4-Shelf Unit				TCMBK4W	28	Mounting Brackets, 4-Pack
HD-1650TL	12	16" 4-Shelf Unit				TCMBK2W	28	Mounting Brackets, 2-Pack
HD-1660TL	12	16" 4-Shelf Unit				TDC6	17	Tech Desk Console
HD-1632HR	12	16" 4-Shelf Unit						
HD-1640HR	12	16" 4-Shelf Unit						
HD-1644HR	12	16" 4-Shelf Unit						
HD-1650HR	12	16" 4-Shelf Unit						
HD-1660HR	12	16" 4-Shelf Unit						
ILR	25	Ladder Holder						
JD42FP	11	3-Shelf Unit						
JD48FP	11	2-Shelf Unit						
JD52FP	11	3-Shelf Unit						
JD60FP	11	3-Shelf Unit						
KMB36	13	Key Machine Base						

TDC9	17	Tech Desk Console
UH10	21	Utility Hook
UH25	21	Utility Hook
UH50	21	Utility Hook
VMA24F	21	Professional's Folding Vice Mount
VMA24F-WV	21	Professional's Folding Vice, With Snap-On® Vice
WKC1FDTH2	7	Steel Partition Mounting Kit
WKC1FDTM2	7	Steel Partition Mounting Kit
WKC1FDTS2	7	Steel Partition Mounting Kit
WRH5	19	5-Bar Spool Holder



ADRIAN STEEL®

Cargo Management Solutions for Commercial Vehicles



QUALITY

- Our products are durable and reliable. Warranty claims are less than 1% of sales.
- Our warranty covers our products for three years or 36,000 miles.

INNOVATIVE PRODUCTS WITH FEATURES THAT MATTER

- Drawers that stay closed while in transit.
- ADseries truly adjustable shelving platform.
- Drop Down and Grip Lock ladder racks that load and unload the safe and right way.
- Interior ladder storage.
- Plug and Play accessories.
- Anti-slam drawer latches, and much more!

COMMITMENT

At Adrian Steel, we are committed to you beyond the upfit!

- A dedicated Customer Care Team at corporate headquarters.
- A network of highly qualified distributors to support you locally.
- Our commitment to provide the best cargo management solutions in North America.



EXPERIENCE

- **Over One Million vans upfitted**, and counting! It's a fact that an organized vehicle increases work flow efficiencies and reduces inventory damages.
- Recognized as a National Truck Equipment Association MVP.

SERVICE

- Adrian Steel Products can be purchased throughout North America at authorized Adrian Steel distributors.
- Adrian Steel Customer Service Representatives are available M-F, 8am - 5pm EST at **1-800-677-2726**.
- E-mail us at info@adriansteel.com with questions, comments and feedback.
- Visit AdrianSteel.com for the most up-to-date product information, distributor locator, product catalogs, videos and more.

adriansteel.com

800-677-2726

906 James St.
Adrian, MI 49221