



NXT40 HOOKLIFT

Featuring a best-in-class 10.5" lost load height and powerful 40,000-lb capacity, the Stellar[®] NXT40 Hooklift can cover a wide range of jobs. It handles 16' – 22' bodies for 174" – 214" CT chassis, and the bolt-on body lock system provides universal adjustment for outside locks. For reliable performance and amazing versatility, count on the NXT40.

KEY FEATURES

High strength without added weight

- **Z-rail design:** The base is pre-drilled to allow for efficient installation on the chassis and to allow body saddles to be installed where needed.

Do more with one truck

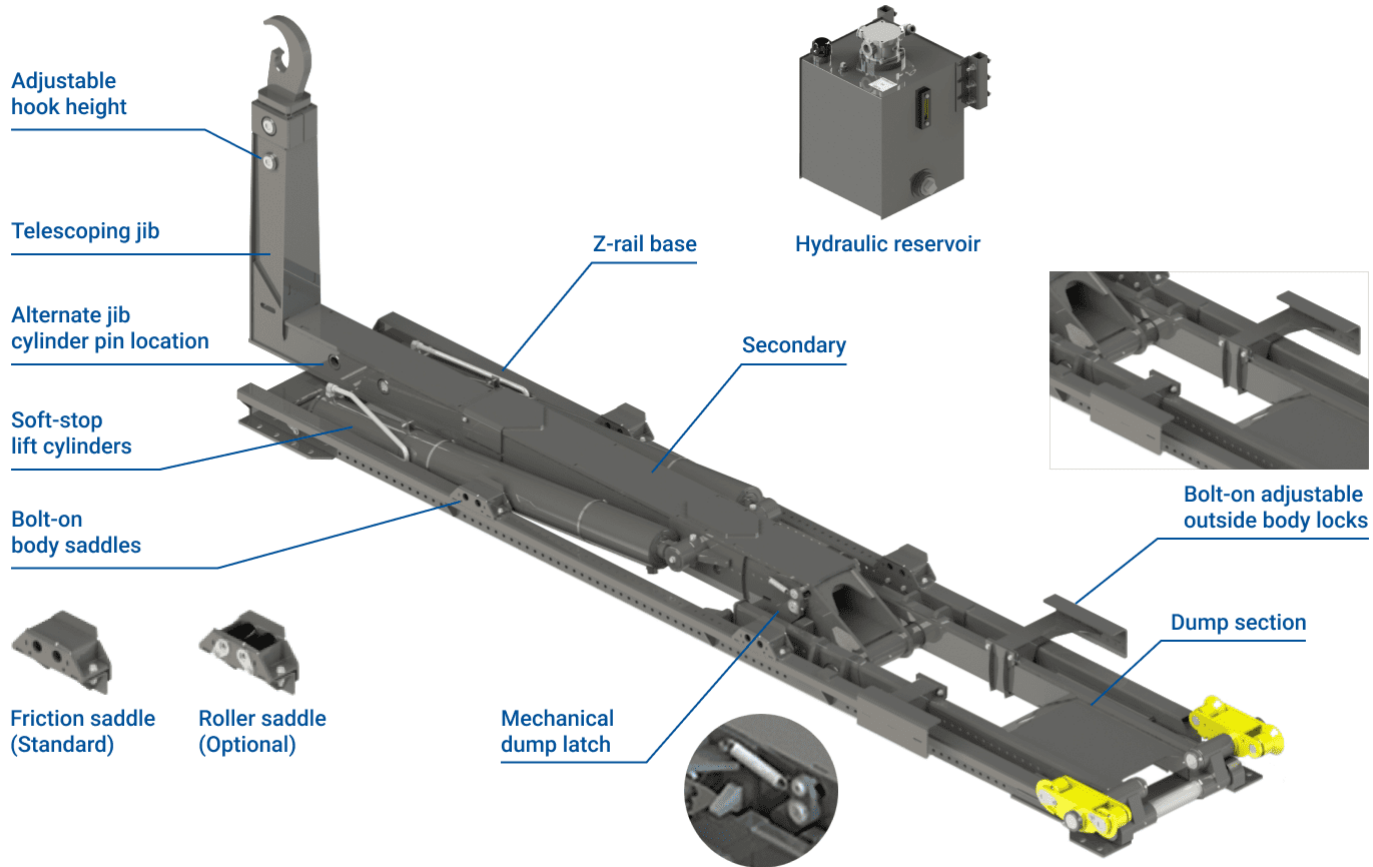
- **Telescopic jib:** Multiplate design provides a lightweight yet sound structure for handling a wide range of body lengths.
- **Adjustable jib cylinder:** The jib cylinder pin location can be changed to allow for handling shorter bodies.
- **Universal latching system:** The industry-leading bolt-on adjustable body locks provide specific adjustment of outside locks.
- **Adjustable hook height:** Set the hook height to match the lift bar height of a fleet of containers with either manual adjustable or hydraulic adjustable hook inserts.

Best-in-class lost load height

- **Compact secondary design:** A lost load height of 10.5" when combined with the dump section delivers an industry-leading below-grade hook bar approach. Accommodates down to 6" subframe heights.
- **Wear pad design:** Integrated replaceable wear pads for easier serviceability.

Timesaving convenience

- **Lift cylinders:** The integrated soft-stop feature brings the body to rest gently on the body saddles.
- **Speed enhancement:** This lift cylinder feature can cut cycle time as much as 75%.
- **In-cab controls:** Air controls allow for precise metering of the manual hydraulic drive.
- **Hydraulic reservoir:** The universal mounting bracket lets you place the 25-gallon reservoir where you want it on the side of the chassis.



SPECIFICATIONS

Hook Height: 54" (1,372 mm) or 61.75" (1,568 mm)

Lift Capacity: 54" HH: 40,000 lbs (18,144 kg)
61.75": HH: 40,000 lbs (18,144 kg)

Dump Capacity: 40,000 lbs (18,144 kg)

Cycle Times: Tilt/Dump Extend: 25 seconds
Tilt/Dump Retract: 70 seconds
Jib Extend: 11 seconds
Jib Retract: 10 seconds
(Times based on 24 gpm of oil flow.)

Shipping Weight: Long version: 5,590 lbs (2,535 kg)
(Without reservoir and body locks.)

Body Lengths: Short version: 16' – 20' (4,877 – 6,096 mm)
Long version: 16' – 22' (4,877 – 6,706 mm)

Min. Truck GVWR: 54,000 lbs (24,494 kg)

Maximum Hydraulic Flow: 24 gpm (90.8 lpm)

Operating Pressure: 4,500 psi (310 bar)

Valve Bank: Monoblock main valve with main pressure relief valve and optional power beyond port.

Load Holding Valves: All cylinders are equipped with counterbalance valves to prevent cylinder collapse in the event of a hose failure.

Hydraulic Pump Kits: Kit includes a PTO control module that disengages the PTO if a set rpm is exceeded.

Components: Main components are manufactured with high-strength steel. Greasable bushings at all pivot points.
All pins are zinc-plated carbon steel as standard with an option to upgrade to

type 17-4 stainless pins.

Finish: All weldments are painted with two-part polyurethane enamel prior to assembly.

Warranty: Stellar-manufactured structural parts: 5 years
Paint adhesion on Stellar-manufactured parts: 3 years
Purchased parts and labor: 1 year
Labor on Stellar workmanship: 1 year

DIMENSIONS

Description	NXT40S – 54" OR 62"	NXT40L – 54" OR 62"
A. Overall Length:	229.50" (5,829 mm)	242.50" (6,160 mm)
B. Cab-to-Axle Trunnion:	174" to 204" (4,449 to 5,181 mm)	182" to 214" (4,623 to 5,436 mm)
C. After-Frame Range:	59" (1,498 mm)	64" (1,626 mm)
D. Loader Height:	10.50" (267 mm)	10.50" (267 mm)
E. Front of Jib to Φ of Roller:	227" (5,766 mm)	240" (6,096 mm)
F. Dump Angle:	52° (0.91 rad)	52° (0.91 rad)
G. Maximum Tilt Height:	54" HH: 137.13" (3,483 mm) 62" HH: 141.38" (3,591 mm)	54" HH: 137.13" (3,483 mm) 62" HH: 141.38" (3,591 mm)
H. Jib Travel:	35" (889 mm)	48" (1,219 mm)
I. Front of Jib to Φ of Hook:	5.19" (132 mm)	5.19" (132 mm)
J. Hook Above/Below Frame:	54" HH: 3" (76 mm) Above Frame 62" HH: 3.56" (90 mm) Below Frame	54" HH: 3" (76 mm) Above Frame 62" HH: 3.56" (90 mm) Below Frame
K. Lowest Point in Dump:*	23.63" (600 mm)	23.63" (600 mm)
L. Φ to Back of Roller:	6" (152 mm)	6" (152 mm)

*Dimension is based on maximum advertised body lengths.



190 State Street | Garner, Iowa 50438 | | 800.321.3741

© Stellar. All rights reserved.

