



**ADRIAN STEEL®**

*Cargo Management Solutions for Commercial Vehicles*

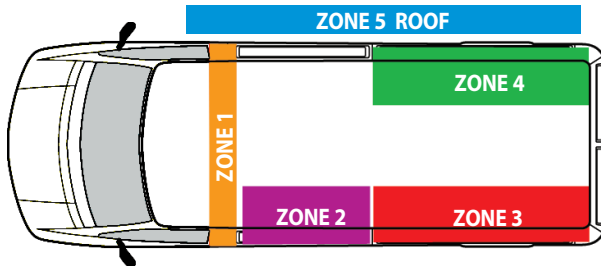


**SPRINTER & METRIS  
PRODUCT CATALOG**

**YOU HAVE COME TO THE RIGHT PLACE FOR ORGANIZING YOUR SPRINTER CARGO VAN.**

Adrian Steel has all the storage products you will need, and the tools to put them all together to best utilize the space in your Sprinter. This catalog is set up to walk you through the product categories as you would add them into your vehicle. Follow these simple steps to create an interior that fits your needs:

**MAKE YOUR VEHICLE WORK READY!**



**ZONE 1 PARTITION**

- Choose partition style: solid, perforated, or with a hinged door.
- Determine Sprinter roof height.
- Add accessories on both cab and cargo side.
- I need:

**ZONES 2, 3, 4 CURBSIDE & STREETSIDE**

- Use layout diagrams to determine the amount of space available.
- Choose from a variety of shelving units and modules that will best organize the tools and equipment you need to carry.
- I need:

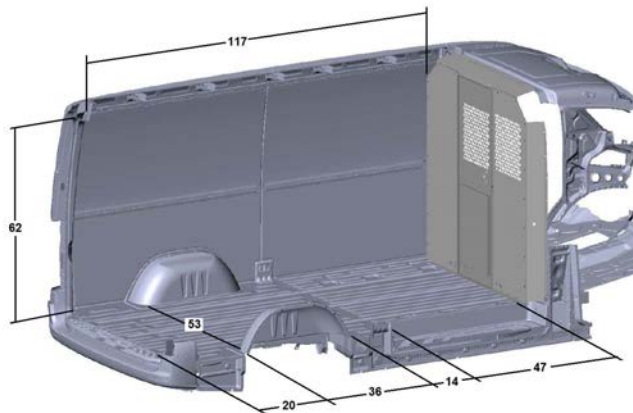
**ADDITIONAL STORAGE**

- Determine the space needed for specialty equipment: tank racks, lockers, reel holders, Floor Drawer floor drawers and more.
- Add accessories including door kits, drawers, hooks and more.
- I need:

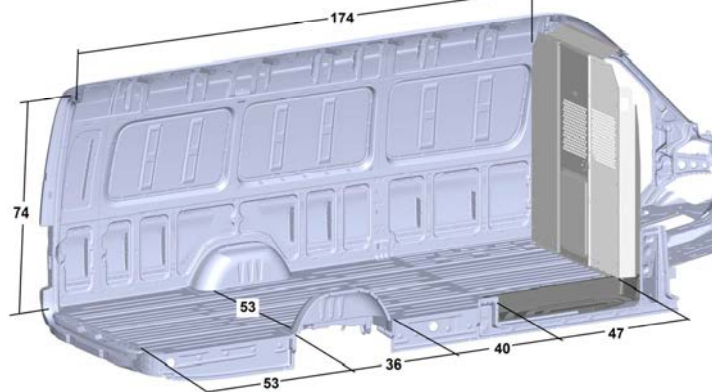
**ZONE 5 ROOF**

- Determine what will be carried: ladders, sheet goods, conduit, etc.
- Choose the LoadsRite for specifically carrying ladders or a Cargo Rack to carry a variety of cargo.
- Add rack accessories including step ladder kits, ratchet straps, conduit carriers and more.
- I need:

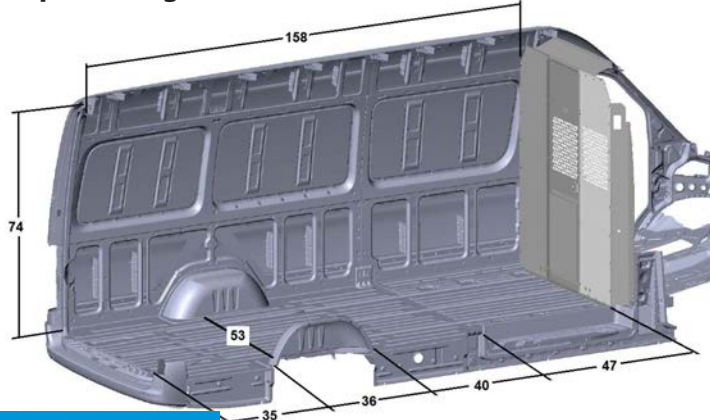
**Sprinter Low Roof 144" WB 2007-newer**



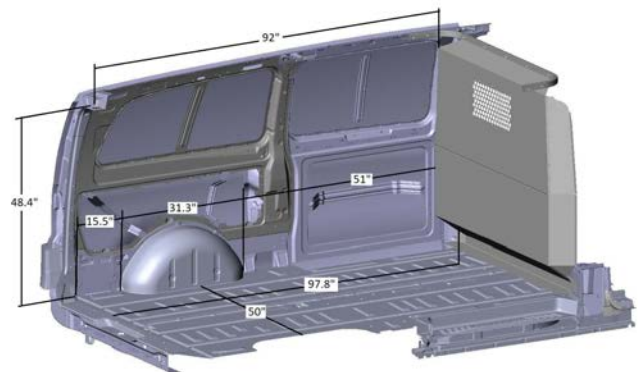
**Sprinter High Roof 170" Extended WB 2007-newer**



**Sprinter High Roof 170" WB 2007-newer**



**Metris 135" WB**



**FOR A MORE COMFORTABLE MOBILE OFFICE**

Your mobile office is now more comfortable with an Adrian Steel composite partition. Sound deadening reduces driver distractions. Climate control reduces vehicle idle time for warm up and cool down. Generous leg room for less stress behind the wheel. The integrated steel frame provides the same level of performance that you are accustomed to from Adrian Steel.



- Available with or without a clear poly rear-view window.
- Add hooks along the integrated AD rail.
- Features a mounting location by the door for a fire extinguisher (not included.)

**Sprinter Low Roof**

- PARSPL** - Composite Partition w/ Visibility
- PARSPL-NW** - Composite Partition
- UH50RM1** - Accessory Hooks

**Sprinter High Roof**

- PARSPH** Composite Partition w/ Visibility
- PARSPH-NW** Composite Partition
- UH50RM1** - Accessory Hooks

**Metris**

- PARSMM** Composite Partition w/ Visibility
- PARSMM-NW** Composite Partition
- UH50RM1** - Accessory Hooks

**Organize** – Partitions are great location to hang your cargo. Easily add safety items like fire extinguishers and first aid kits, or hooks to hang your extension cords or hoses. Additional accessory kits are available to customize your Adrian Steel composite partition even more.

**Sound Deadening**  
Reduce the harshness of the cargo noise entering the cab area. This reduces driver distractions and makes for a quieter environment to communicate when driving.

**Leg Room** – Full seat travel and a comfortable recline angle makes the composite partition our most comfortable line of partitions we sell.

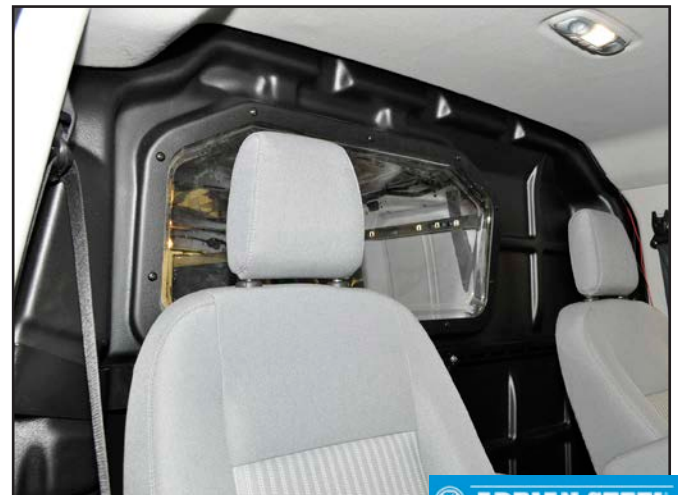
**Climate Control**  
Quickly cool down or heat up the cab area of the cargo van, reduce idle time doing so and save fuel!



**PARSPL-NW**



**PARSPL**





**METRIS PARTITION**



**HIGH ROOF PARTITION**

Steel partitions are sold as panel kits and wing kits. Please see application chart to confirm the appropriate panel kit and wing kit for your vehicle.

MODEL	DESCRIPTION
Metris	
P2MMS	With Visibility
LOW ROOF	FIXED CENTER PANEL
S1M1C1SPS	Solid panels
S1M2C2SPS	Center and Curb panels w/ visibility
LOW ROOF	HINGED CENTER PANEL "DOOR"
S1M1HC2SPS	Solid panels
S1M2HC2SPS	Center and Curb panels w/ visibility
HIGH ROOF	FIXED CENTER PANEL
S1M1C1SPH	Solid panels
S1M2C2SPH	Center and Curb panels w/ visibility
HIGH ROOF	HINGED CENTER PANEL "DOOR"
S1M1HC2SPH	Solid panels
S1M2HC2SPH	Center and Curb panels w/ visibility



**S1 - Solid**

Mounts behind driver seat.



**M1 - Solid**  
**M2 - Perforated**  
Mounts behind center panel. Also available as a hinged door.



**C1 - Solid**  
Mounts behind passenger seat.

**SLIDING DOOR PARTITION FOR SPRINTER HIGH ROOF**



PART NUMBER:	VEHICLE
SPARSPH2	Sprinter High Roof

**Boost Efficiency**

If you access your cargo area frequently during your workday, the sliding door partition can cut the number of trips you take in and out of your vehicle in half, saving you time and energy.

**Reduced Driver Fatigue**

By reducing the number of trips needed to get in and out of the vehicle by half, the driver will save energy by not having to climb in and out of the vehicle all of those extra times.

**Driver Protection**

Barrier that separates the cargo area from cab area and helps protect the occupants in the cab from shifting cargo when the vehicle is in operation.

**Theft Protection**

With an optional locking handle, you can sleep better at night knowing the tools, consumables and/or packages in the back of your vehicle are secure.

**Maximum Cargo Space**

Enjoy the ability to access your cargo area quickly without losing valuable cargo space. The sliding door operates on the cab-side of the vehicle giving you full use of the space in the back of your van.

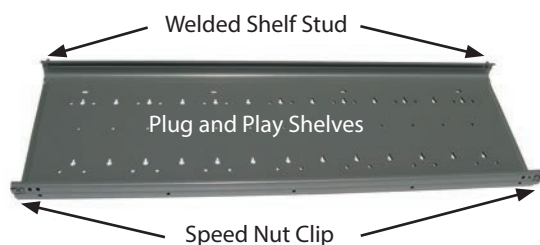


### ADJUSTABLE SERIES (AD)

Available for Mercedes Metris

Tools, equipment and cargo come in all shapes and sizes. Until now, there hasn't been a shelving unit that is truly adjustable. The ADseries can be adjusted with a screwdriver in a matter of minutes. Simply remove the front shelf bolts and move the shelf where you need it.

**All Shelves:** Lip up 100 lbs or Lip Down 200 lbs. capacity each when evenly distributed.



### TRULY ADJUSTABLE SHELVES

All you need is a Phillips head screwdriver! The unique shelf design features rear shelf studs that lock the shelves in place and speed nut clips that allow you to attach bolt on easily! Simply remove two bolts from the speed nut clips at the front lip of the shelf, tilt the shelf upwards to disengage the rear studs, move the shelf to your desired location, insert the rear shelf studs, reattach the bolts and you're done!



### ADD ACCESSORIES

Businesses change over time and your van interior should be able to change with your needs. Plug and Play shelves have prepunched holes that allow adding storage solutions easily! ADseries dividers simply snap in place, drawer units and door kits simply bolt into place. Many Adrian Steel accessories can be added to the ADseries shelving with the rail adapter kits and end panel brackets.

MODEL	DESCRIPTION	SIZE
AD32FP	3-Shelf Unit	32"W x 46"H x 14"D
AD44FP	4-Shelf Unit	44"W x 46"H x 14"D
AD50FP	4-Shelf Unit	50"W x 46"H x 14"D
RKMM	Mounting Rail Kit, Metris 126"	
RKMMLWB	Mounting Rail Kit, Metris 135"	
RKMM2SD	Mounting Rail Kit, Metris 126", Dual Sliding Doors	
RKA3	Rail Adapter Kit3 Use with: #1, #12, #2, #8, DC Units, 17A, TA19, TA5	
RKA4	Rail Adapter Kit4 Use with: CL1446R, #40, KD Shelving Units, #33W, JD Shelving	
BRK14EPS	End Panel Mounting Bracket Use with: 17A, CB5, 43, TA19, WRH5, UH10/50, PA9, PA8, ACT3/4, PA7, TH30, TH50, TA5	
RK144SPRU	Upper Mounting Rail Kit, Sprinter 144"	
RK170SPRU	Upper Mounting Rail Kit, Sprinter 170"	
RK170XSPRU	Upper Mounting Rail Kit, Sprinter 170" Extended	

MODEL	SIZE/DESCRIPTION
DV14C1	Shelf Divider
DV14C8	14" Shelf Dividers
DV12AD	Shelf Divider
DV14	Shelf Divider
DK26TC	Door Kit
DK32TC	Door Kit
DK3010	Door Kit
DK4208	Door Kit w/ Open Back
DK4210	Door Kit w/ Open Back
DK4810	Door Kit
RKA919	Drawer Riser Kit
35325-G	32" Shelf
35327-G	44" Shelf
35328-G	50" Shelf

Note: Rails are not included with the shelf units. Rail kits must be ordered separately.  
Note: Shelves have the following weight ratings:

- Shelves positioned with the shelf lip facing up have a rating of 100 lbs. per shelf evenly distributed.
- Shelves positioned with the shelf lip facing down have a rating of 200 lbs. per shelf evenly distributed.



**16" DEEP SHELVING**

Available for Sprinter Low/High Roof

We took our Heavy-Duty Series of shelving to the next level with our 16" Deep Shelving. Enjoy more storage capacity without sacrificing aisle space with the increased shelf depth and contoured end panel design. You can safely contain wire and cable boxes, commercial storage cases, job-site consumables, and more.

**13" Top Shelf:** 75 lbs.

**Mid/Bottom Shelves:** 125 lbs. when evenly distributed.

**SOLID END PANELS**

Sprinter High Roof	
HD-1632HR	32"W x 63"H x 16"D
HD-1640HR	40"W x 63"H x 16"D
HD-1644HR	44"W x 63"H x 16"D
HD-1650HR	50"W x 63"H x 16"D
HD-1660HR	60"W x 63"H x 16"D

Only upper rail kit needed for installation.

**CONDUIT CUTOUT END PANELS**

Sprinter High Roof	
HD-1632HRC	32"W x 63"H x 16"D
HD-1640HRC	40"W x 63"H x 16"D
HD-1644HRC	44"W x 63"H x 16"D
HD-1650HRC	50"W x 63"H x 16"D
HD-1660HRC	60"W x 63"H x 16"D

Only upper rail kit needed for installation.



**Accessories**

PT32	32" Wheel-well Pipe Tray	32"W x 4"H x 8"D	75 lb. capacity
PT40	40" Wheel-well Pipe Tray	40"W x 4"H x 8"D	75 lb. capacity
PT44	44" Wheel-well Pipe Tray	44"W x 4"H x 8"D	75 lb. capacity
PT50	50" Wheel-well Pipe Tray	50"W x 4"H x 8"D	75 lb. capacity
PT60	60" Wheel-well Pipe Tray	60"W x 4"H x 8"D	75 lb. capacity
SF20832XCK	32" Wheel-well Shelf, 8" Deep	32"W x 2"H x 8"D	75 lb. capacity
SF20840XCK	40" Wheel-well Shelf, 8" Deep	40"W x 2"H x 8"D	75 lb. capacity
SF20844XCK	44" Wheel-well Shelf, 8" Deep	44"W x 2"H x 8"D	75 lb. capacity
SF20850XCK	50" Wheel-well Shelf, 8" Deep	50"W x 2"H x 8"D	75 lb. capacity
SF20860XCK	60" Wheel-well Shelf, 8" Deep	60"W x 2"H x 8"D	75 lb. capacity
80-FSV	10' Under-shelf Conduit Tray	63.25"W X 5.8"H X 6.3"D	



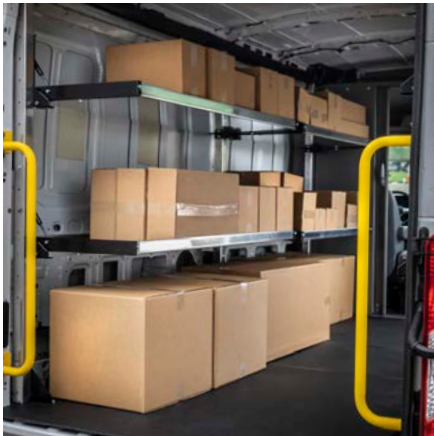
**HEAVY DUTY SERIES (HD)**

The HD shelving units feature adjustable shelves with bolts in the front and the rear of the shelving unit. They have two 4" lip shelves that are ideal for keeping your cargo contained and off the floor. The top of the unit has a 2" shelf lip that is perfect for containing smaller, lighter items.

**1" Lip Top Shelf:** 75 lbs. capacity

**4" Lip Shelves:** 220 lbs. capacity each when evenly distributed.

MODEL	OVERALL SIZE
HD-32SWP	32"W X 56"H X 14"D
HD-42SWP	42"W X 56"H X 14"D
HD-52SWP	52"W X 56"H X 14"D



**FOLDING SHELVING**

Available for Sprinter High Roof

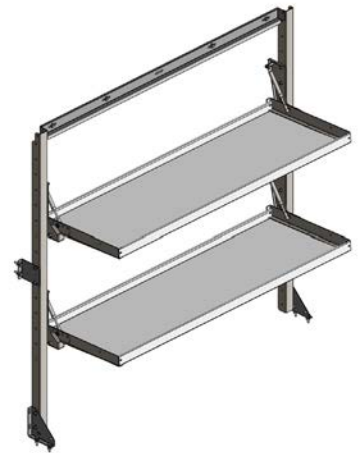
If you need carry a variety of cargo or what you carry changes frequently, the folding shelf system will accommodate whatever your day might have in store for you. These systems are lightweight and durable giving you maximum payload capability without sacrificing quality.

**All Shelves:** 250 lbs. evenly distributed.



**COMPONENTS**

Mounting	
FSFMKSPR	Mounting Feet, High Roof
FSFMKSPRA	Mounting Foot Add-On, High Roof
Uprights	
FSFPKMH	Upright Kit, 2-Pack
FSFPKMHA	Upright Kit Add-On
Shelves	
FSFK2036	Shelf Kit, 36"W x 20"D
FSFK2048	Shelf Kit, 48"W x 20"D
FSFK2060	Shelf Kit, 60"W x 20"D
FSFK2072	Shelf Kit, 72"W x 20"D



**JUMBO DEEP SERIES (JD)**

Available for Sprinter Low/High Roof

The JD Series is our deepest shelf unit available. They have reinforced shelf bottoms for added strength and 4" high shelf fronts to contain your items.

**1" Lip Top Shelf** (when applicable): 75 lbs. capacity.

**4" Lip Shelves:** 290 lbs. capacity each when evenly distributed.

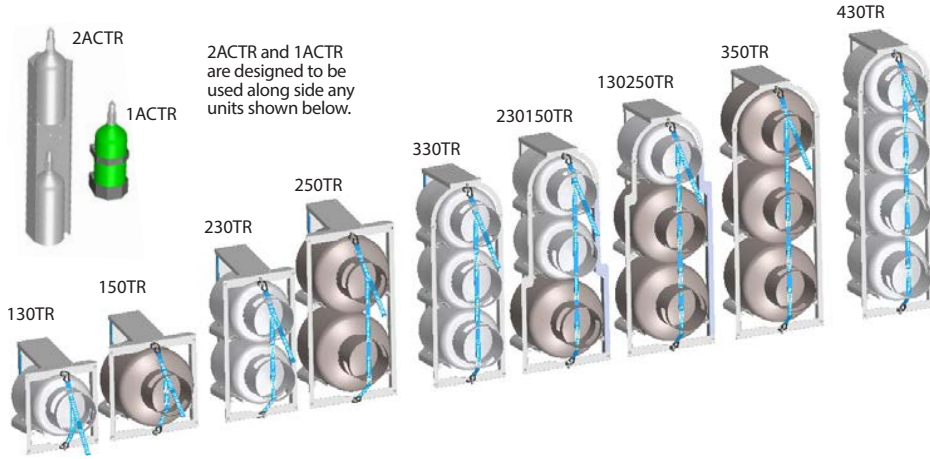
MODEL	OVERALL SIZE
JD42WP	42"W x 60"H x 18"D
JD48WP	48"W x 60"H x 24"D
JD52WP	52"W x 60"H x 18"D
JD60WP	60"W x 60"H x 24"D

**Vehicle fit** Modules will fit both Sprinter standard and high roof models. A minimum of 42" is needed to fit over all wheel-wells. 18" W and 36" W modules designed to fit either side of wheel-wells.

**How to order** Please state Sprinter model, year and wheel base when ordering.

### OUR MOST FLEXIBLE AND ERGONOMIC TANK RACK SYSTEM, EVER.

The all-new Adrian Steel EZLoad™ Tank Racks are a revolution in design, ergonomics, and real-life use. The modular, patent pending design allows you to build a perfect configuration of 30-50 lb. tanks and/or acetylene tank options based on what you need carry. You can stack, mix and match or add top trays to find the best configuration for your business.



2ACTR and 1ACTR are designed to be used along side any units shown below.

MODEL	HOLDS
130TR	(1) 30 lb. Tank
230TR	(2) 30 lb. Tank
330TR	(3) 30 lb. Tank
430TR	(4) 30 lb. Tank
150TR	(1) 50 lb. Tank
250TR	(2) 50 lb. Tank
350TR	(3) 50 lb. Tank
130150TR	(1) 30 lb. (1) 50 lb. Tank
130250TR	(1) 30 lb. (2) 50 lb. Tank
230150TR	(2) 30 lb. (1) 50 lb. Tank
1ACTR	(1) Acetylene Tank Holder
2ACTR	(2) Acetylene Tank Holder
TRSHELF30	Shelf for 30 lb. Tank Rack, 1" Lip
TR4SHELF30	Shelf for 30 lb. Tank Rack, 4" Lip
DVTR4SHELF	4" Shelf Divider for TR4SHELF30
TRSHLFBRKT	Shelf Bracket, Required to install shelves on tank racks
BAGSTEPSRD	Stacking Fastener Bag *MUST HAVE IF STACKING UNITS

\*Please confirm the location of the tank rack and tray, some interior locations will not accommodate the tray due to the contour of the vehicle.

### SAFEST ERGONOMIC ANGLE

This system is designed to be installed at the rear or side doors at a 45° angle providing you the most ergonomic access to your tanks. This helps prevent back and shoulder injuries when loading/unloading full or empty tanks.



**45° MOUNTING ANGLE**

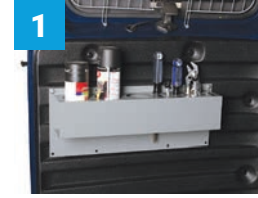




**CARGO ACCESSORIES**

These products are designed to create an organized solution for Aerosol Cans, Caulk Tubes, Gas Cylinders and other miscellaneous cargo.

Item	Model	Description	Width	Depth	Height
1	DST21	Door Storage Tray	20"	4"	8"
2	DT21	Door Tray, No Lid	20"	4"	4"
3	DTL21	Door Tray Lid for DT21 only	18"	4"	.5"
4	DTWL21	Door Tray w/ Latching Lid	20"	4"	4"
5	66246	Open Storage Box Tray, 24"	24"	5"	4.75"
6	66206	Open Storage Box Tray, 14"	14"	5"	4.75"
7	ACT3	3-Place Aerosol Can Holder	12"	4"	7"
8	ACT4	4-Place Aerosol Can Holder	15.5"	4"	7"
9	66761	Gas Cylinder/Spray Bottle Holder, Small	14"	5"	10"
10	66764	Gas Cylinder/Spray Bottle Holder, Large	24"	5"	10"
11	CHS5	5-Slot Caulk Tube Holder, 10 oz.	14"	3.5"	8.5"
12	CHS8	8-Slot Caulk Tube Holder, 10 oz.	23"	3.5"	8.5"
13	CHL4	4-Slot Caulk Tube Holder, 29 oz.	14"	5"	9.5"
14	CHL7	7-Slot Caulk Tube Holder, 29 oz.	23"	5"	9.5"
15	14	Step Stool	20"	13"	12"
16	UH10	Utility Hook, 1"	-	-	-
17	UH25	Utility Hook, 2.5"	-	-	-
18	UH50	Utility Hook, 5"	-	-	-
19	TA1WAD	4-Hook Bar	12"	2"	4.5"
20	TA2	Hard Hat Holder	10.5"	2.5"	9"
21	66881	Instant Folding Work Table	24"	18"	-
22	VMA24F	Professionals Folding Vise, No Vise	-	24"	-
23	VMA24F-WV	Professionals Folding Vise, With Snap-On® Vise	-	24"	-
24	66241	Battery Charging Station	-	-	-
25	WRH5	Wire Reel Holder	12"	4"	25"
26	GHSPR	Rear Door Grab Handles	-	-	-
27	STEPSPRRD	Rear Door Safety Step	-	-	-
28	STEPSPRSD	Side Door Safety Step	-	-	-





**UP TO 50% LIGHTER OPERATION**

The ProLift™ is up to 50% easier to operate than comparable drop-down style ladder racks. This makes it the easiest and safest drop-down ladder rack system on the market. Using unique patent pending mechanical advantages and high-performance spring assist struts, ProLift™ raises and lowers ladders with an almost effortless pull, saving you time and energy while reducing back and shoulder injuries.

Built on Adrian Steel's new flagship Profile™ rack system, the ProLift™ is low profile, lightweight and built to last.

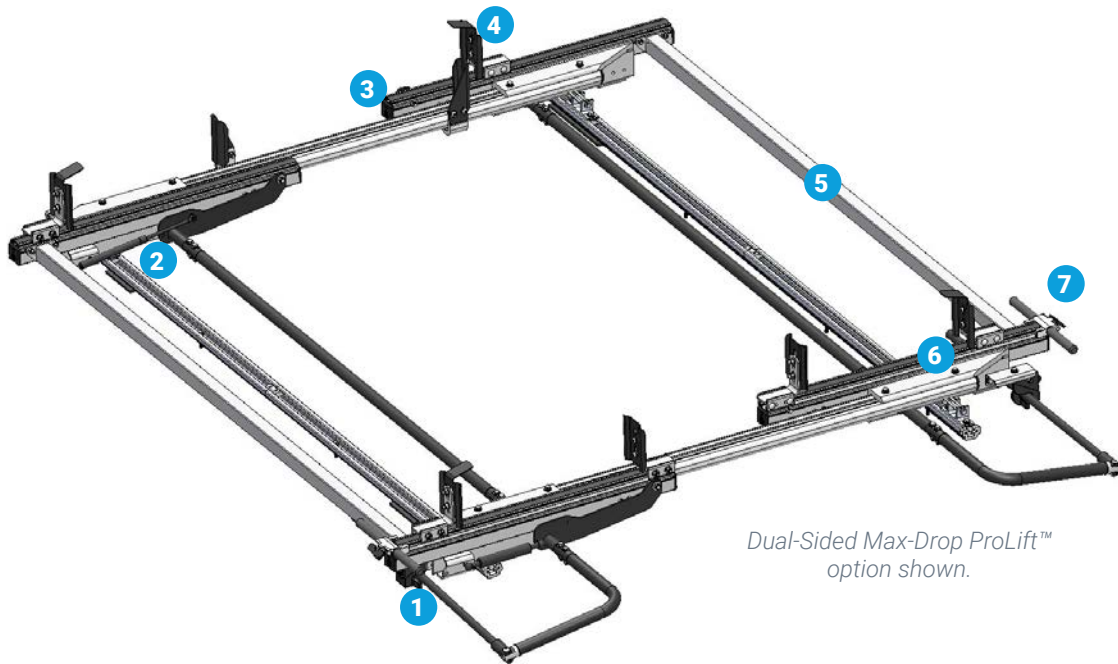


**Max-Drop ProLift™** has a single function that lowers the ladder to a single set height and a secondary function that lowers the rear of the ladder even further to a safer more ergonomic height. Most similar to our previous DDLR drop down series.

*Available for Sprinter Low & High Roof Vans.*

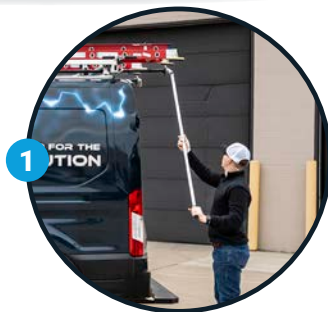
**Full Rack Component List**

		Max-Drop Ladder Rack Kits	Crossbars Component	Rail Kits Component	Mounting Kits Component	Passenger Side Kit Component	Driver Side Kit Component
Passenger Side	Low Roof 144"	PLM61SP	2BARCW	RRKSP	URMBK4W	PLMDPSMW	-
	Low Roof w/ OEM Rail, 144"	PLM61SPO	2BARCW	-	SPRMBK4W	PLMDPSMW	-
	High Roof 144", 170" & 170"X	PLM61SPH	2BARW	RRKSP	URMBK4W	PLMDPSHW	-
	High Roof w/ OEM Rail 144", 170" & 170"X	PLM61SPHO	2BARW	-	SPRMBK4W	PLMDPSHW	-
Dual Side	Low Roof 144"	PLM63SP	2BARCW	RRKSP	URMBK4W	PLMDPSMW	PLMDDSMW
	Low Roof w/ OEM Rail, 144"	PLM63SPO	2BARCW	-	SPRMBK4W	PLMDPSMW	PLMDDSMW
	High Roof 144", 170" & 170"X	PLM63SPH	2BARW	RRKSP	URMBK4W	PLMDPSHW	PLMDDSHW
	High Roof w/ OEM Rail 144", 170" & 170"X	PLM63SPHO	2BARW	-	SPRMBK4W	PLMDPSHW	PLMDDSHW



Dual-Sided Max-Drop ProLift™ option shown.

- 1 DETACHED HANDLE**  
Long tube handle for safe operation with two feet on the ground. Pad-Lock capable to prevent theft.
- 2 PULL ASSIST GAS SPRINGS**  
Dampens the load during operation to prevent damage to the vehicle while also reducing operating force.
- 3 RUGGED WEAR STRIPS**  
Protects and helps increase the life of your ladders.
- 4 ADJUSTABLE CLAMP PADS**  
Get a snug fit on any ladder with just a half inch wrench or ratchet/socket.
- 5 LADDER GUIDE / VAN GUARD**  
Help guide the ladder into the front bracket while also preventing damage to the van from the ladder.
- 6 SECONDARY SLIDE (MAX-DROP)**  
The secondary slide lowers the ladder to a lower more ergonomic reach height to prevent back and shoulder injuries during operation.
- 7 EASY RELEASE T-HANDLE (MAX-DROP)**  
Press and release with thumb to active the secondary slide.



Adrian Steel PROFILE™  
**HD Utility Rack.**

**The perfect rack for your business.**

Select a pre-configured rack developed for common industry needs or take charge and build your own with our configuration tool.

This new system is low profile, aerodynamic, lightweight & tough. The clean, simplistic and corrosion resistant construction with stainless steel hardware and durable powder-coat finish is built to withstand heavy use and ensure years of dependability.

Mix and match components and accessories give you the flexibility to get the perfect rack for your business in less time and with less hassle.

Designed to adapt to almost any vehicle (truck, trailer and topper mounting coming soon) and the unique modular design can be easily upgraded for specific utility use.

**1. Minimalistic Design.**

Sleek, low-profile for great looking integration on any vehicle and was specifically designed and tested to prevent wind noise.



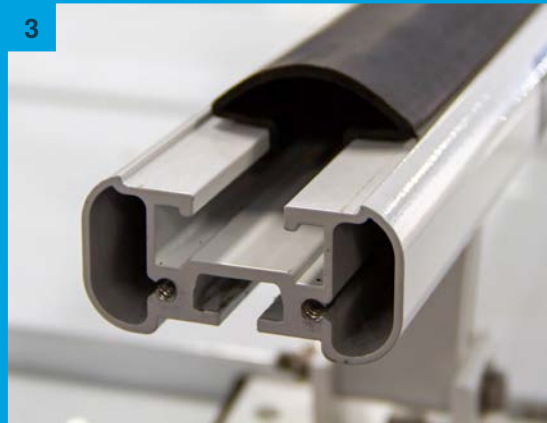
**2. Safe, Secure Loading.**

Multiple integrated tie-down points come standard for quick and safe transportation.



**3. Rugged Wear Strip.**

Why let loading and unloading take a toll on your gear and rack systems? Our new, extra-thick Wear Strip comes standard to protect equipment and T-slot crossbars, while keeping debris out of the channels.



**4. Industry-Leading Customization.**

Profile™ Crossbars have built-in channels for adding Ladder Stops, Rear Roller Assist, Built-In Ratchets, Conduit Kits and additional accessories.



**5. 750lb. Load Capacity.**

3" x 1.5" Heavy Duty, reinforced extruded aluminum crossbars are tested to support up to 250LBS per crossbar for maximum roof loading capacity.

(Always follow OEM roof rating weight standards for safest loading capacity)





MADE IN USA



**Spec & Tech:**

PROUDLY MADE IN THE U.S.A.

Rust-free construction with aluminum and galvanized steel components and stainless-steel hardware.

Simple no-drill installation secured to factory mounting points or drip rails

500LB - 750LB (2 or 3 crossbars) weight capacity. Always follow OEM recommended roof rating standards.

Long lasting DURA™ Powder-Coat Finish in TRU white.

30 minute installation time. (Varies by configuration)

**One Rack, Endless Configurations.**  
Build the perfect rack for your business.

Rear Roller Assist  
FULL-SIZE VANS ONLY

Single Crossbar Add-On

68" Crossbars FULL-SIZE VANS  
58" Crossbars COMPACT VANS

Ladder Stop

4" Upright

6" Upright

9" Upright

9" Ratchet Upright

**More Profile™ Functions Coming Soon!**

- Drop Down with EZ-up Technology
- Perimeter Side Rails
- GripLoc®

6" End Caps for PVC Kit  
70-2NGLR

4" End Caps for PVC Kit  
70-1NGLR

12"6" Aluminum Conduit Kit  
80-2NGLR

10"6" Aluminum Conduit Kit  
80-1NGLR



Scan to  
build your  
own rack.

## The perfect rack for your business.

Select a pre-configured rack developed for common industry needs or take charge and build your own with our configuration tool.

### 2-BAR OPTIONS

How to Order: "2-Bar Part Number" + "4-Pack Mounting Kit"



2-Bar w/ 4" Uprights

Full-Size Van #      Compact Van #

**2B4W**

**2B4CW**



2-Bar w/ 6" Uprights

Full-Size Van #      Compact Van #

**2B6W**

**2B6CW**



2-Bar w/ 9" Ratchet Uprights

Full-Size Van #      Compact Van #

**2B9RW**

**2B9RCW**

### 3-BAR OPTIONS

How to Order: "3-Bar Part Number" + "4-Pack Mounting Kit" + "2-Pack Mounting Kit"



3-Bar w/ 4" Uprights

Full-Size Van #      Compact Van #

**3B4W**

**N/A**



3-Bar w/ 6" Uprights

Full-Size Van #      Compact Van #

**3B6W**

**N/A**



3-Bar w/ 9" & 9" Ratchet Uprights<sup>(4)</sup>

Full-Size Van #      Compact Van #

**3B9RW**

**N/A**



3-Bar w/ 6" Uprights & Rear Roller

Full-Size Van #      Platform:

**3B6RRSPRW\***

**Sprinter**

\*Does not work with Sprinter High Roof 170" Extended

②

③

### MOUNTING BRACKETS

4-Pack

2-Pack

Vehicle Platform:


Mercedes	<b>SPMBK4W</b>	<b>SPMBK2W</b>	Sprinter Low/High Roof
	<b>SPRMBK4W</b>	<b>SPRMBK2W</b>	Sprinter Low/High Roof w/ OEM Rail
	<b>MMMBK4W</b>	<b>MMMBK2W</b>	Metris

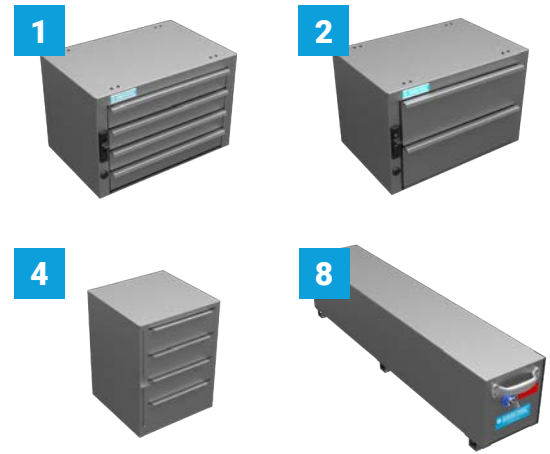


Or scan to build a 100% custom rack.

What to order:	①	②	③
2-Bar Rack:	2-Bar Rack part number	+	4-Pack part number
3-Bar Rack:	3-Bar Rack part number	+	4-Pack part number + 2-Pack part number

**DRAWER UNITS & FLOOR DRAWERS**

Item	Model	Description	Width	Depth	Height
1	9	4-Drawer Unit w/ Locking Latch	18"	12"	12"
2	19	2-Drawer Unit w/ Locking Latch	18"	12"	12"
3	919	3-Drawer Unit w/ Locking Latch	18"	12"	12"
4	2	4-Drawer Unit w/ Latch	18"	18"	24"
5	8	3-Drawer Unit w/ Latch	18"	12"	18"
6	DC6	3-Drawer Unit	6"	12"	12"
7	DC12	3-Drawer Unit	12"	12"	12"
8	SA-10	Single Compartment Floor Drawer, Tall	10"	51.5"	12"
9	SA-20	Single Compartment Floor Drawer, Tall	20"	51.5"	12"
10	SA-40	Triple Compartment Floor Drawer, Tall	40"	51.5"	12"
11	SAJ-10	Single Compartment Floor Drawer, Short	10"	51.5"	8.5"
12	SAJ-20	Single Compartment Floor Drawer, Short	20"	51.5"	8.5"
13	SAJ-30	Double Compartment Floor Drawer, Short	30"	51.5"	8.5"
14	SAJ-40	Triple Compartment Floor Drawer, Short	40"	51.5"	8.5"



**CABINETS & LOCKERS**

Item	Model	Description	Width	Depth	Height
1	1	Adjustable Single Shelf Cabinet w/ Lock	18"	18"	22"
2	1A	Shelf for #1 Cabinet	17"	17"	-
3	12	Adjustable Single Shelf Cabinet w/ Lock	18"	12"	22"
4	12A	Shelf for #12 Cabinet	17"	11"	-
5	CL1446R	Adjustable 3-Shelf Cabinet w/ Lock, Full Door	18"	14"	46"
6	TA19	CO2 Gas Tank Cabinet (vented)	13"	12.5"	32"
7	40	Wheel-Well Bin w/Lock	42"	12.5"	14"



**PORTABLE ACCESSORIES**

Item	Model	Description	Width	Depth	Height
1	PPCS	Portable Parts Case, Small	14"	14"	4"
2	PPCL	Portable Parts Case, Large	14"	14"	7"
3	CH-EP	3-Case Holder w/ Cases	15.5"	14"	37.5"
4	CHPPC5SM	5-Case Holder w/ Cases	17"	14"	35"
5	CH1514SGL	1-Case Holder w/ Case	15"	14"	5"
6	CH-1514DBL	2-Case Holder w/ Cases	15"	14"	12"
7	CHPPC4S	4-Case Holder w/ Cases	14"	14"	19"
8	SBIN060614	Portable Bin, 6"	6"	13"	6.5"
9	SBIN120614	Portable Bin, 12"	12"	13"	6.5"
10	SBINDIV	Bin Divider	-	12"	5"
11	BC0020NB	4-Bin Cabinet w/ Bins	14"	18.5"	32"
12	BC6	6-Bin Cabinet w/ Bins	14.5"	18"	43.5"
13	BC6ADJ	6-Bin Cabinet w/ Latch & Bins	14.5"	19"	44"



**Sprinter High Roof 144" 170" & 170" Extended**

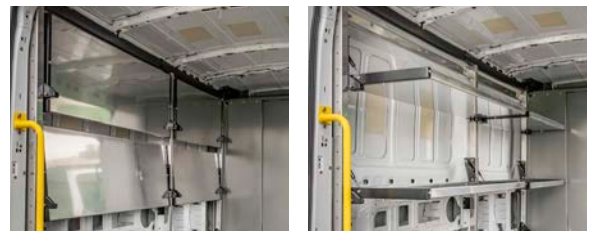


**A SAFER, MORE EFFICIENT LAST MILE LIFESTYLE**



**Sliding Partition**

- Easy open door with quick access to cargo area.
- Reduces climbing in and out of the van by half.
- Barrier that helps protect the occupants from shifting cargo.



**Folding Shelves**

- Flexible storage for a variety of package sizes.
- Strong lightweight aluminum shelves to maximize payload.
- Gas struts quiet the shelving while reducing strain of moving shelves up or down.
- 20" deep with 2" lip and available in 36", 48", 60" and 72" lengths.



**Steps (Rear & Side Doors)**

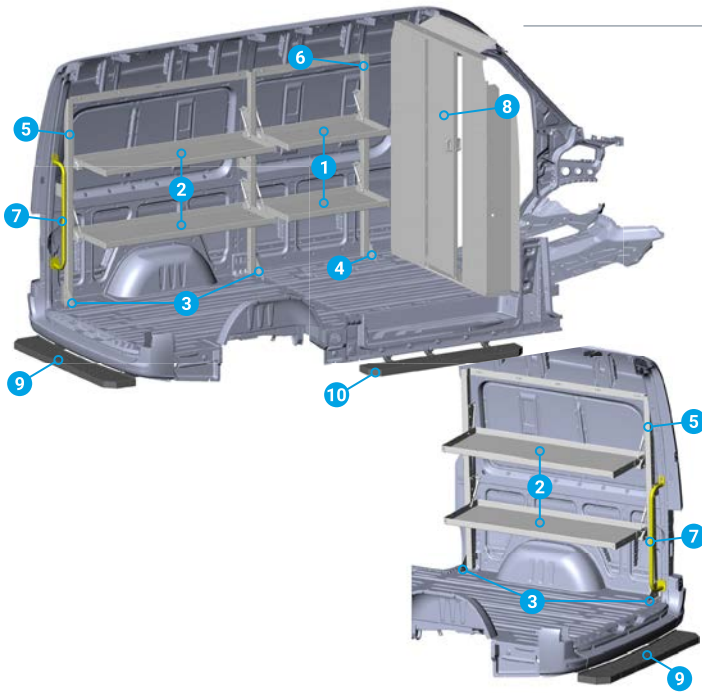
- Slip resistant platform for sure footing.
- Grated platform allows dirt and water to drain through preventing build-up.
- Safely enter/exit van with steps that reduces height to climb in out of the van.



**Grab Handles (Rear & Side Doors)**

- Helps maintain balance when entering/exiting the vehicle.
- Reduces fatigue of climbing in and out of the vehicle.
- Point of contact in case of slip, trip or fall.





## Sprinter High Roof 144"

Part Number: 6720SP144

Item:	Description:	Part Number:	Qty:
1	Folding Shlef Kit, 20" x 36"	FSFK2036	1
2	Folding Shlef Kit, 20" x 60"	FSFK2060	2
3	Shelf Mounting Kit	FSFMKSPR	2
4	Shelf Mounting Kit, Add-On	FSFMKSPRA *	1
5	Upright Mounting Kit	FSFPMKH	2
6	Upright Mounting Kit, Add-On	FSFPMKHA	1
7	Grab Handle	GHSPR	2
8	Sliding Partition	SPARSPH2	1
9	Rear Door Step	STEPSPRRD	1
10	Side Door Step	STEPSPRSD	1

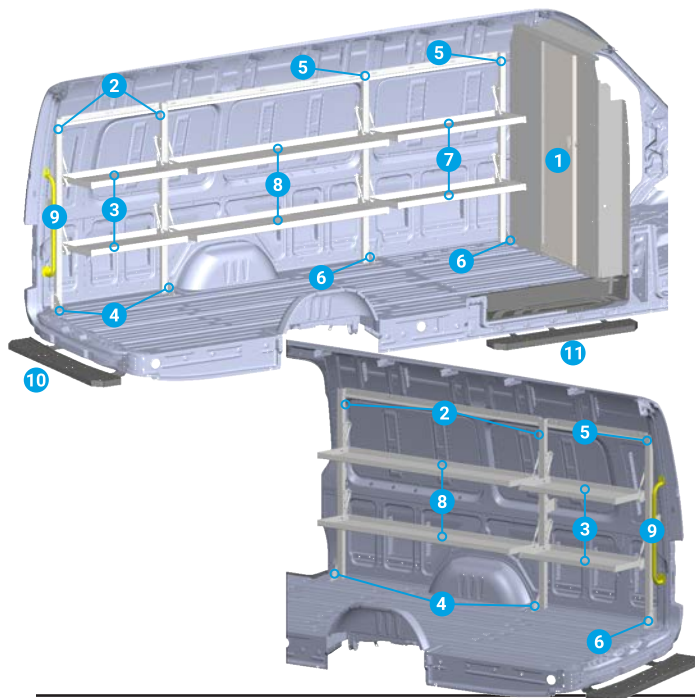
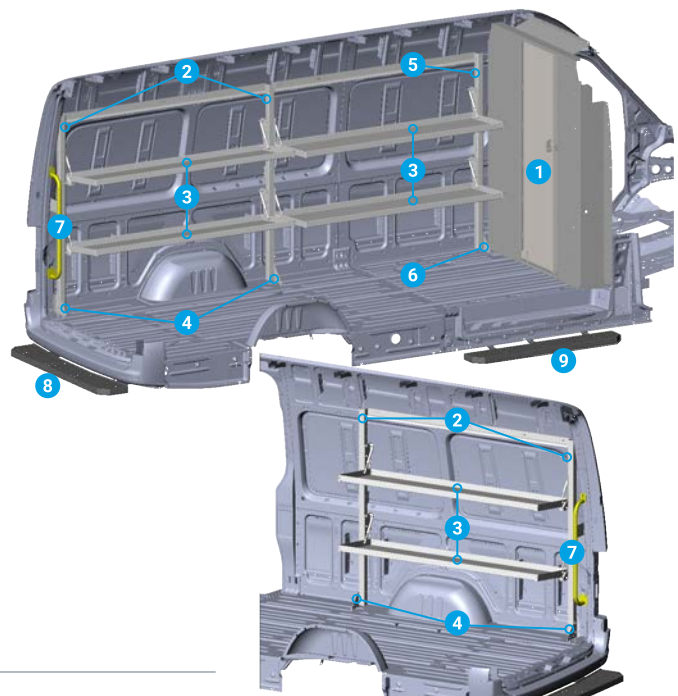
\* Part number comes as a 2 pack.

## Sprinter High Roof 170"

Part Number: 6720SP170

Item:	Description:	Part Number:	Qty:
1	Sliding Partition	SPARSPH2	1
2	Post Mounting Kit	FSFPMKH *	2
3	Folding Shelf Kit, 20" x 72"	FSFK2072 *	3
4	Shelf Mounting Kit	FSFMKSPR *	2
5	Post Mounting Kit Add-On	FSFPMKHA	1
6	Shelf Mounting Kit Add-On	FSFMKSPRA	1
7	Grab Handle	GHSPR	2
8	Rear Door Step	STEPSPRRD	1
9	Side Door Step	STEPSPRSD	1

\* Part number comes as a 2 pack.



## Sprinter High Roof 170" Extended

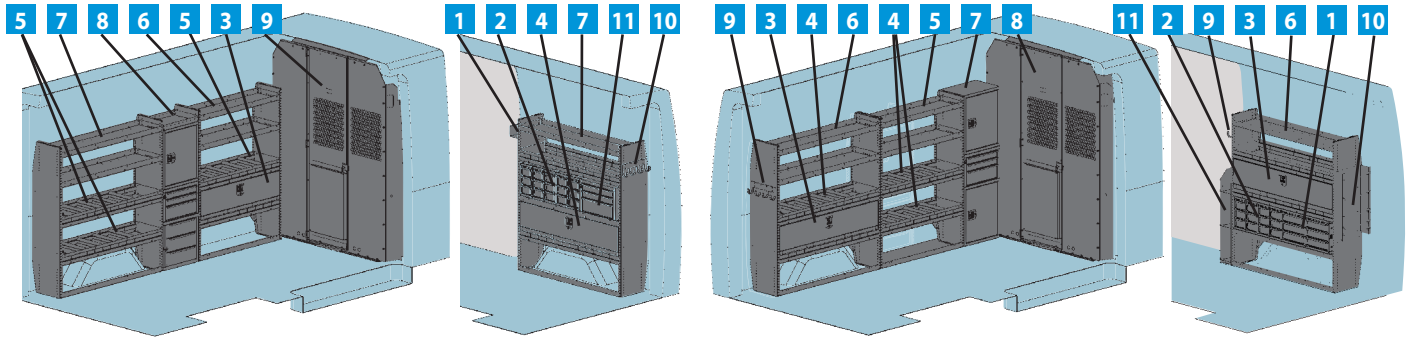
Part Number: 6720SP170X

Item:	Description:	Part Number:	Qty:
1	Sliding Partition	SPARSPH2	1
2	Post Mounting Kit	FSFPMKH *	2
3	Folding Shelf Kit, 20" x 36"	FSFK2036 *	2
4	Shelf Mounting Kit	FSFMKSPR *	2
5	Post Mounting Kit Add-On	FSFPMKHA	3
6	Shelf Mounting Kit Add-On	FSFMKSPRA	3
7	Folding Shelf Kit, 20" x 48"	FSFK2048 *	1
8	Folding Shelf Kit, 20" x 72"	FSFK2072 *	2
9	Grab Handle	GHSPR	2
10	Rear Step	STEPSPRRD	1
11	Side Step	STEPSPRSD	1

\* Part number comes as a 2 pack.

### DON'T LET ALL THAT SPACE INSIDE YOUR SPRINTER CARGO VAN INTIMIDATE YOU. ORGANIZE IT WITH ADRIAN STEEL!

If you just don't know where to start, turn to Adrian for ideas on how to best maximize that precious space inside your Sprinter Van. Trade packages are designed for several different vocations with trade specific equipment like tank racks and small parts storage. If you don't see exactly what you are looking for, that's ok! Trade packages are thought starters, designed to give you ideas to run with as you combine the Adrian shelving, cabinets, drawers and modules to fit your specific needs.

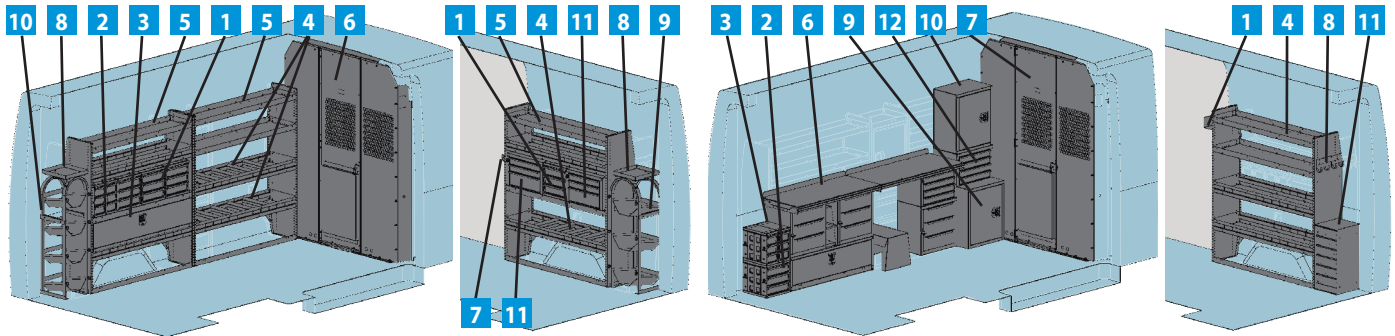


#### 144" SPRINTER GENERAL SERVICE STARTER PACKAGE 4013H High Roof Package

Item	Model	Description	Qty.
1	ACT3	3-Place Aerosol Can Holder	1
2	DC6	3-Drawer Unit	5
3	DK542	Door Kit w/ Back Panel	1
4	DK552	Door Kit w/ Back Panel	1
5	DV14	Shelf Divider	12
6	HD-42SWP	4-Shelf Unit	1
7	HD-52SWP	4-Shelf Unit	2
8	MD603	Cabinet & Drawer Module	1
9	S1M2HC2SPH	Partition/07/Sprinter	1
10	TA1	4-Hook Bar	1
11	919	3-Drawer Unit w/ Lock	1

#### 144" SPRINTER ELECTRICAL STARTER PACKAGE 4014H High Roof Package

Item	Model	Description	Qty.
1	DC12	3-Drawer Unit	2
2	DC6	3-Drawer Unit	4
3	DK552	Door Kit w/ Back Panel	2
4	DV14	Shelf Divider	12
5	HD-42SWP	4-Shelf Unit	1
6	HD-52SWP	4-Shelf Unit	2
7	MD601	Cabinet & Drawer Module	1
8	S1M2HC2SPH	Partition/07/Sprinter	1
9	TA1	4-Hook Bar	2
10	WRH5	5-Bar Spool Holder	1
11	43	3-Shelf Literature Rack	1



#### 144" SPRINTER HVAC STARTER PACKAGE 4015H High Roof Package

Item	Model	Description	Qty.
1	DC12	3-Drawer Unit	4
2	DC6	3-Drawer Unit	2
3	DK552	Door Kit w/ Back Panel	1
4	DV14	Shelf Divider	12
5	HD-52SWP	4-Shelf Unit	3
6	S1M2HC2SPH	Partition/07/Sprinter	1
7	TA1	4-Hook Bar	1
8	WTRTRAY	Welded Tank Rack Shelf Kit	2
9	350TR	Welded Tank Rack	1
10	430TR	Welded Tank Rack	1
11	919	3-Drawer Unit w/ Lock	2

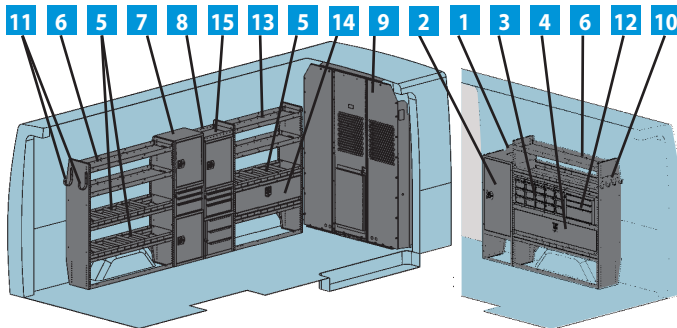
#### 144" SPRINTER LOCKSMITH STARTER PACKAGE 4016H High Roof Package

Item	Model	Description	Qty.
1	ACT3	3-Place Aerosol Can Holder	1
2	DC12	3-Drawer Unit	1
3	DC6	3-Drawer Unit	2
4	HD-52SWP	4-Shelf Unit	1
5	KMB36	Key Machine Base	1
6	MD610	Workbench Module	1
7	S1M2HC2SPH	Partition/07/Sprinter	1
8	TA1	4-Hook Bar	1
9	1	Adjustable Single Shelf Cabinet w/Lock	1
10	12	Adjustable Single Shelf Cabinet w/Lock	1
11	17A	6-Shelf Catalog File	1
12	9	4-Drawer Unit w/ Lock	1
13	12A	Cabinet End Panel	1

Note: Illustrations and descriptions are for 2007 and newer Sprinter vehicles. Call Adrian Steel for package information for 2006 and older Sprinter vehicles.

## DON'T LET ALL THAT SPACE INSIDE YOUR SPRINTER INTIMIDATE YOU. ORGANIZE IT WITH ADRIAN STEEL!

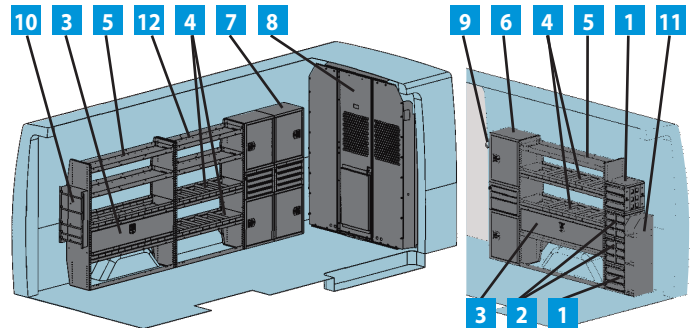
If you just don't know where to start, turn to Adrian for ideas on how to best maximize that precious space inside your Sprinter Van. Trade packages are designed for several different vocations with trade specific equipment like tank racks and small parts storage. If you don't see exactly what you are looking for, that's ok! Trade packages are thought starters, designed to give you ideas to run with as you combine the Adrian shelving, cabinets, drawers and modules to fit your specific needs.



### 170" SPRINTER GENERAL SERVICE STARTER PACKAGE

#### 4001H High Roof Package

Item	Model	Description	Qty.
1	ACT3	3-Place Aerosol Can Holder	1
2	CL1446D	Adjustable 3-Shelf Cabinet w/ Lock	1
3	DC6	3-Drawer Unit	5
4	DK552	Door Kit w/ Back Panel	1
5	DV14	Shelf Divider	12
6	HD-52SWP	4-Shelf Unit	2
7	MD601	Cabinet & Drawer Module	1
8	MD603	Cabinet & Drawer Module	1
9	S1M2HC2SPH	Partition/07/Sprinter	1
10	TA1	4-Hook Bar	1
11	UH50	Utility Hook	2
12	919	3-Drawer Unit w/ Lock	1
13	HD-42SWP	4-Shelf Unit	1
14	DK542	Door Kit w/ Back Panel	1
15	4B	Parts Tray	1

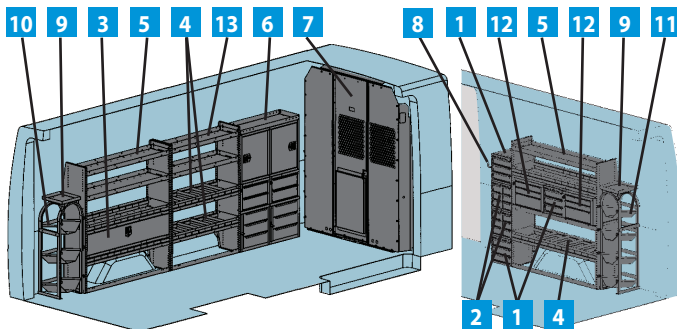


### 170" SPRINTER ELECTRICAL STARTER PACKAGE

#### 4002H High Roof Package

Item	Model	Description	Qty.
1	DC12	3-Drawer Unit	2
2	DC6	3-Drawer Unit	4
3	DK552	Door Kit w/ Back Panel	2
4	DV14	Shelf Divider	16
5	HD-52SWP	4-Shelf Unit	2
6	MD601	Cabinet & Drawer Module	1
7	MD604	Cabinet & Drawer Module	1
8	S1M2HC2SPH	Partition/07/Sprinter	1
9	TA1	4-Hook Bar	1
10	WRH5	5-Bar Spool Holder	1
11	43	3-Shelf Literature Rack	1
12	HD-42SWP	4-Shelf Unit	1

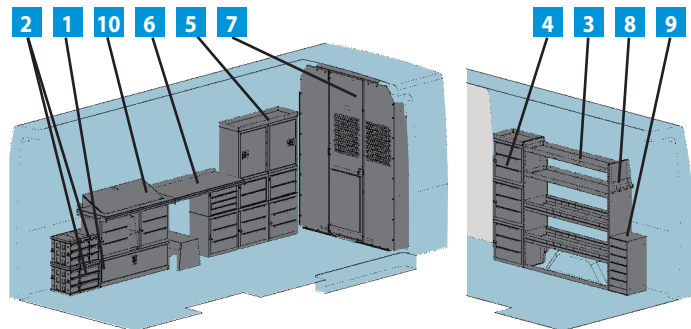
Note: Illustrations and descriptions are for 2007 and newer Sprinter vehicles. Call Adrian Steel for package information for 2006 and older vehicles. 170" interior installed in a Mega High roof Sprinter will require OEM partition.



### 170" SPRINTER HVAC STARTER PACKAGE

#### 4003H High Roof Package

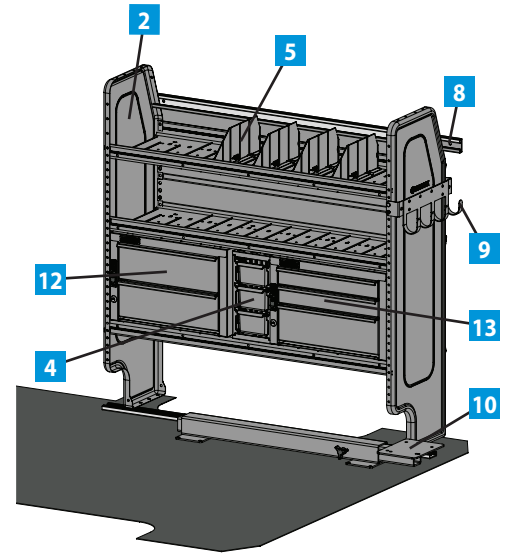
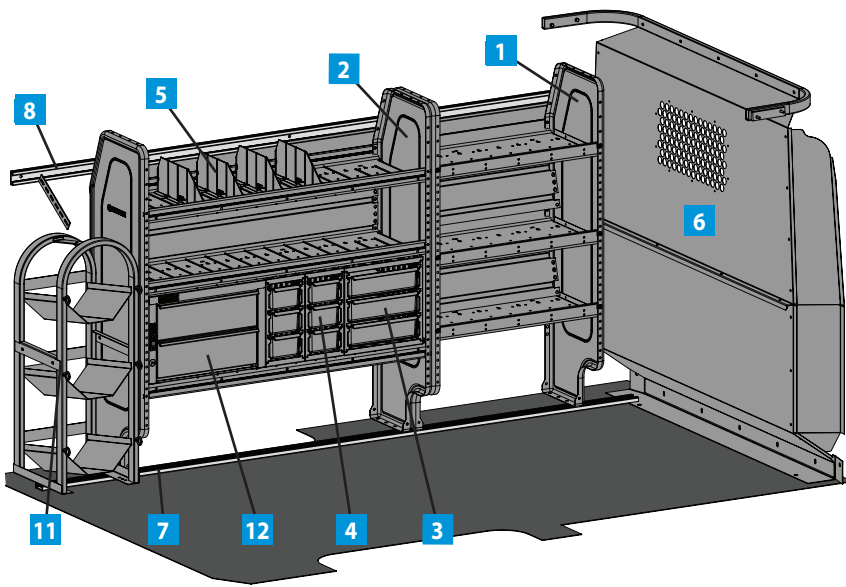
Item	Model	Description	Qty.
1	DC12	3-Drawer Unit	3
2	DC6	3-Drawer Unit	4
3	DK552	Door Kit w/ Back Panel	1
4	DV14	Shelf Divider	12
5	HD-52SWP	4-Shelf Unit	2
6	MD605	Cabinet & Drawer Module	1
7	S1M2HC2SPH	Partition/07/Sprinter	1
8	TA1	4-Hook Bar	1
9	WTRTRAY	Welded Tank Rack Shelf Kit	2
10	350TR	Welded Tank Rack	1
11	430TR	Welded Tank Rack	1
12	919	3-Drawer Unit w/ Lock	2
13	HD-42SWP	4-Shelf Unit	1



### 170" SPRINTER LOCKSMITH STARTER PACKAGE

#### 4004H High Roof Package

Item	Model	Description	Qty.
1	DC12	3-Drawer Unit	1
2	DC6	3-Drawer Unit	4
3	HD-52SWP	4-Shelf Unit	1
4	MD602	Cabinet & Drawer Module	1
5	MD605	Cabinet & Drawer Module	1
6	MD610	Workbench Module	1
7	S1M2HC2SPH	Partition/07/Sprinter	1
8	TA1	4-Hook Bar	1
9	17A	6-Shelf Catalog File	1
10	KMB36	Key Machine Base	1

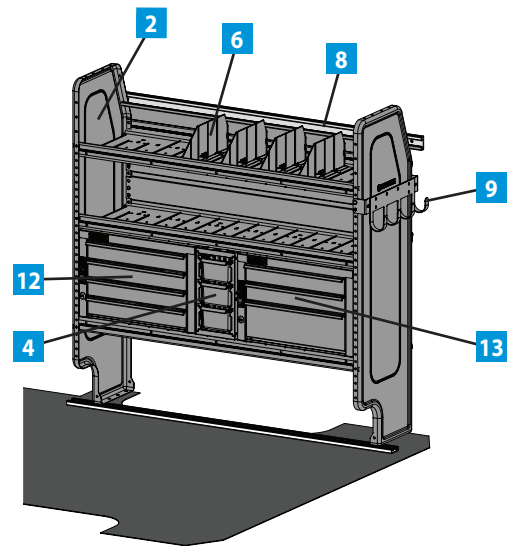
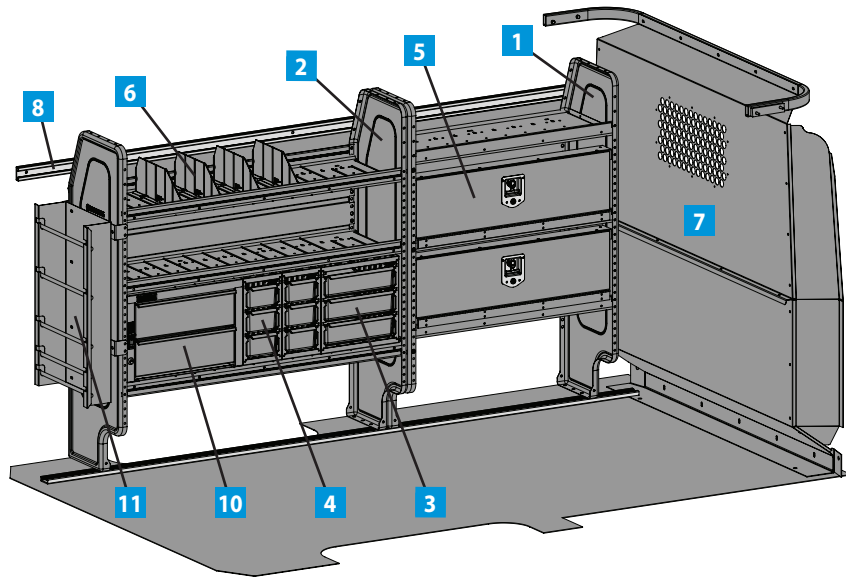


## PLUMBING, HEATING, & A/C STARTER PACKAGE

4318MM

Item	Model	Description	Qty.
<b>4318MM Plumbing, Heating, A/C Upfit</b>			
1	AD26TC	Adjustable 3-Shelf Unit	1
2	AD44FP	Adjustable 3-Shelf Unit	2
3	DC12	3-Drawer Unit	1
4	DC6	3-Drawer Unit	3
5	DV14C8	14" Shelf Dividers	1
6	P2MMS	Steel Partition w/ Visibility	1
7	RKAWTR	Welded Tank Rack Rail Adapter	1

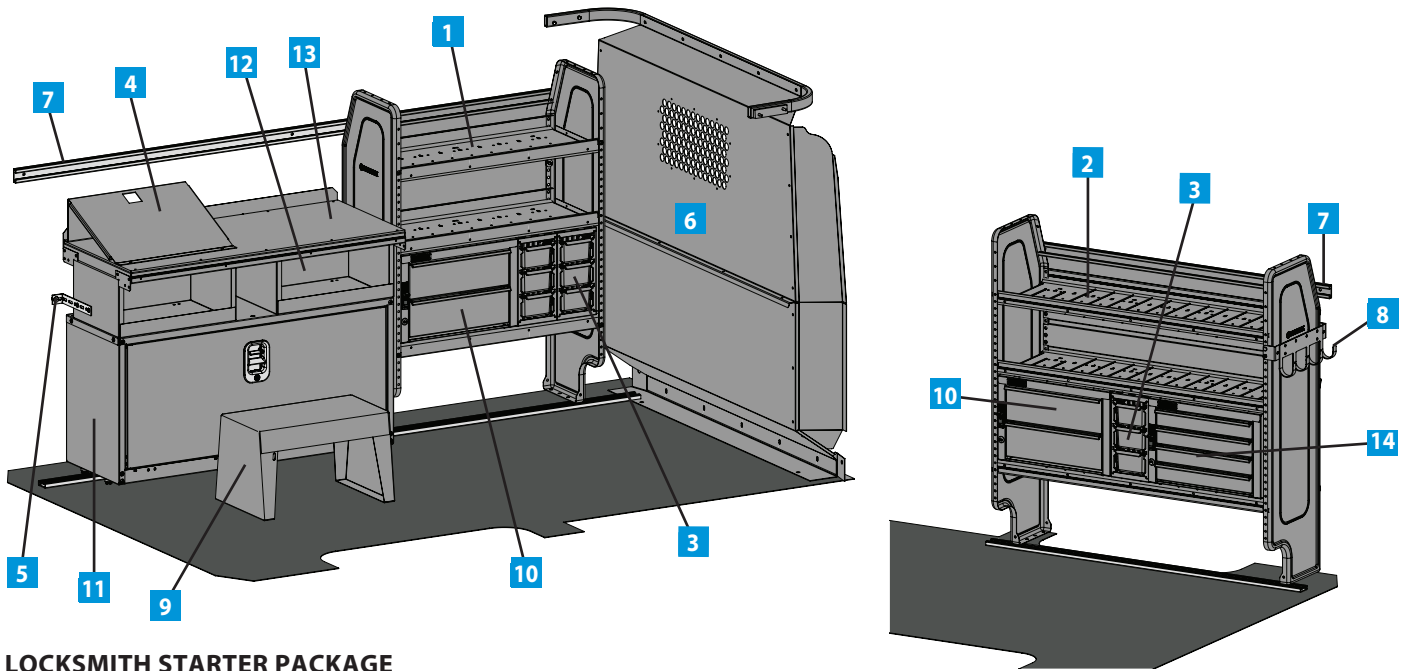
Item	Model	Description	Qty.
8	RKMM	Mounting Rail Kit	1
9	TA1WAD	4-Hook Bar w/ Adapter	1
10	VMA36	Vise Mount Assembly	1
11	230150TR	EZLoad Tank Rack	1
12	19	2-Drawer Unit w/ Lock	2
13	919	3-Drawer Unit w/ Lock	1



## ELECTRICAL & GAS STARTER PACKAGE

4319MM

Item	Model	Description	Qty.
<b>4319MM Electric-Gas Upfit</b>			
1	AD32FP	Adjustable 3-Shelf Unit	1
2	AD44FP	Adjustable 3-Shelf Unit	2
3	DC12	3-Drawer Unit	1
4	DC6	3-Drawer Unit	3
5	DK3008	Door Kit	1
6	DV14C8	14" Shelf Dividers	1
7	P2MMS	Steel Partition w/ Visibility	1

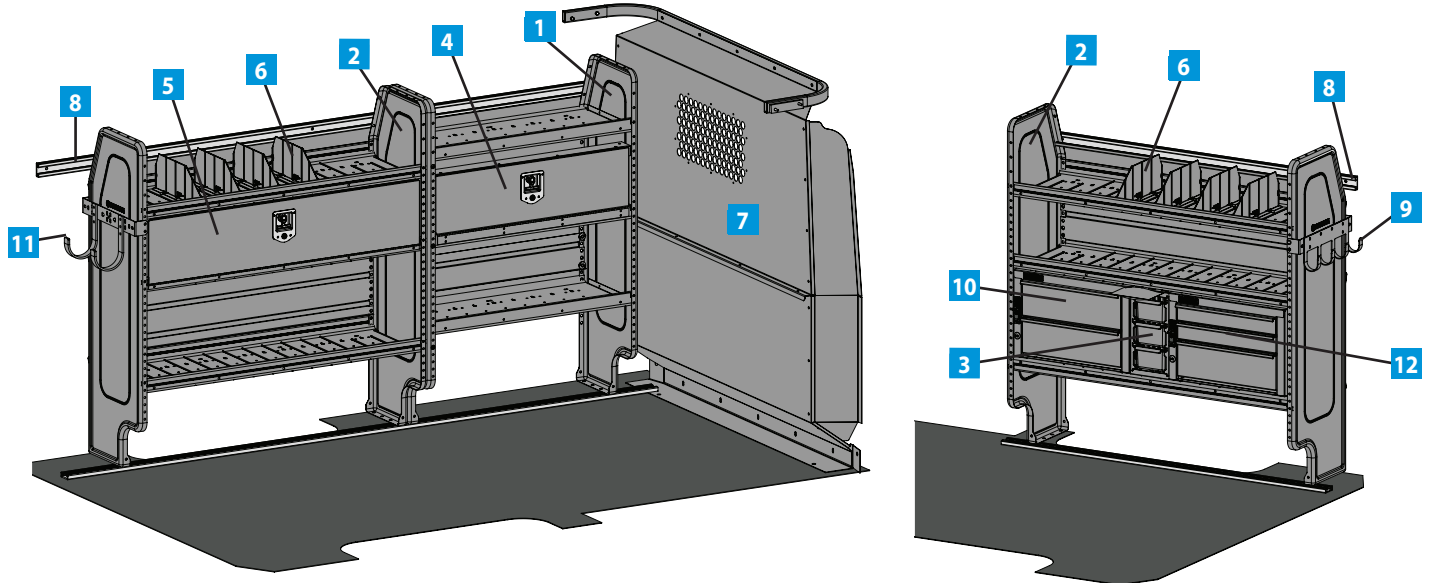


### LOCKSMITH STARTER PACKAGE

2255MM

Item	Model	Description	Qty.
<b>2255MM Locksmith Upfit</b>			
1	AD32FP	Adjustable 3-Shelf Unit	1
2	AD44FP	Adjustable 3-Shelf Unit	1
3	DC6	3-Drawer Unit	3
4	KMB18	Key Machine Base	1
5	MB113	Mounting Bracket w/ Fasteners	2
6	P2MMS	Steel Partition w/ Visibility	1
7	RKMM	Mounting Rail Kit	1
8	TA1WAD	4-Hook Bar w/ Adapter	1

Item	Model	Description	Qty.
9	14	Step Stool	1
10	19	2-Drawer Unit w/ Lock	2
11	40H	Wheelwell Bin w/ Lock, ProMaster	1
12	46618	Riser Shelf Kit, MD608PM	2
13	60105	Workbench Top	1
14	9	4-Drawer Unit w/ Lock	1



### GENERAL SERVICE STARTER PACKAGE

4317MM

Item	Model	Description	Qty.
<b>4317MM General Package Upfit</b>			
1	AD32FP	Adjustable 3-Shelf Unit	1
2	AD44FP	Adjustable 3-Shelf Unit	2
3	DC6	3-Drawer Unit	1
4	DK3008	Door Kit	1
5	DK4208	Door Kit w/ Open Back	1
6	DV14C8	14" Shelf Dividers	1
7	P2MMS	Steel Partition w/ Visibility	1
8	RKMM	Mounting Rail Kit	1

Item	Model	Description	Qty.
9	TA1WAD	4-Hook Bar w/ Adapter	1
10	19	2-Drawer Unit w/ Lock	1
11	47939	2-Utility Hooks w/ End Panel Adapter	1
12	919	3-Drawer Unit w/ Lock	1

MODEL	PAGE	DESCRIPTION
1	15	Adjustable Single Shelf Cabinet w/ Lock
12	15	Adjustable Single Shelf Cabinet w/ Lock
12A	15	End Panel for #12 Cabinet
130150TR	8	EZLoad™ Tank Rack, 30lb. (1), 50lb. (1)
130250TR	8	EZLoad™ Tank Rack, 30lb. (1), 50lb. (2)
130TR	8	EZLoad™ Tank Rack, 30lb. (1)
14	9	Step Stool
150TR	8	EZLoad™ Tank Rack, 50lb. (1)
19	15	2-Drawer Unit w/ Lock
1A	15	Shelf for #1 Cabinet
1ACTR	8	1-Acetylene Tank Holder
2	15	4-Drawer Unit
2255MM	21	Locksmith Starter Package
230150TR	8	EZLoad™ Tank Rack, 30lb. (2), 50lb. (1)
230TR	8	EZLoad™ Tank Rack, 30lb. (2)
250TR	8	EZLoad™ Tank Rack, 50lb. (2)
2ACTR	8	2-Acetylene Tank Holder
2B4CW	14	2-Bar w/ 4" Uprights, Compact
2B4W	14	2-Bar w/ 4" Uprights
2B6CW	14	2-Bar w/ 6" Uprights, Compact
2B6W	14	2-Bar w/ 6" Uprights
2B9RCW	14	2-Bar w/ 9" Ratchet Uprights, Compact
2B9RW	14	2-Bar w/ 9" Ratchet Uprights
2BARCW	10	58" Crossbar Kit
2BARW	10	68" Crossbar Kit
330TR	8	EZLoad™ Tank Rack, 30lb. (3)
350TR	8	EZLoad™ Tank Rack, 50lb. (3)
35325-G	5	32" Shelf
35327-G	5	44" Shelf
35328-G	5	50" Shelf
3B4W	14	3-Bar w/ 4" Uprights
3B6RRSPRW	14	3-Bar w/ 6" Uprights & Rear Roller
3B6W	14	3-Bar w/ 6" Uprights
3B9RW	14	3-Bar w/ 9" Uprights & 9" Ratchet Uprights
4001H	19	General Service Starter Package
4002H	19	Electrical Starter Package
4003H	19	HVAC Starter Package
4004H	19	Locksmith Starter Package
4013H	18	General Service Starter Package
4014H	18	Electrical Starter Package
4015H	18	HVAC Starter Package
40	15	Wheel-Well Bin w/Lock
4016H	18	Locksmith Starter Package
430TR	8	EZLoad™ Tank Rack, 30lb. (4)
4317MM	21	General Service Starter Package
4318MM	20	Plumbing Starter Package
4319MM	20	Electrical Starter Package
66206	9	Open Storage Box Tray, 24"
66241	9	Battery Charging Station
66246	9	Open Storage Box Tray, 14"
66761	9	Gas Cylinder/Spray Bottle Holder, Small
66764	9	Gas Cylinder/Spray Bottle Holder, Large
66881	9	Instant Folding Desk
80-1FSV	6	Undershelf Conduit Kit, 10'
8	15	3-Drawer Unit
9	15	4-Drawer Unit w/ Lock

MODEL	PAGE	DESCRIPTION
919	15	3-Drawer Unit w/ Lock
ACT3	9	3-Slot Aerosol Can Holder
ACT4	9	4-Slot Aerosol Can Holder
AD32FP	5	3-Shelf Unit
AD44FP	5	3-Shelf Unit
AD50FP	5	3-Shelf Unit
BAGST	8	Tank Rack Stacking Bracket
BC0020NB	15	4-Bin Cabinet w/ Bins
BC6	15	6-Bin Cabinet w/ Bins
BC6ADJ	15	6-Bin Cabinet w/ Latch & Bins, Adjustable
BRK14EPS	5	End Panel Mounting Bracket
CH-1514DBL	15	2-Case Holder w/ Cases
CH-EP	15	3-Case Holder w/ Cases
CH1514SGL	15	1-Case Holder w/ Case
CHL4	9	4-Slot Caulk Tube Holder, 29 oz.
CHL7	9	7-Slot Caulk Tube Holder, 29 oz.
CHPPC4S	15	4-Case Holder w/ Cases
CHPPC5SM	15	5-Case Holder w/ Cases
CH55	9	5-Slot Caulk Tube Holder, 10 oz.
CH58	9	8-Slot Caulk Tube Holder, 10 oz.
CL1446R	15	Adjustable 3-Shelf Cabinet w/ Lock, Full Door
DC12	15	3-Drawer Unit, 12"
DC6	15	3-Drawer Unit, 6"
DK26TC	5	Door Kit
DK3010	5	Door Kit
DK32TC	5	Door Kit
DK4208	5	Door Kit
DK4210	5	Door Kit
DK4810	5	Door Kit
DST21	9	Door Storage Holder
DT21	9	Door Tray
DTL21	9	Door Tray Lid
DTWL21	9	Door Tray w/ Latching Lid
DV12AD	5	Shelf Divider, 12"
DV14	5	Shelf Divider, 14"
DV14C1	5	Shelf Divider, 14", Single
DV14C8	5	Shelf Divider, 14", 8-Pack
DVTR4SHELF	8	Divider for Tank Rack Shelf
FSFK2036	7	36" Folding Shelf Kit, 2-Pack
FSFK2048	7	48" Folding Shelf Kit, 2-Pack
FSFK2060	7	60" Folding Shelf Kit, 2-Pack
FSFK2072	7	72" Folding Shelf Kit, 2-Pack
FSFMKSPR	7	Folding Shelf Mounting Kit
FSFMKSPRA	7	Folding Shelf Mounting Kit, Add-On
FSFMKSPRAS	7	Folding Shelf Mounting Kit, Add-On
FSFMKSPRS	7	Folding Shelf Mounting Kit
FSFPKMH	7	Upright Kit
FSFPKMHA	7	Upright Kit, Add-On
GHSR	9	Rear Door Grab Handles
HD-1632HR	6	4-Shelf Unit, 32"
HD-1632HRC	6	4-Shelf Unit w/ Undershelf Conduit Cutout, 32"
HD-1640HR	6	4-Shelf Unit, 40"
HD-1640HRC	6	4-Shelf Unit w/ Undershelf Conduit Cutout, 40"
HD-1644HR	6	4-Shelf Unit, 44"
HD-1644HRC	6	4-Shelf Unit w/ Undershelf Conduit Cutout, 44"

MODEL	PAGE	DESCRIPTION
HD-1650HR	6	4-Shelf Unit, 50"
HD-1650HRC	6	4-Shelf Unit w/ Undershelf Conduit Cutout, 50"
HD-1660HR	6	4-Shelf Unit, 60"
HD-1660HRC	6	4-Shelf Unit w/ Undershelf Conduit Cutout, 60"
HD-32SWP	6	4-Shelf Unit
HD-42SWP	6	4-Shelf Unit
HD-52SWP	6	4-Shelf Unit
JD42FP	7	3-Shelf Unit
JD48FP	7	2-Shelf Unit
JD60FP	7	2-Shelf Unit
MMMBK22W	14	Mounting Kit, 2-Pack
MMMBK4W	14	Mounting Kit, 4-Pack
P2MMS	4	Steel Partition, Metris
PARMM-NW	3	Composite Partition
PARMM	3	Composite Partition w/ Visibility
PARSPH-NW	3	Composite Partition
PARSPH	3	Composite Partition w/ Visibility
PARSPL-NW	3	Composite Partition
PARSPL	3	Composite Partition w/ Visibility
PLM61SP	10	Passenger Side Max-Drop ProLift Ladder Rack
PLM61SPH	10	Passenger Side Max-Drop ProLift Ladder Rack
PLM61SPHO	10	Passenger Side Max-Drop ProLift Ladder Rack, OEM Rail
PLM61SPO	10	Passenger Side Max-Drop ProLift Ladder Rack, OEM Rail
PLM63SP	10	Dual Side Max-Drop ProLift Ladder Rack
PLM63SPH	10	Dual Side Max-Drop ProLift Ladder Rack
PLM63SPHO	10	Dual Side Max-Drop ProLift Ladder Rack, OEM Rail
PLM63SPO	10	Dual Side Max-Drop ProLift Ladder Rack, OEM Rail
PLMDDSMHW	10	Driver Side ProLift Kit, Max-Drop, High Roof
PLMDDSMW	10	Driver Side ProLift Kit, Max-Drop
PLMDPSMHW	10	Passenger Side ProLift Kit, Max-Drop, High Roof
PLMDPSMW	10	Passenger Side ProLift Kit, Max-Drop
PPCL	15	Large Portable Parts Cases
PPCS	15	Small Portable Parts Cases
PT32	6	32" Wheel-well Pipe Tray
PT40	6	40" Wheel-well Pipe Tray
PT44	6	44" Wheel-well Pipe Tray
PT50	6	50" Wheel-well Pipe Tray
PT60	6	60" Wheel-well Pipe Tray
RKA2	5	Rail Kit Adapter
RKA3	5	Rail Kit Adapter
RKA4	5	Rail Kit Adapter
RKA919	5	Rail Kit Adapter
RKMM2SD	5	Dual Slider Mounting Rail Kit, Metris 126"
RKMM	5	Mounting Rail Kit, Metris 126"
RKMMLWB	5	Mounting Rail Kit, Metris 135"
RRKSP	10	Rail Kit
S1M1C1SPH	4	Steel Partition
S1M1C1SPS	4	Steel Partition

MODEL	PAGE	DESCRIPTION
S1M1HC1SPH	4	Steel Partition w/ Door
S1M1HC1SPS	4	Steel Partition w/ Door
S1M2C2SPH	4	Steel Partition w/ Visibility
S1M2C2SPS	4	Steel Partition w/ Visibility
S1M2HC2SPH	4	Steel Partition w/ Door & Visibility
S1M2HC2SPS	4	Steel Partition w/ Door & Visibility
SA-10	15	Single Compartment Floor Drawer, Tall
SA-20	15	Single Compartment Floor Drawer, Tall
SA-40	15	Triple Compartment Floor Drawer, Short
SAJ-10	15	Single Compartment Floor Drawer, Short
SAJ-20	15	Single Compartment Floor Drawer, Short

MODEL	PAGE	DESCRIPTION
SAJ-30	15	Double Compartment Floor Drawer, Short
SAJ-40	15	Triple Compartment Floor Drawer, Short
SBIN060614	15	Snap In Bin, 6"
SBIN120614	15	Snap In Bin, 12"
SBINDIV	15	Snap In Bin Divider
SF20832XCK	6	32" Wheel-well Shelf, 8" Deep
SF20840XCK	6	40" Wheel-well Shelf, 8" Deep
SF20844XCK	6	44" Wheel-well Shelf, 8" Deep
SF20850XCK	6	50" Wheel-well Shelf, 8" Deep
SF20860XCK	6	60" Wheel-well Shelf, 8" Deep
SPRMBK2W	14	Mounting Kit, 2-Pack
SPRMBK4	10	Roof Rail Mounting Kit
SPRMBK4W	14	Mounting Kit, 4-Pack
STEPSPRRD	9	Rear Door Step
STEPSPRSD	9	Side Door Step
TA19	15	Compressed Gas Tank Cabinet
TA1WAD	9	4-Hook Bar

MODEL	PAGE	DESCRIPTION
TA2	9	Hard Hat Holder
TR4SHELF30	8	Shelf for 30 lb. Tank Racks, 4" Lip
TRSHSELF30	8	Shelf for 30 lb. Tank Racks, 1" Lip
TRSHLFBKRT	8	Tank Shelf Bracket
UH10	9	Utility Hook, 1"
UH25	9	Utility Hook, 2.5"
UH50	9	Utility Hook, 5"
UH50RM1	3	Utility Hook, 5"
VMA24F-WV	9	Professionals Folding Vice w/ Snap-On Vice
VMA24F	9	Professionals Folding Vice Base
WRH5	9	Wire Reel Holder

## Notes

---



---

---

---

---

---

---

---

---

---

---

---

---

---

---

---

---

---

---

---

---

---

---

---

---

---



# ADRIAN STEEL®

Cargo Management Solutions for Commercial Vehicles



## QUALITY

- Our products are durable and reliable. Warranty claims are less than 1% of sales.
- Our warranty covers our products for three years or 36,000 miles when installed by an authorized Adrian Steel distributor.

## INNOVATIVE PRODUCTS WITH FEATURES THAT MATTER

- Drawers that stay closed while in transit.
- ADseries truly adjustable shelving platform.
- Drop Down and Grip Lock ladder racks that load and unload the safe and right way.
- Interior ladder storage.
- Plug and Play accessories.
- Anti-slam drawer latches, and much more!

## COMMITMENT

At Adrian Steel, we are committed to you beyond the upfit!

- A dedicated Customer Care Team at corporate headquarters.
- A network of highly qualified distributors to support you locally.
- Our commitment to provide the best cargo management solutions in North America.



## EXPERIENCE

- **Over One Million vans upfitted**, and counting! It's a fact that an organized vehicle increases work flow efficiencies and reduces inventory damages.
- Recognized as a National Truck Equipment Association MVP.

## SERVICE

- Adrian Steel Products can be purchased throughout North America at authorized Adrian Steel distributors.
- Adrian Steel Customer Service Representatives are available M-F, 8am - 5pm EST at **1-800-677-2726**.
- E-mail us at [info@adriansteel.com](mailto:info@adriansteel.com) with questions, comments and feedback.
- Visit [AdrianSteel.com](http://AdrianSteel.com) for the most up-to-date product information, distributor locator, product catalogs, videos and more.

[adriansteel.com](http://adriansteel.com)

800-677-2726

906 James St.  
Adrian, MI 49221