



ADRIAN STEEL®

Cargo Management Solutions for Commercial Vehicles



NV CARGO & NV200 PRODUCT CATALOG

ADRIAN STEEL HAS ALL THE STORAGE PRODUCTS YOU WILL NEED

And the distributor network to professionally install your interior to get you serving your customers faster! Below is a guide to help you set up your work van with the equipment you need to get the job done. Build your own interior with our modular products, or start with a trade specific package and modify it to your specific needs.

ZONE 1 PARTITION

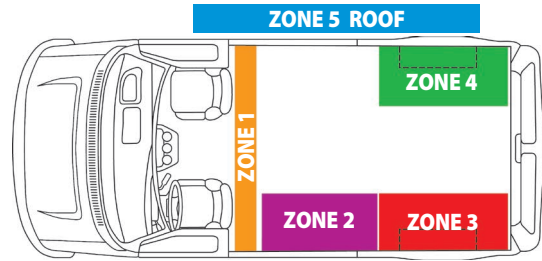
- Choose partition style and wing kit (if applicable.)
- Add accessories.
- I need:

ZONES 2, 3, 4 CURBSIDE & STREETSIDE

- Use layout diagram to determine the amount of space available.
- Choose from a variety of shelving units and modules, or a trade specific interior package.
- I need:

ADDITIONAL STORAGE

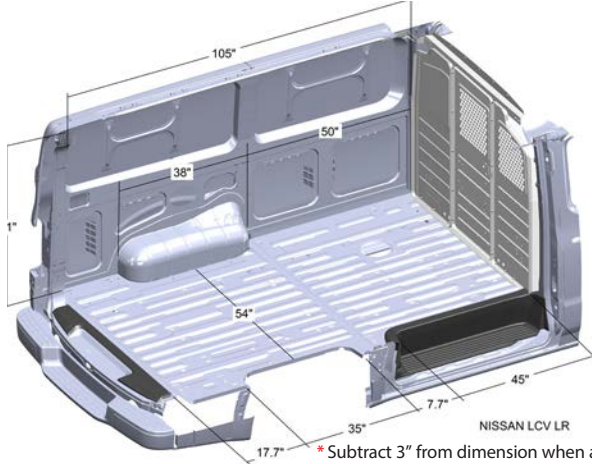
- Add accessories to shelving and partition
- Hooks, drawers, files, screens, and more.
- I need:



ZONE 5 ROOF

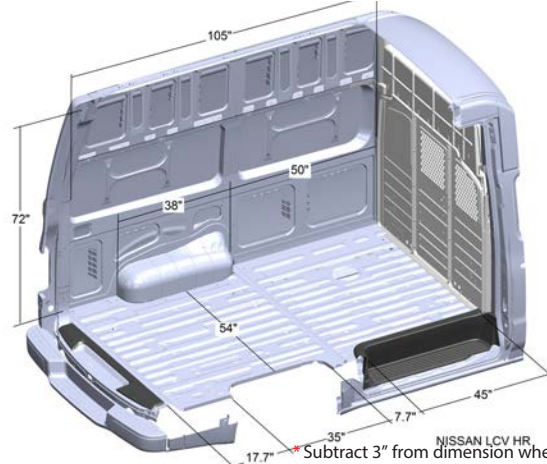
- What do you need to carry?
- Choose a ladder rack or utility rack to fit your needs.
- I need:

NV CARGO WITH STANDARD PARTITION



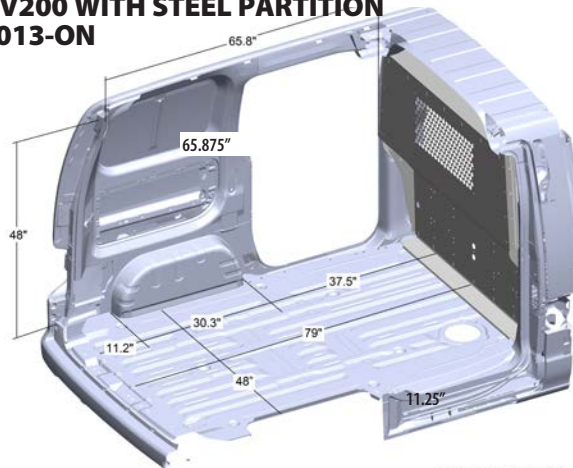
NISSAN LCV LR
 * Subtract 3" from dimension when a Max Comfort partition wing kit is installed.
 Note: Dimensions for reference only. Measure your van or contact your distributor for your exact needs.

NV CARGO WITH HIGH ROOF PARTITION



NISSAN LCV HR
 * Subtract 3" from dimension when a Max Comfort partition wing kit is installed.
 Note: Dimensions for reference only. Measure your van or contact your distributor for your exact needs.

NV200 WITH STEEL PARTITION 2013-ON



* Measures 79" at the floor and up to 13" off the floor. Measures 72" at 23" and higher off the floor.

Note: Dimensions for reference only. Measure your van or contact your distributor for your exact needs.

NV200 / CITY EXPRESS

All illustrations, photos and specifications in this publication are based on the latest product information available at the time of content approval. The right is reserved to make changes at any time, without notice, in materials, specifications and models, and also to discontinue models.

NISSAN COMMERCIAL INCENTIVE PROGRAM



NISSAN AND ADRIAN STEEL ARE COMMITTED BUSINESS PARTNERS AND THEY HAVE TEAMED UP TO OFFER YOU THE COMMERCIAL STORAGE PRODUCTS NECESSARY TO GROW YOUR BUSINESS.

The Nissan Commercial Incentive Program offers qualified commercial customers substantial benefits, including your choice of upfit packages featuring shelving or ladder storage options for both NV Cargo Standard/High roof models and NV200 Compact Cargo.

PROGRAM ELIGIBILITY:

Incentives available only to a commercial business. Subject to verification and eligibility requirements. Customers who can provide one of the following eligible business documents can take advantage of the Nissan Commercial Incentive Program. All eligible business documentation must link the owner's name to the business.

- Business License
- Copies of DBA or assumed name document
- Articles of Incorporation
- Sales Tax License
- State or Federal forms showing a Federal Identification Number
- Nissan FAN code
- Verifiable D & B listing
- Municipal Business License
- State or Federal authorized business website (must have a .gov web address)
- State Occupational License for Trade (for example Plumber, Electrician, Contractor)



The Nissan Commercial Incentive Program is available only through Nissan Business Certified Dealers in the US.

- You must purchase or lease and take delivery of an eligible NV Cargo or NV200 Compact Cargo commercial van during the program period.
- Customer Responsibility charges are to be paid directly to the Adrian Steel Distributor.
- NV Cargo Program Accessories selected on program claims will be invoiced by Nissan through their dealer.

NEED HELP?

Contact your local Nissan Commercial Vehicle Dealer for more information about the Commercial Incentive Program. Locate your dealer online at: www.nissancommercialvehicles.com/dealer-locator

Adrian Steel Product questions can be directed to your local Adrian Steel distributor. Locate your distributor online at: www.adriansteel.com/distributors

COMMERCIAL STARTER PACKAGE (#4484)

ITEM	MODEL	DESCRIPTION	QTY
1	S1M2C2FSV	Steel Partition Panel Kit w/ Visibility	1
2	AD44LCV	Adjustable 3-Shelf Unit	3
3	TA1WAD	4-Hook Bar w/ Adapter	1
4	WKC1LCVS	Steel Partition Mounting Kit	1
5	RKLCV	Mounting Rail Kit	1



UTILITY STARTER PACKAGE

ITEM	MODEL	DESCRIPTION	QTY
1	S1M2C2FSV	Steel Partition Panel Kit w/ Visibility	1
2	2B6CW	2-Bar Utility Rack w/ 6" Uprights	1
3	NV200MBK4W	Utility Rack Mounting Kit, 4-Pack	1
4	WKC1LCVS	Steel Partition Mounting Kit	1



Safely transport ladders, conduit, sheet goods and more on the roof of your NV Cargo with a Utility Rack.

LADDER RACK & PARTITION STARTER PACKAGE

ITEM	MODEL	DESCRIPTION	QTY
1	S1M2C2FSV	Steel Partition Panel Kit w/ Visibility	1
2	61-GLNVL2	Passenger Side Grip Lock Ladder Rack	1
3	WKC1LCVS	Steel Partition Mounting Kit	1



A cargo partition inside keeps your cargo in the back and helps with cab climate control. Bolt on partition accessories allow for easy access and organization.



NV CARGO

* Nissan Commercial Incentive Program provided by Nissan North America, Inc. for eligible NV Cargo vans.
 * Program available only through Nissan Business Certified Dealers in the United States.

BASE STARTER PACKAGE (#4519)

ITEM	MODEL	DESCRIPTION	QTY
1	S1M2C2FSV	Steel Partition Panel Kit w/ Visibility	1
2	AD44LCV	Adjustable 3-Shelf Unit	3
3	TA1WAD	4-Hook Bar w/ Adapter	1
4	WKC1LCVH	Steel Partition Mounting Kit	1
5	RKLCV	Mounting Rail Kit	1



UTILITY STARTER PACKAGE

ITEM	MODEL	DESCRIPTION	QTY
1	S1M2C2FSV	Steel Partition Panel Kit w/ Visibility	1
2	LKLCV	Ceiling Ladder Holder	1
3	WKC1LCVH	Steel Partition Mounting Kit	1

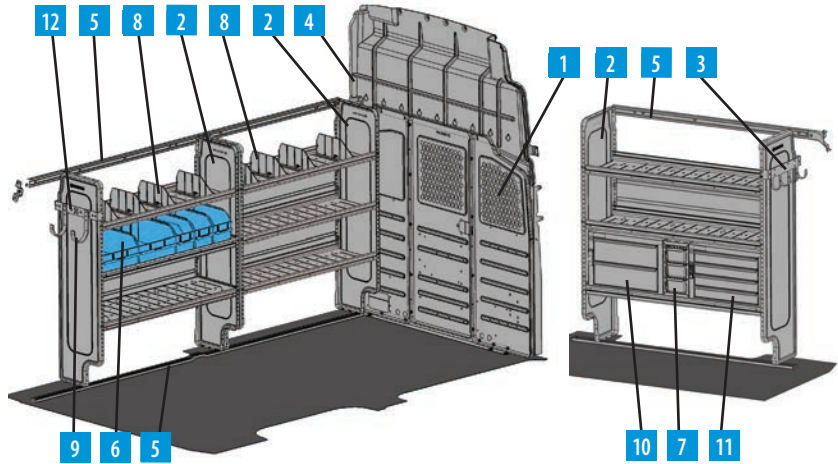
Keep ladders out of the elements and out of the way with an interior ladder rack. Store up to a 6 ft. step ladder inside your high roof NV Cargo. A full height cargo partition keeps your cargo in the back and helps with cab climate control. Bolt on partition accessories allow for easy access and organization.



NV CARGO

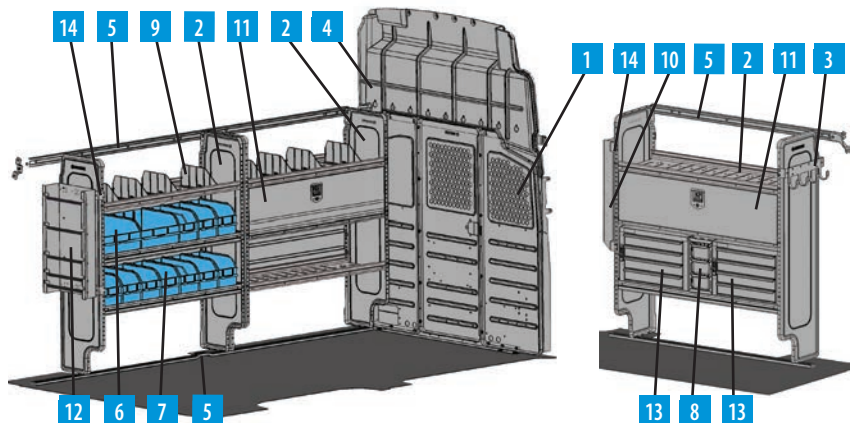
GENERAL SERVICE STARTER PACKAGE (#4686NH)

ITEM	MODEL	DESCRIPTION	QTY
1	S1M2C2FSV	Steel Partition Panel Kit w/ Visibility	1
2	AD44LCV	Adjustable 3-Shelf Unit	3
3	TA1WAD	4-Hook Bar w/ Adapter	1
4	WKC1LCVH or WKC1LCVS	Steel Partition Mounting Kit Steel Partition Mounting Kit	1 1
5	RKLCV	Mounting Rail Kit	1
6	BR36212	Bin Set for Adjustable Shelving	1
7	DC6	3-Drawer Unit	1
8	DV14C1	Shelf Divider	8
9	UH50	Utility Hook	2
10	19	2-Drawer Unit w/ Lock	1
11	9	4-Drawer Unit w/ Lock	1
12	BRK14EPS	End Panel Mounting Bracket	1



ELECTRICAL CONTRACTOR STARTER PACKAGE (#4687NH)

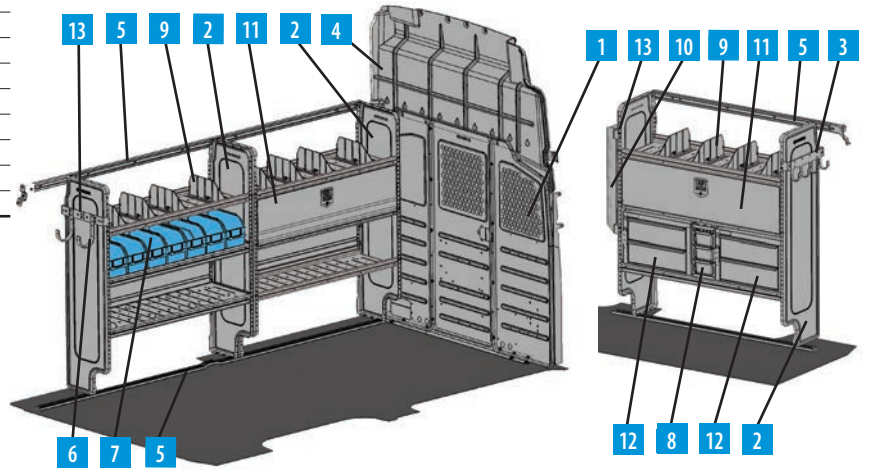
ITEM	MODEL	DESCRIPTION	QTY
1	S1M2C2FSV	Steel Partition Panel Kit w/ Visibility	1
2	AD44LCV	Adjustable 3-Shelf Unit	3
3	TA1WAD	4-Hook Bar w/ Adapter	1
4	WKC1LCVH or WKC1LCVS	Steel Partition Mounting Kit Steel Partition Mounting Kit	1 1
5	RKLCV	Mounting Rail Kit	1
6	BR36212	Bin Set for Adjustable Shelving	1
7	BR76012	Bin Set for Adjustable Shelving	1
8	DC6	3-Drawer Unit	1
9	DV14C1	Shelf Divider	8
10	CB5	5-Slot Literature Rack	1
11	DK4210	Door Kit w/ Open Back	2
12	WRH5	5-Bar Spool Holder	1
13	9	Four Drawer Shallow	2
14	BRK14EPS	End Panel Bracket	4



NV CARGO

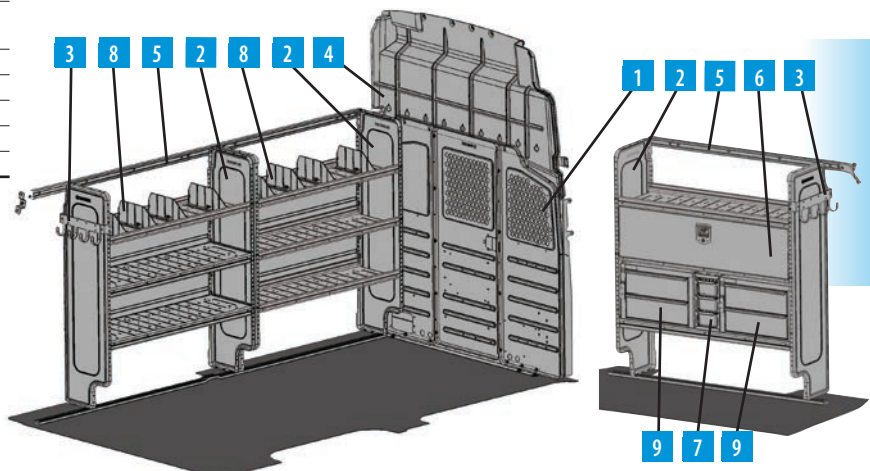
SECURITY STARTER PACKAGE

ITEM	MODEL	DESCRIPTION	QTY
1	S1M2C2FSV	Steel Partition Panel Kit w/ Visibility	1
2	AD44LCV	Adjustable 3-Shelf Unit	3
3	TA1WAD	4-Hook Bar w/ Adapter	1
4	WKC1LCVH or WKC1LCVS	Steel Partition Mounting Kit Steel Partition Mounting Kit	1 1
5	RKLCV	Mounting Rail Kit	1
6	UH50	Utility Hook	2
7	BR76012	Bin Set for Adjustable Shelving	1
8	DC6	3-Drawer Unit	1
9	DV14C1	Shelf Divider	12
10	CB5	5-Slot Literature Rack	1
11	DK4210	Door Kit w/ Open Back	2
12	19	2-Drawer Unit w/ Lock	2
13	BRK14EPS	End Panel Bracket	3



SATELLITE INSTALLATION STARTER PACKAGE

ITEM	MODEL	DESCRIPTION	QTY
1	S1M2C2FSV	Steel Partition Panel Kit w/ Visibility	1
2	AD44LCV	Adjustable 3-Shelf Unit	3
3	TA1WAD	4-Hook Bar w/ Adapter	2
4	WKC1LCVH or WKC1LCVS	Steel Partition Mounting Kit Steel Partition Mounting Kit	1 1
5	RKLCV	Mounting Rail Kit	1
6	DK4210	Door Kit w/ Open Back	1
7	DC6	3-Drawer Unit	1
8	DV14C1	Shelf Divider	8
9	19	2-Drawer Unit w/ Lock	2

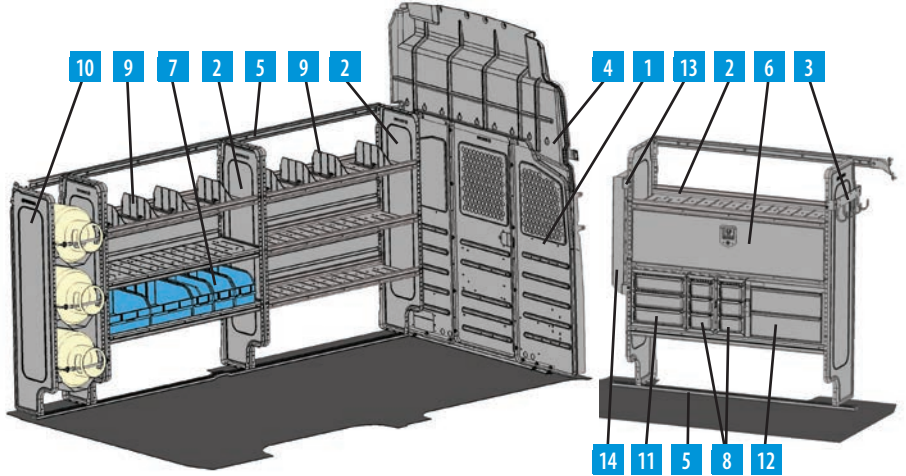


* Nissan Commercial Incentive Program provided by Nissan North America, Inc. for eligible NV Cargo vans.
 * Program available only through Nissan Business Certified Dealers in the United States.

HVAC STARTER PACKAGE, LOW ROOF (#4690NS)

HVAC STARTER PACKAGE, HIGH ROOF (#4690NH)

ITEM	MODEL	DESCRIPTION	QTY
1	S1M2C2FSV	Steel Partition Panel Kit w/ Visibility	1
2	AD44LCV	Adjustable 3-Shelf Unit	3
3	TA1WAD	4-Hook Bar w/ Adapter	1
4	WKC1LCVH or WKC1LCVS	Steel Partition Mounting Kit, HR Steel Partition Mounting Kit, LR	1
5	RKLCV	Mounting Rail Kit	1
6	DK4210	Door Kit w/ Open Back	1
7	BR36212	Bin Set for Adjustable Shelving	1
8	DC6	3-Drawer Unit	2
9	DV14C1	Shelf Divider	8
10	TH51FP	3-Shelf Tank Rack	1
11	DC12	3-Drawer Unit	1
12	19	2-Drawer Unit w/ Lock	1
13	BRK14EPS	End Panel Mounting Bracket	2
14	CB5	5-Slot Literature Rack	1



LOCKSMITH STARTER PACKAGE, LOW ROOF

ITEM	MODEL	DESCRIPTION	QTY
1	S1M2HC2FSV	Partition with Door	1
2	WKC1LCVS	Steel Partition Mounting Kit	1
3	RKLCV	Mounting Rail Kit	1
4	RKALCV	Mounting Rail Kit Adapter	1
5	MD506	Shelf and Drawer Module	1
6	MD608	Workbench Module (18"x26"x84")	1
7	17A	6-Shelf Catalog File	1
8	TA1	4-Hook Bar (not shown)	1



LOCKSMITH STARTER PACKAGE, HIGH ROOF (#2255NH)

ITEM	MODEL	DESCRIPTION	QTY
1	S1M2HC2FSV	Partition with Door	1
2	WKC1LCVH	Steel Partition Mounting Kit	1
3	RKLCV	Mounting Rail Kit	1
4	RKALCV	Mounting Rail Kit Adapter	1
5	MD506	Shelf and Drawer Module	1
6	MD608NH	Workbench Module	1
7	17A	6-Shelf Catalog File	1
8	TA1	4-Hook Bar (not shown)	1

NV CARGO

* Nissan Commercial Incentive Program provided by Nissan North America, Inc. for eligible NV Cargo vans.
* Program available only through Nissan Business Certified Dealers in the United States.



STEEL PARTITION DOOR KIT (PDK1)

The PDK1 Partition Door Kit converts an M-Series fixed center panel into a hinged door with a keyed slam latch. Includes two 6" hinges, a bulb seal and a slam latch. These features reduce vibration noise.



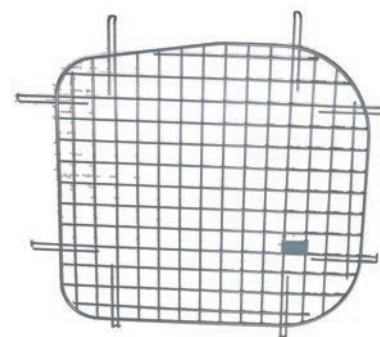
MAX COMFORT STEEL PARTITION MOUNTING KIT (WKC1LCVS3) - std roof (WKC1LCVH3) - high roof

Upgrade to the Max Comfort Wing Kit and extend the amount of cab space you have by an additional 3 inches. (Reduces cargo area by 3")



DOOR KIT W/ OPEN BACK (DK4208)

Simply bolts on to an AD44LCV Adjustable 3-Shelf Unit to transform an open shelf into a locking cabinet. Creates an 8" high cabinet that keeps expensive cargo out of sight. Features a recessed, key-locking T-handle.



Rear Doors Security Screen Kit (60-NRD)

Adds security to cargo area windows



Aluminum Conduit Kit, 10'6" (80-1)

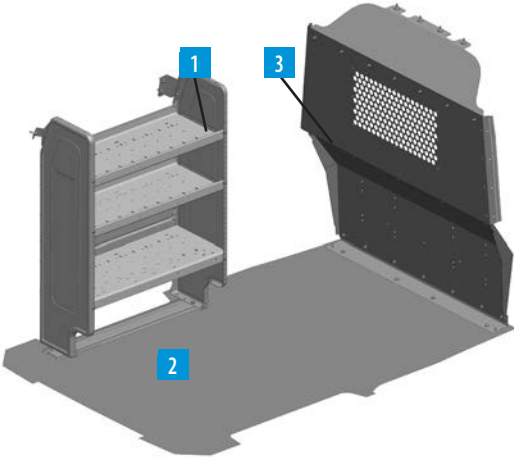
Transport conduit safely on the top of your standard roof NV Cargo. The Aluminum Conduit Carrier's two piece design features a lift-up door with a spring assist for easy access and lockable swivel closure for security. Constructed with .063" diamond tread aluminum with a bolt-on plate at the front to allow access to the front end of the carrier.

NV CARGO

BASE STARTER PACKAGE

One ADseries Shelf and Steel Partition
(#4959)

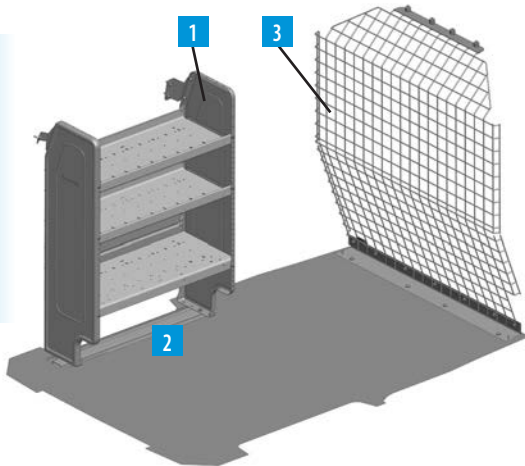
ITEM	MODEL	DESCRIPTION	QTY
1	AD32FP	Adjustable 3-Shelf Unit	1
2	RKNV2-SS	Driver Side Mounting Plate Kit	1
3	P2NV2S	Steel Partition w/ Visibility	1



BASE STARTER PACKAGE

One ADseries Shelf and Wire Partition
(#4960)

ITEM	MODEL	DESCRIPTION	QTY
1	AD32FP	Adjustable 3-Shelf Unit	1
2	RKNV2-SS	Driver Side Mounting Plate Kit	1
3	P2NV2FW	Wire Partition	1

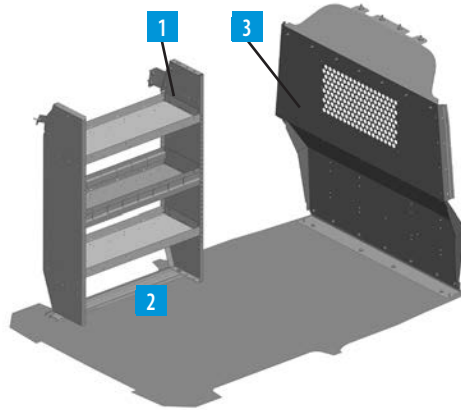


NV200

BASE STARTER PACKAGE

One HD Series Shelf and Steel Partition
(#4961)

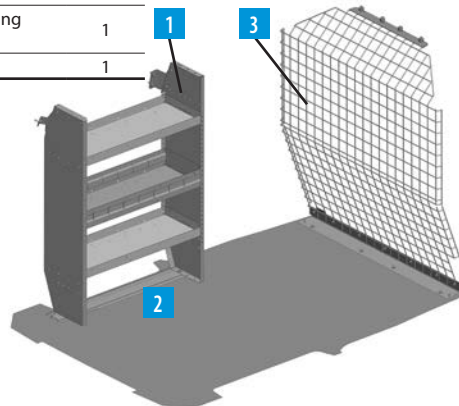
ITEM	MODEL	DESCRIPTION	QTY
1	HD-32NV2	3-Shelf Unit	1
2	RKNV2-SS	Driver Side Mounting Plate Kit	1
3	P2NV2S	Steel Partition w/ Visibility	1



BASE STARTER PACKAGE

One HD Series Shelf and Wire Partition
(#4962)

ITEM	MODEL	DESCRIPTION	QTY
1	HD-32NV2	3-Shelf Unit	1
2	RKNV2-SS	Driver Side Mounting Plate Kit	1
3	P2NV2FW	Wire Partition	1



WIRE PARTITION W/ UTILITY RACK STARTER PACKAGE

ITEM	MODEL	DESCRIPTION	QTY
1	2B6CW	2-Bar Utility Rack	1
2	NV200MBK4W	Utility Rack Mounting Kit, 4-Pack	1
3	P2NV2FW	Wire Partition	1

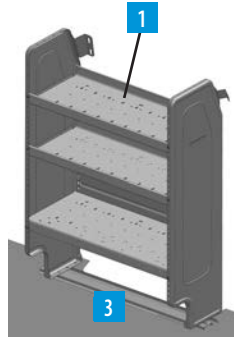
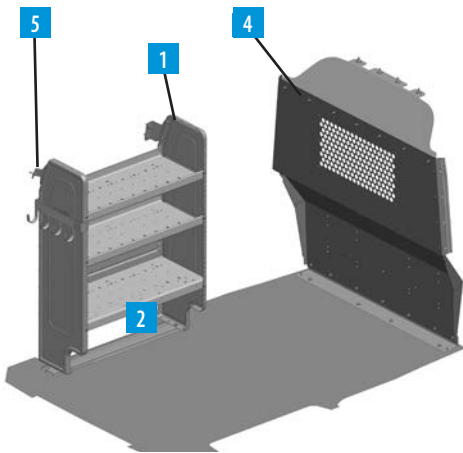


* Nissan Commercial Incentive Program provided by Nissan North America, Inc. for eligible NV200 Compact Cargo vans.
 * Program available only through Nissan Business Certified Dealers in the United States.

DUAL SHELF STARTER PACKAGE

Includes two 32" ADseries Shelves
 (#4964)

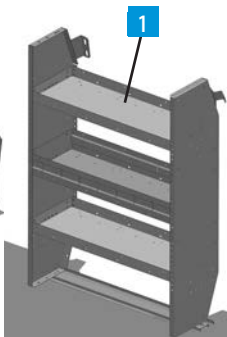
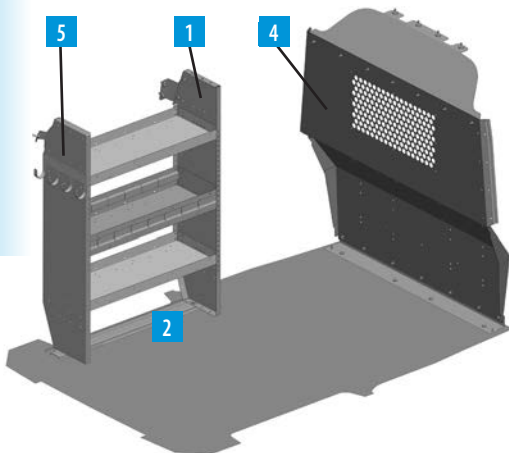
ITEM	MODEL	DESCRIPTION	QTY
1	AD32FP	Adjustable 3-Shelf Unit	2
2	RKNV2-SS	Driver Side Mounting Plate Kit	1
3	RKNV2-CS	Passenger Side Mounting Plate Kit	1
4	P2NV2S	Steel Partition w/ Visibility	1
5	TA1WAD	Hook Bar	1



DUAL SHELF STARTER PACKAGE

Includes two 32" HD Series Shelves

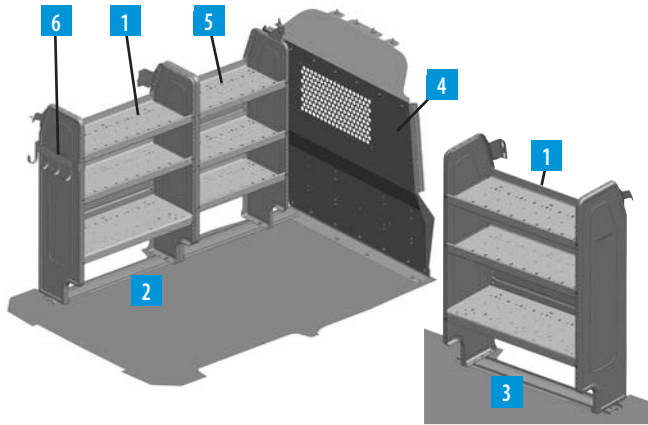
ITEM	MODEL	DESCRIPTION	QTY
1	HD-32NV2	3-Shelf Unit	2
2	RKNV2-SS	Driver Side Mounting Plate Kit	1
3	RKNV2-CS	Passenger Side Mounting Plate Kit	1
4	P2NV2S	Steel Partition w/ Visibility	1
5	TA1	Hook Bar	1



NV200

TRIPLE SHELF STARTER PACKAGE

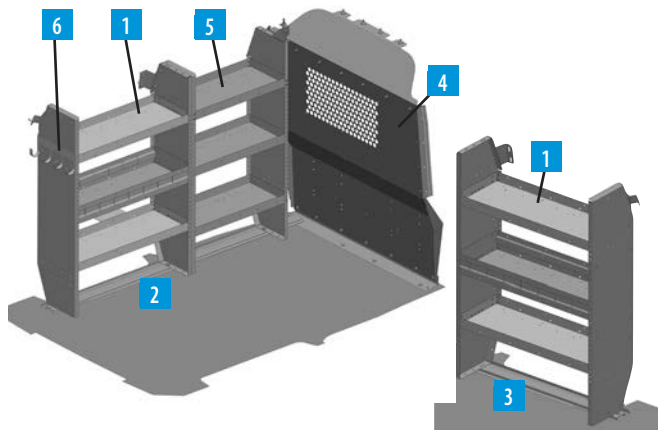
Includes two 32" & one 28" ADseries Shelves (#4966)



ITEM	MODEL	DESCRIPTION	QTY
1	AD32FP	Adjustable 3-Shelf Unit	2
2	RK67NV2-SS	Driver Side Mounting Rail Kit	1
3	RKNV2-CS	Passenger Side Mounting Plate Kit	1
4	P2NV2S	Steel Partition w/ Visibility	1
5	AD28NV2	Adjustable 3-Shelf Unit	1
6	TA1WAD	4-Hook Bar w/ Adapter	1

TRIPLE SHELF STARTER PACKAGE

Includes two 32" & one 28" HD Series Shelves



ITEM	MODEL	DESCRIPTION	QTY
1	HD-32NV2	3-Shelf Unit	2
2	RK67NV2-SS	Driver Side Mounting Rail Kit	1
3	RKNV2-CS	Passenger Side Mounting Plate Kit	1
4	P2NV2S	Steel Partition w/ Visibility	1
5	HD-28NV2	3-Shelf Unit	1
6	TA1	4-Hook Bar	1

LADDER RACK & PARTITION STARTER PACKAGE

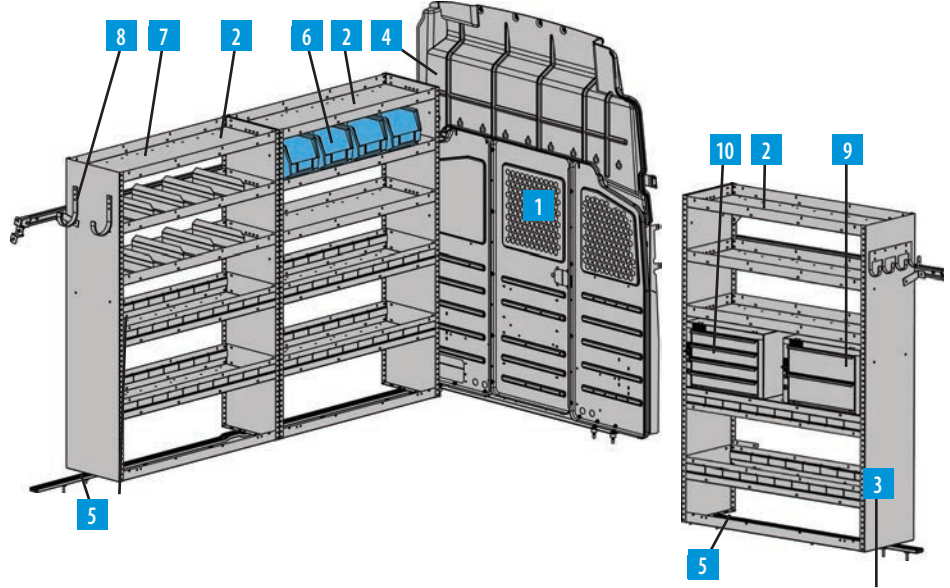
ITEM	MODEL	DESCRIPTION	QTY
1	63-NV2	Double Grip Lock Ladder Rack	1
2	P2NV2S	Steel Partition w/ Visibility	1



* Nissan Commercial Incentive Program provided by Nissan North America, Inc. for eligible NV Cargo vans.
 * Program available only through Nissan Business Certified Dealers in the United States.

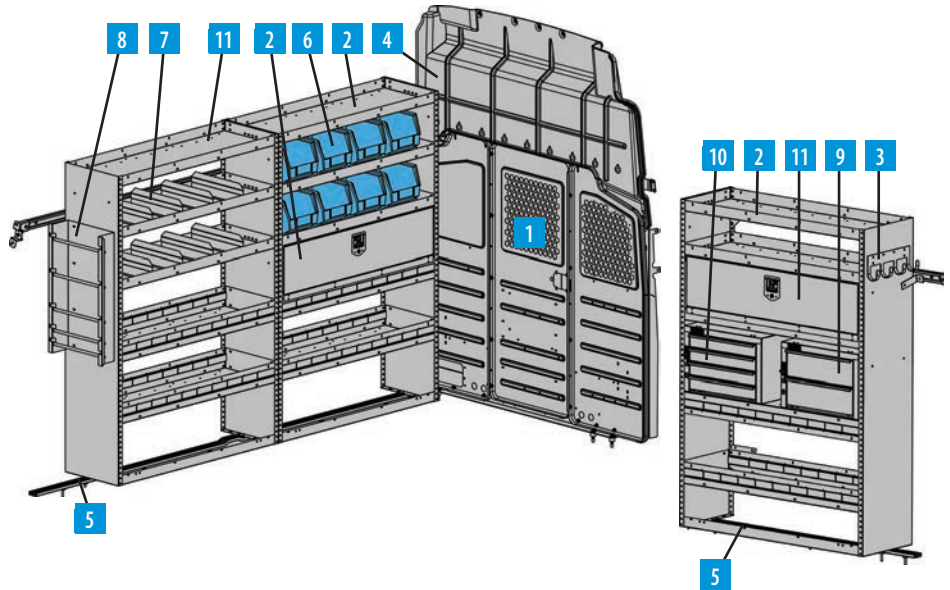
5075NH GENERAL SERVICE PACKAGE NV Cargo High Roof

ITEM	MODEL	DESCRIPTION	QTY
1	S1M2C2FSV	Steel Partition Panel Kit w/ Visibility	1
2	HD42NVH	5-Shelf Unit	3
3	TA1	4-Hook Bar	1
4	WKC1LCVH	Steel Partition Mounting Kit	1
5	RKLCV	Mounting Rail Kit	1
6	28	Parts Bin	4
7	DV14	Shelf Divider	8
8	UH50	Utility Hook	2
9	19	2-Drawer Unit w/ Lock	1
10	9	4-Drawer Unit w/ Lock	1



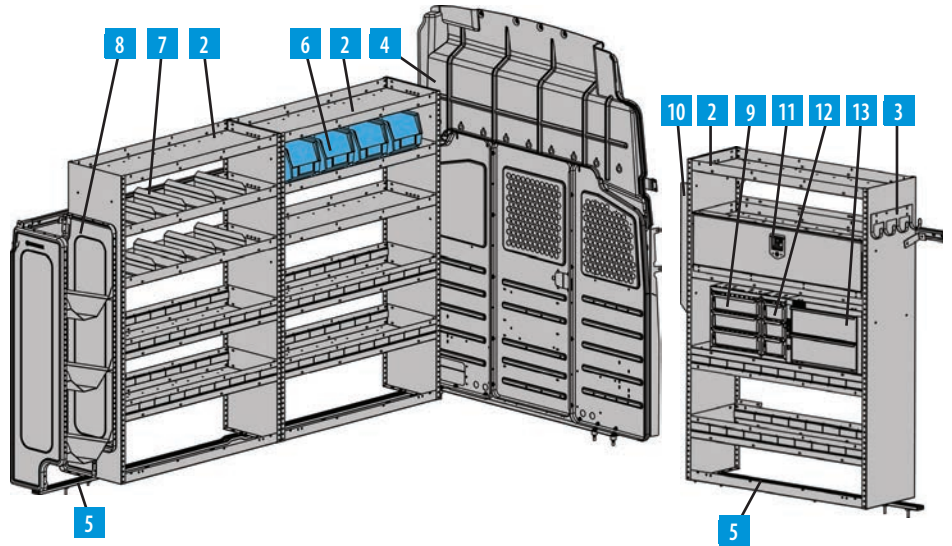
ELECTRICAL STARTER PACKAGE NV Cargo High Roof

ITEM	MODEL	DESCRIPTION	QTY
1	S1M2C2FSV	Steel Partition Panel Kit w/ Visibility	1
2	HD42NVH	5-Shelf Unit	3
3	TA1	4-Hook Bar	1
4	WKC1LCVH	Steel Partition Mounting Kit	1
5	RKLCV	Mounting Rail Kit	1
6	28	Parts Bin	8
7	DV14	Shelf Divider	8
8	WRH5	5-Bar Spool Holder	1
9	19	2-Drawer Unit w/ Lock	1
10	9	4-Drawer Unit w/ Lock	1
11	DK542	Door Kit w/ Back Panelw/ Back Panel	2



HVAC STARTER PACKAGE
NV Cargo High Roof

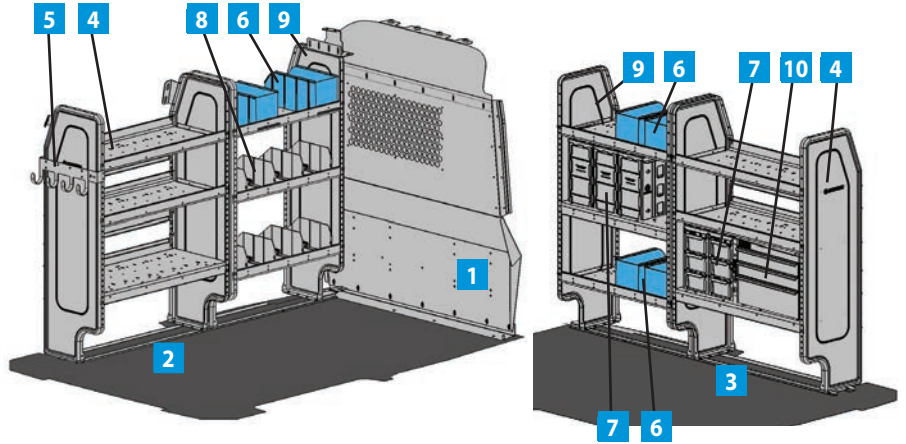
ITEM	MODEL	DESCRIPTION	QTY
1	S1M2C2FSV	Steel Partition Panel Kit w/ Visibility	1
2	HD42NVH	5-Shelf Unit	3
3	TA1	4- Hook Bar	1
4	WKC1LCVH	Steel Partition Mounting Kit	1
5	RKLCV	Mounting Rail Kit	1
6	28	Parts Bin	4
7	DV14	Shelf Divider	8
8	TH51FP	3-Shelf Tank Rack	1
9	DC12	3-Drawer Unit	1
10	CB5	5-Slot Literature Rack	1
11	DK542	Door Kit w/ Back Panel	1
12	DC6	3-Drawer Unit	1
13	19	2-Drawer Unit w/ Lock	1



NV CARGO

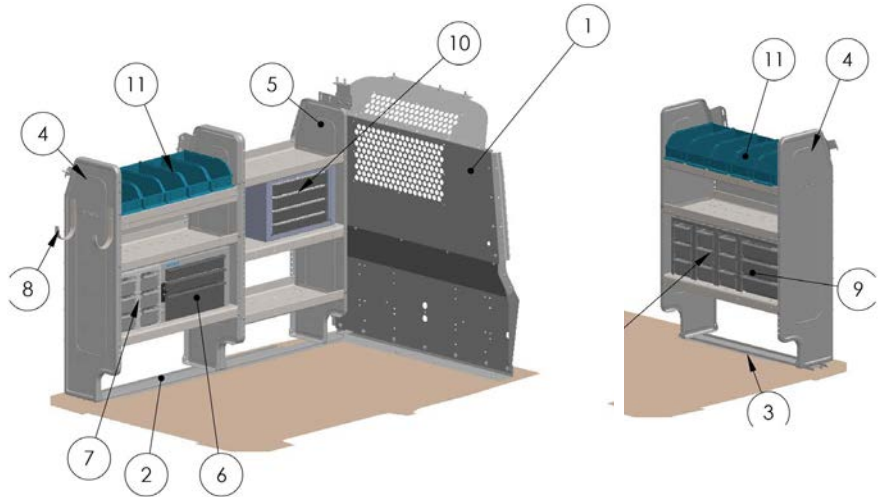
**GENERAL SERVICE STARTER PACKAGE
NV200 Compact Cargo**

ITEM	MODEL	DESCRIPTION	QTY
1	P2NV2S	Steel Partition w/ Visibility	1
2	RK67NV2-SS	Driver Side Mounting Rail Kit	1
3	RK67NV2-CS	Passenger Side Mounting Rail Kit	1
4	AD32FP	Adjustable 3-Shelf Unit	2
5	TA1WAD	4-Hook Bar w/ Adapter	1
6	SBIN060614	Snap In Bin	6
7	DC6	3-Drawer Unit	5
8	DV14C8	14" Shelf Dividers	1
9	AD28NV2	Adjustable 3-Shelf Unit	2
10	919	3-Drawer Unit w/ Lock	1



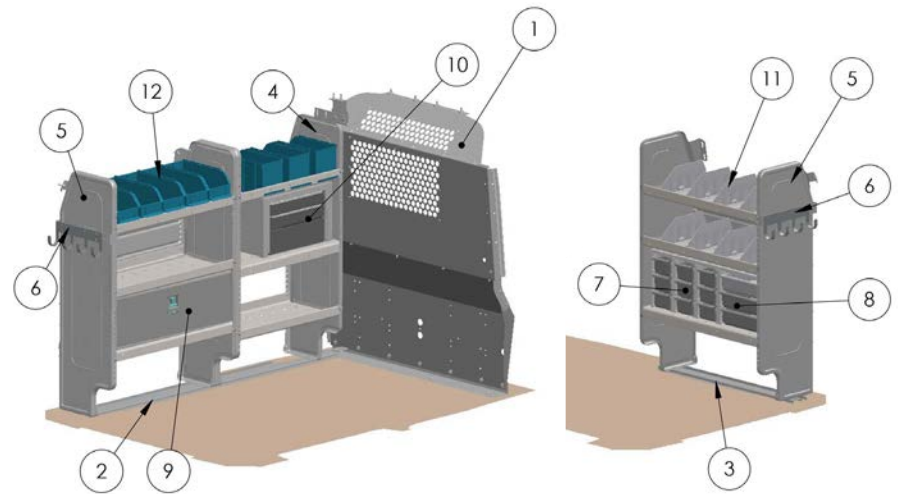
**5096
PLUMBING STARTER PACKAGE
NV200**

ITEM	MODEL	DESCRIPTION	QTY
1	P2NV2S	Steel Partition w/ Visibility	1
2	RK67NV2-SS	Driver Side Mounting Rail Kit	1
3	RKNV2-CS	Passenger Side Mounting Plate Kit	1
4	AD32FP	Adjustable 3-Shelf Unit	2
5	AD28NV2	Adjustable 3-Shelf Unit	1
6	919	3-Drawer Unit w/ Lock	1
7	DC6	3-Drawer Unit	5
8	UH50	Utility Hook	2
9	DC12	3-Drawer Unit	1
10	9	4-Drawer Unit w/ Lock	1
11	SBIN060614	Snap In Bin	10



**5099
ELECTRICAL STARTER PACKAGE
NV200**

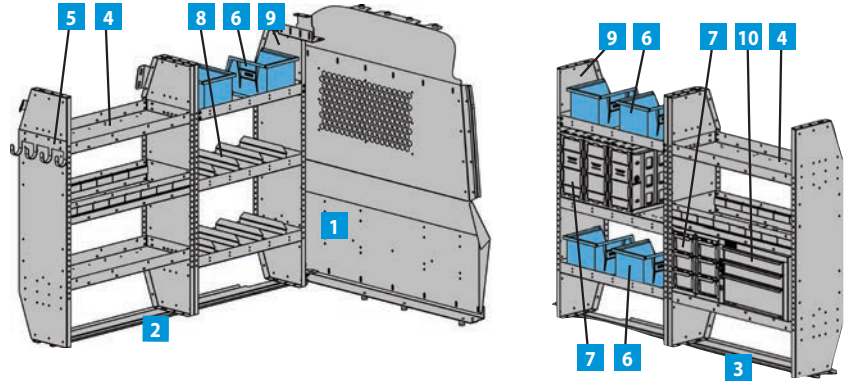
ITEM	MODEL	DESCRIPTION	QTY
1	P2NV2S	Steel Partition w/ Visibility	1
2	RK67NV2-SS	Driver Side Mounting Rail Kit	1
3	RKNV2-CS	Passenger Side Mounting Rail Kit	1
4	AD28NV2	Adjustable 3-Shelf Unit	1
5	AD32FP	Adjustable 3-Shelf Unit	2
6	TA1WAD	4-Hook Bar w/ End Panel Adapter	2
7	DC6	3-Drawer Unit	3
8	DC12	3-Drawer Unit	1
9	DK532	Door Kit w/ Back Panel	1
10	919	3-Drawer Unit w/ Lock	1
11	DV14C8	Shelf Divider Kit	1
12	SBIN060614	Snap In Bin	8



NV200

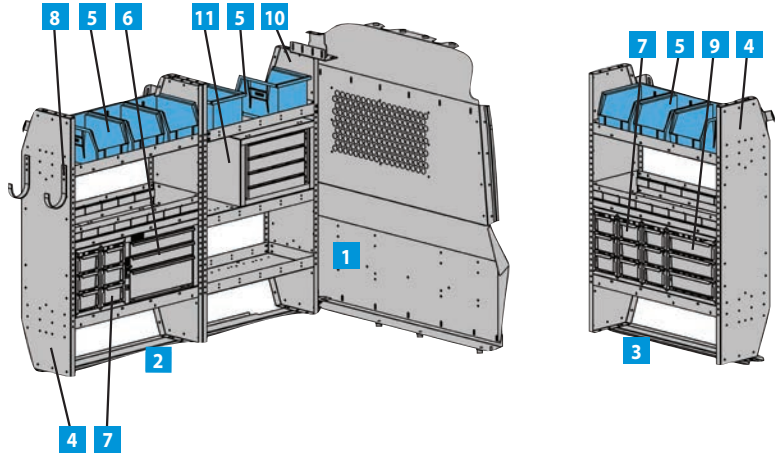
GENERAL SERVICE STARTER PACKAGE
NV200 Compact Cargo

ITEM	MODEL	DESCRIPTION	QTY
1	P2NV2S	Steel Partition w/ Visibility	1
2	RK67NV2-SS	Driver Side Mounting Rail Kit	1
3	RK67NV2-CS	Passenger Side Mounting Rail Kit	1
4	HD-32NV2	3-Shelf Unit	2
5	TA1	4-Hook Bar	1
6	28	Parts Bin	6
7	DC6	3-Drawer Unit	5
8	DV12	Shelf Divider	8
9	HD-28NV2	3-Shelf Unit	2
10	919	3-Drawer Unit w/ Lock	1



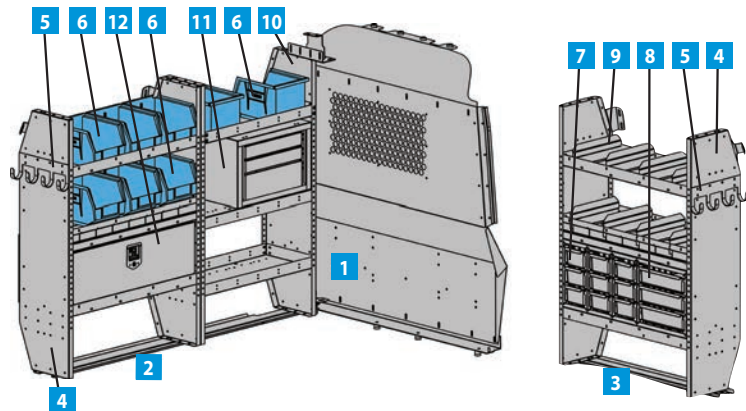
5080 PLUMBING STARTER PACKAGE
NV200 Compact Cargo

ITEM	MODEL	DESCRIPTION	QTY
1	P2NV2S	Steel Partition w/ Visibility	1
2	RK67NV2-SS	Driver Side Mounting Rail Kit	1
3	RKNV2-CS	Passenger Side Mounting Plate Kit	1
4	HD-32NV2	3-Shelf Unit	2
5	28	Parts Bin	8
6	919	3-Drawer Unit w/ Lock	1
7	DC6	3-Drawer Unit	5
8	UH50	Utility Hook	2
9	DC12	3-Drawer Unit	1
10	HD-28NV2	3-Shelf Unit	1
11	9	4-Drawer Unit w/ Lock	1



ELECTRICAL STARTER PACKAGE
NV200 Compact Cargo

ITEM	MODEL	DESCRIPTION	QTY
1	P2NV2S	Steel Partition w/ Visibility	1
2	RK67NV2-SS	Driver Side Mounting Rail Kit	1
3	RKNV2-CS	Passenger Side Mounting Plate Kit	1
4	HD-32NV2	3-Shelf Unit	2
5	TA1	4-Hook Bar	2
6	28	Parts Bin	8
7	DC6	3-Drawer Unit	3
8	DC12	3-Drawer Unit	1
9	DV12	Shelf Divider	8
10	HD-28NV2	3-Shelf Unit	1
11	919	3-Drawer Unit w/ Lock	1
12	DK532	Door Kit	1



NEW COMPOSITE PARTITION FOR NISSAN LOW & HIGH ROOF

Your Nissan NV Cargo mobile office is now more comfortable with an Adrian Steel composite partition. Sound deadening reduces driver distractions. Climate control reduces vehicle idle time for warm up and cool down. Generous leg room for less stress behind the wheel. The integrated steel frame provides the same level of performance that you are accustomed to from Adrian Steel.

Low Roof

PARNL - Composite Partition w/ Visibility

PARNL-NW - Composite Partition

High Roof

PARNH - Composite Partition w/ Visibility

PARNL-NW - Composite Partition



- *Better Climate Control (than perforated partitions.)*
- *Add hooks along the integrated AD rail.*
- *Reduces noise from the cargo area.*
- *Mounting location by the door for a fire extinguisher (not included.)*
- *Available with or without a clear poly rear-view window.*



NEW COMPOSITE PARTITION FOR NISSAN NV200

Your NV200 mobile office is now more comfortable with an Adrian Steel composite partition. Sound deadening reduces driver distractions. Climate control reduces vehicle idle time for warm up and cool down. Generous leg room for less stress behind the wheel. The integrated steel frame provides the same level of performance that you are accustomed to from Adrian Steel.

PARNV2 - Composite Partition w/ Visibility

PARNV2-NW - Composite Partition



- Better Climate Control (than perforated partitions.)
- Reduces noise from the cargo area.
- Available with or without a clear poly rear-view window.
- Add hooks along the integrated AD rail.
- Mounting location by the door for a fire extinguisher (not included.)

ADRIAN STEEL PARTITIONS KEEP CARGO WHERE IT BELONGS, IN THE CARGO AREA!

Stamped steel partitions are available for both Nissan NV Cargo Standard and High Roof vans. The perforated panels allow for side and rear visibility, while increasing cab area climate control. Max Comfort Wing Kits allow for 3 inches of additional front seat adjustability for more cab and leg room. Partition accessories can be attached for easy reach.



Shown: S1M2C2FSV Steel Partition Panel Kit w/ Visibility WKC1LCVH Steel Partition Mounting Kit.

S1 Solid

Panels mount behind driver seat.

**M1 Solid
M2 Perforated Top**

Fixed center panels can be hinged as key-locking doors

C1 Solid

Panels mount behind passenger seat

Max Comfort Wing Kit

Partition setback allows for 3" of additional front seat adjustability for more cab and leg room. (Reduces cargo space by 3".)

S-M-C SERIES PARTITIONS

- Choose from solid or perforated panels.
- Partition mounts behind the B-pillar allowing for maximum cab comfort.
- Center M panels can be fixed or hinged with a key-locking door. All hinged door partitions come standard with two 6" hinges, bulb seal and a slam latch. These features reduce vibration noise.
- Partitions feature pre-drilled holes for adding accessories easily, and larger pass-through holes for routing wiring.
- Stamped steel panels reduce product weight without sacrificing strength.

Note: Extended wing kits reduce the amount of cargo space. Please confirm the interior layout of the van package to confirm that the extended wing kit has adequate room needed for installation.



Shown: S1M2C2FSV Steel Partition Panel Kit w/ Visibility WKC1LCVS Steel Partition Mounting Kit.

PARTITION PANEL KIT PART NUMBER	
FIXED CENTER PANEL	
SOLID PANELS	S1M1C1FSV
PERF. CENTER & CURB PANELS	S1M2C2FSV
HINGED CENTER PANEL "DOOR"	
SOLID PANELS	S1M1HC1FSV
PERF. CENTER & CURB PANELS	S1M2HC2FSV
STEEL PARTITION MOUNTING KIT	
STANDARD ROOF	WKC1LCVS - MAX CARGO
	WKC1LCVS3 - MAX COMFORT
HIGH ROOF	WKC1LCVH - MAX CARGO
	WKC1LCVH3 - MAX COMFORT

NV CARGO

STEEL AND WIRE PARTITION OPTIONS FOR THE NEW NV200 COMPACT CARGO

Whether you are looking for climate control or maximum visibility, Adrian steel offers two partition options for the new NV200 Compact Cargo van. Both options securely separate the cab from the cargo area.



Best choice for climate control and noise reduction!



P2NV2S Steel Partition w/ Visibility

- Features all steel panels to safeguard the cab area against moving or shifting cargo.
- Recessed design allows for maximum adjustability of front seats.
- Perforated window provides full visibility of your cargo area and rear windows.
- Steel header and full perimeter wings provide optimal security.
- Recessed bottom panel provides room for a 6 foot step ladder or other accessories.

Note: Wing kits are not needed.



P2NV2FW Wire Partition

- Provides maximum visibility while safeguarding your van cab area against moving, shifting cargo.
- Recessed design allows for maximum adjustability of your driver and passenger seats.
- Lightweight and economical, without sacrificing safety and security.



EXCLUSIVELY FROM ADRIAN STEEL: A SHELVING PLATFORM THAT ALLOWS YOU TO PUT SHELVES WHERE YOU WANT THEM, NOT WHERE WE THINK YOU NEED THEM!

ADseries is the next generation of cargo management solutions, engineered to optimize your work van storage and accessibility. Featuring truly ADjustable shelves, an ADaptable rail system, heavy-duty shelves and an ADvanced stamped steel end panel designed to accommodate the diverse range of cargo you need to get the job done. ADseries is ADrian made and backed by our industry-leading 3 year/36,000 mile warranty.

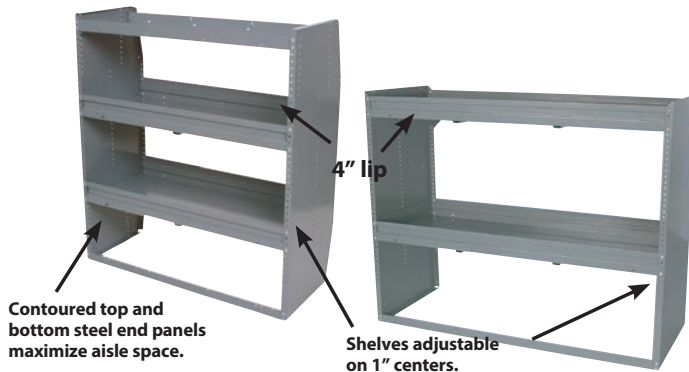


**ALSO AVAILABLE:
60 SERIES SHELVING FOR THE NV
CARGO HIGH ROOF**



The HD (heavy-duty) Series
Utilize the height of your high roof NV Cargo with heavy-duty adjustable shelving. Features five adjustable shelves. Shelf gussets, end panel braces and full floor-rail provide extra strength.

MODEL	OVERALL SIZE
HD42NVH	42" x 60" x 14"
HD52NVH	52" x 60" x 14"



JD SERIES JUMBO DEEP SHELVING

- Available in 18" and 24" depths.
 - Shelf gussets and floor rail provide extra strength.
 - 18" deep units contain one 14" and two 18" deep shelves.
 - 24" deep units have squared end panels and two shelves.
- See chart.

MODEL	OVERALL SIZE	OPEN SHELF SPACE
JD42FP	42"W x 46"H x 18"D	14.58 sq ft
JD52FP	52"W x 46"H x 18"D	18.56 sq ft
JD48FP	48"W x 48"H x 24"D	20.21 sq ft
JD60FP	60"W x 48"H x 24"D	20 sq ft

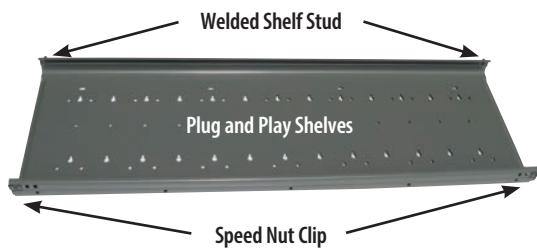
ADVANCED DESIGN

Stamped steel end panels and shelves, ADseries components are strong, durable and ready to work hard. 6" knock out provides a 48" floor space to accommodate 4'x 8' sheet goods (up to 22 sheets of 1/4" drywall or a combination of thicknesses).

Nissan NV Cargo end panels provide 38.75" between the panels from the top to bottom maximizing aisle space.

ADJUSTABLE SHELVES

Tools, equipment and cargo come in all shapes and sizes and until now, there hasn't been a shelving unit that is truly adjustable. The ADseries is the first of it's kind where, with only a screwdriver, you can simply remove the front shelf bolts and move the shelf where you need it. Shelves can be adjusted in one inch increments and provide the most flexible shelving solution available.



ADAPTABLE INTERIOR

Everyone likes to set their work van up their own way. The new ADseries shelving lets you position the shelving where you need it. Exclusive to the ADseries, the unique rail system enables you to reposition the shelving in the van, increasing the available space for trade specific equipment. All of this is done without removing bolts, plugging holes and redrilling the van!

ADD ACCESSORIES

Businesses change over time and your van interior should be able to change with your needs. Plug and Play shelves have prepunched holes that allow adding storage solutions easily! ADseries dividers simply snap in place, drawer units simply bolt in and door kits can be added to lock your more valuable parts and equipment. Many Adrian Steel accessories can be added to the ADseries shelving with the rail adapter kits and end panel brackets.

ADSERIES SHELF UNITS AND RAIL KITS

MODEL	SIZE	DESCRIPTION
AD26LCV	26"W x 50"H x 14"D	fits Nissan NV Cargo
AD28NV2	28"W x 46"H x 14"D	fits NV200 Compact Cargo
AD32FP	32"W x 46"H x 14"D	fits NV200 Compact Cargo
AD44LCV	44"W x 50"H x 14"D	fits Nissan NV Cargo
RKLCV	Mounting Rail Kit	fits Nissan NV Cargo
RK67NV2-CS	Passenger Side Mounting Rail Kit	fits NV200
RK67NV2-SS	Driver Side Mounting Rail Kit	fits NV200
RKNV2-CS	Passenger Side Mounting Rail Kit	fits NV200
RKNV2-SS	Driver Side Mounting Rail Kit	fits NV200



Truly Adjustable Shelves All you need is a phillips screwdriver! Simply remove two bolts from the speed nut clips that come with the shelf, tilt the shelf upwards, move the shelf to your desired location, insert the rear shelf studs, reattach the bolts and you're done!

Rear Shelf Studs unique design lock shelves in place!



ADSERIES ACCESSORIES

MODEL	SIZE/DESCRIPTION
DV14C1	Shelf Divider
DV14C8	14" Shelf Dividers
DK3010	Door Kit
DK4208	Door Kit w/ Open Back
DK4210	Door Kit w/ Open Back
DK4810	Door Kit
BRK14EPS	End Panel Mounting Bracket
RKA1	Rail Kit Adapter/See list at right
RKA3	Rail Kit Adapter3/See list at right
RKA4	Rail Kit Adapter4/See list at right
RKAWTR	Welded Tank Rack Rail Adapter
RKA919	Drawer Riser Kit
35325-G	32" Long Shelf
35327-G	44" Long Shelf
35328-G	50" Long Shelf

RKA3 – Rail Adapter Kit 3
Use with: #1, #12, #2, #8, DC Units, 17A, TA19, TA5

RKA4 – Rail Adapter Kit 4
Use with: CL1446R, #40, KD Shelving Units, #33W, JD Shelving

BRK14EPS – End Panel Mounting Bracket.
Use with: 17A, CB5, 43, TA19, WRH5, UH10/50, PA9, PA8, ACT3/4, PA7, TH30, TH50, TA5

Note: Rails are not included with the shelf units. Rail kits must be ordered separately

Note: Shelves have the following weight rating:

Shelves positioned with the shelf lips facing up have a rating of 100lbs per shelf evenly distributed.

Shelves positioned with the shelf lips facing down have a rating of 200lbs per shelf evenly distributed.

SPECIFIC JOBS DEMAND SPECIFIC STORAGE SOLUTIONS.

Cabinet and Drawer Modules provide secure storage for large and small tools and parts. The modular design allows you to get what you need now and the ability to add more when you need it. Whatever the job demands, Adrian has the storage solutions to transport your gear safely and securely.



Vented gas storage solutions

TANK CABINETS

- Provide vented storage for Propane, Mapp gas or CO2 tanks.
- Cabinets feature a full door gasket with two snap latches for positive door closure.
- Interior cabinet cradle and retaining straps (foam yokes for TA19) secure tanks and prevent movement.
- Floor vent and tubing are included for exhausting fumes.
- Propane cabinets store 20, 30 or 40 lb. tanks.
- Mapp Gas Cabinets store 6 1/2" diameter tanks.
- CO2 Tank Cabinets store 20 lb. cylinders.

MODEL	DESCRIPTION	CABINET SIZE
TA19	Compressed Gas Tank Cabinet	13"W x 32"H x 12-1/2"D



Folding T handles don't stick out into aisles.

SHELF CABINETS

- Available in 12" and 18" front to rear lengths
- Can be used free standing or stacked with our lockable drawer units.
- Feature locking recessed tee-handles for secure storage and receive a durable gray powder coat finish.
- Cabinets feature an open side and can be combined for side-by-side use holding items up to 35" long.
- Optional end panel can be added to close off side when required.
- Include an adjustable shelf that can be removed
- Cabinets provide a solid surface to stack modular drawers, cabinets and bins.

MODEL	DESCRIPTION	CABINET SIZE
1	Adjustable Single Shelf Cabinet w/Lock	18"W x 22"H x 18"L
12	Adjustable Single Shelf Cabinet w/Lock	18"W x 22"H x 12"L
1A	Cabinet Shelf	No. 1
12A	Cabinet End Panel	No.12



CL1446R

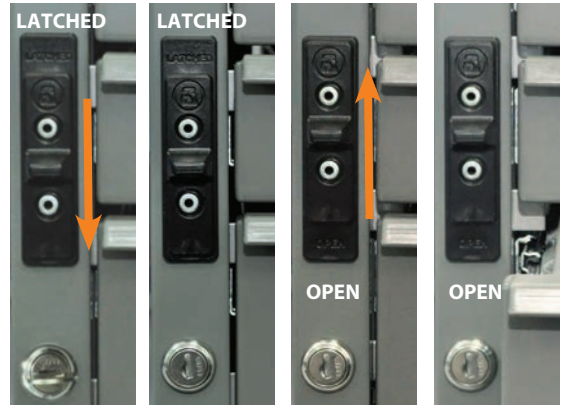
CABINET LOCKERS

- Full-door Lockers feature a 46" high storage space with 3 removable shelves.
- Short-door Lockers feature a 33" high storage area and with 2 removable shelves.
- Locker doors are reversible for flexibility and feature locked recessed T-handles for security.
- Cabinet Lockers taper from 14" to 12" from front to back in depth at top and bottom to maximize aisle space.

MODEL	DESCRIPTION	CABINET SIZE
CL1446R	Adjustable 3-Shelf Cabinet w/ Lock	18"W x 46"H x 14"D



2.5" deep drawers come with ABS divided and removable trays perfect for small parts.



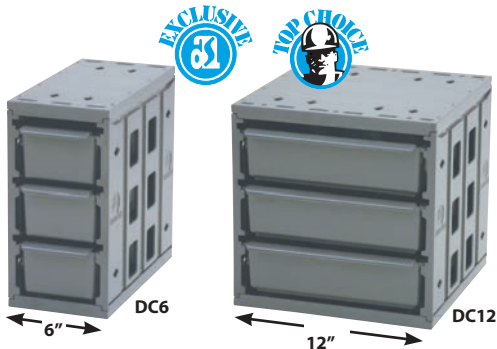
Latched & Locked Latched & Unlocked Drawers Unlatched Drawers Open

DRAWER UNITS – LOCK 'N LATCH SYSTEM

- Our exclusive Lock 'n Latch system provides a choice of drawers open, drawers retained or drawers locked position.
- Drawers are made of an engineered composite material for durability with heavy-duty drawer glides for support and smoother drawer operation.
- The new drawer glides significantly increase the ease of use when opening and closing the drawer units. They all but eliminate the rattle noise of the drawers when the driving the vehicle.
- Drawers and glides can be repositioned within cabinet for increased flexibility.
- Divide 5" deep drawers into compartments using optional metal "egg crate" dividers.

MODEL	DESCRIPTION	DRAWER SIZE (QTY.)
19	2-Drawer Unit w/ Lock	16"W x 5"D x 11-1/2"L (2)
919	3-Drawer Unit w/ Lock	16"W x 2-1/2"D x 11-1/2"L (2) 16"W x 5"D x 11-1/2"L (1)
9	4-Drawer Unit w/ Lock	16"W x 2-1/2"D x 11-1/2"L (4)
27	Drawer Divider Assembly	19 or 919 Drawer (1)

Steel outer cabinet measures 18"W x 12"H x 12"L.



DRAWER COMPONENTS

- Organize small parts with our flexible and rugged composite Drawer Components.
- Drawer retention stops prevent drawers from opening while the vehicle is in transit.
- Made of a hi-impact polymer for a quiet operation.
- Each drawer comes with 2 dividers and 7 divider slots.
- Interlocking feature allows up to 2 units stacked vertically or multiple units horizontally.
- Choose from Adrian Steel's pre-configured drawer systems or create your own drawer system from the base models.

MODEL	DESCRIPTION	OVERALL SIZE
DC6	3-Drawer Unit	6"W x 12"H x 12"D
DC12	3-Drawer Unit	12"W x 12"H x 12"D

5lb. weight capacity per drawer.



#2 Cabinet Size
18"W x 24"H x 18"L

#8 Cabinet Size
18"W x 18"H x 12"L

DRAWER UNITS – LOCKING HINGE AND HASP

- Drawers are welded and have reinforced drawer slides for strength.
- Can be locked with a padlock (not included) for security.
- Divide drawers with optional metal "egg crate" dividers.

MODEL	DESCRIPTION	DRAWER SIZE (QTY.)
8	3-Drawer Unit	16"W x 5"D x 11-1/2"L (3)
2	4-Drawer Unit	16"W x 5"D x 17-1/2"L (4)

BE MORE EFFICIENT WITH INVENTORY THAT IS READY TO GO WHEN AND WHERE YOU ARE.

Versatile, lightweight, durable, convenient and mobile - these **Portable Parts Cases** are perfect for the tech who needs to carry small parts and inventory to the jobsite.

The impact resistant body can be organized with the included adjustable dividers. The see-through lids with snap latches make identifying contents easy.

- PPCS** 14" x 14" x 3.75"
- PPCL** 14" x 14" x 6.25"



CH-EP
15.5" x 11.25" x 37.5"
* FIRST AID KIT NOT INCLUDED



CHPPC5SM
16.5" x 14" x 35"



Add a single **CH1514SGL 15" x 14" x 12"** or double **CH-1514DBL 15" x 14" x 12"** **Case Holder** to an existing shelf to house included cases that stay put while in transport.

INCORPORATE THE PORTABLE PARTS CASES INTO YOUR VAN WITH THE STORAGE OPTION THAT FITS YOUR NEED.

Three different **Case Holder** options give you the ability to house multiple Portable Parts Cases near the vehicle door for easy access to grab-and-go. The **CH-EP** and **CHPPC5SM** include a tray that holds an optional first aid kit and feature slanted shelves.

The **CHPPC4S** includes four PPCS cases and each shelf has a retaining lip to keep cases in place.



CHPPC4S
14 3/8" x 14 3/8" x 18"

ADRIAN'S BLUE BIN SYSTEM IS PERFECT FOR VISUAL INVENTORY MANAGEMENT.

- 6" and 12" bins maximize the ADseries shelf space.
- The bins can nest on top of each other when at the job site or in the warehouse getting filled to go.
- Add a label to the front so you can find parts quickly
- Each bin can accommodate one optional divider.

MODEL	DESCRIPTION
SBIN060614	Snap In Bin
SBIN120614	Snap In Bin
SBINDIV	Snap In Bin Divider



REFRIGERANT TANK HOLDER



3-Shelf Tank Rack TH51FP

Accommodates a combination of any three 30 or 50 lb tanks.

Straps secure tanks for safe transportation.

Fits NV Cargo



1: CB5 5-Slot Literature Rack Mount on partition or other vertical surface. 2-1/2" deep pockets. Overall size: 12"W, 24"H, 2-1/2"D.

2: CB7 7-Slot Literature Rack Mount on partition or other vertical surface. 6-3/4" deep pockets. Overall size: 14-3/4"W, 28-7/8"H, 7"D.

3: 43 3-Shelf Literature Rack Fits in narrow spaces. It has three tilted shelves. Perfect for binders and catalogs. Overall size: 6" W, 34" H, 12" D.

4: BH4 4-Slot Literature Rack Designed to mount on partition or almost any vertical surface. Excellent for binders. Each pocket is 2 1/2" deep. Overall size: 12-3/4" W, 19-1/2" H, 2-1/2" D.



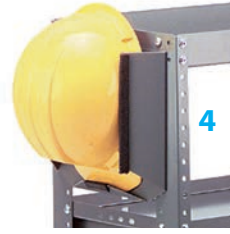
1



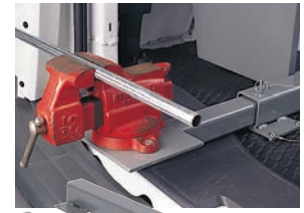
2



3



4



5



6



Storage for small parts 7



8



9

1: DST21 Door Storage Tray offers convenient access to parts and tools.
Overall size: 20" W, 4" D, 8" H

2: Aerosol Can Tray secure cans for easy access.

ACT3 - 3-Place Aerosol Can Holder

ACT4 - 4-Place Aerosol Can Holder

3: 14 Step Stool has a wide base and is 12" high. Stool can be used with a workbench or as an auxiliary step. Top measures 10" x 20" One size.

4: TA2 Hard Hat Holder secures hat to partition or shelving.

5: VMA36 Vise Mount Assembly is floor mounted and telescopes out beyond side or rear cargo doors when fully opened. Measures 36" closed and 60" open.

6: Touch-Up Paint in spray cans match Steel-Cote™ finish. Three colors:

STP12G - Gray **STP12W** - White **STP12B** - Black

7: Door Tray comes with two dividers and has optional lid for containment.

DT21 - Door Tray Overall size: 18" W, 4" D, 4" H

DTL21 - Door Tray Lid for DT21 only

DTWL21 - Door Tray w/ Latching Lid

8: Hooks organize a variety of cargo in easy-to-access locations.

UH10 - Utility Hook

UH25 - Utility Hook

UH50 - Utility Hook

TA1 - 4-hook bar

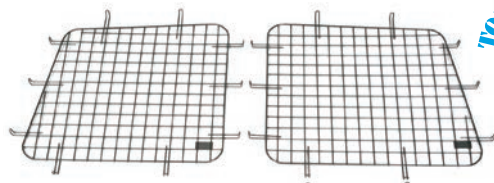
9: Parts Tray features a 2" deep shelf lip. Can be mounted to cabinet and drawer modules for added top storage.

4B - Parts Tray Overall size: 18" W, 12" D, 2" H

REEL HOLDERS



WRH5 5-Bar Spool Holder Five removable bars hold wire spools up to 6" in diameter. Reel Holder mounts to shelf ends or any vertical surface.
Overall size: 12" W, 25" H, 4" D



Wire Window Screens add security to cargo area windows.

60-NRD Rear Doors Security Screen Kit

60-NSDRD Side & Rear Doors Security Screen Kit

60-NV2 Rear Doors Security Screen Kit

60-120 Driver Side Rear Door Security Screen

60-121 Passenger Side Rear Door Security Screen

FINALLY!

A LADDER RACK DESIGNED AROUND YOU... NOT YOUR VEHICLE.

Introducing the All-New Drop-Down Ladder Rack from Adrian Steel!

Nissan Cargo Low Roof



Nissan Cargo High Roof



Technicians that are 5'-4" or taller can easily load and unload the rack without climbing up on anything.

Nissan Cargo Low Roof

- DDL61NVL** - Single, Nissan Cargo Low Roof
- DDL63NVL** - Double, Nissan Cargo Low Roof
- DDL64NVL2** - Combo, Nissan Cargo Low Roof

Accessories

- DDL61SLK2** - Step Ladder Kit
- 69-DDCS** - Passenger Side Ladder Extension Kit, 32ft Ladder
- 69-DDSS** - Driver Side Ladder Extension Kit, 32ft Ladder
- 70-1LR** - PVC Conduit Kit w/ Round End Caps, 4"
- 70-2LR** - PVC Conduit Kit w/ Round End Caps, 6"
- 80-1LR** - Aluminum Conduit Kit, 10'6"
- 80-2LR** - Aluminum Conduit Kit, 12'6"
- 57107** - Wide Step Ladder Kit Add-On

Nissan Cargo High Roof

- DDL61NVH** - Single, Nissan Cargo High Roof
- DDL63NVH** - Double, Nissan Cargo High Roof

Accessories

- DDL61SLKHR** - Step Ladder Kit
- 57107** - Wide Step Ladder Kit Add-On



EXCLUSIVE!

With the turn of a knob, you can quickly adjust the rack to fit a wide variety of ladders.

Our most user friendly ladder rack ever! Featuring the patent pending twist to adjust! The fastest way to adjust your rack to your ladder! The outboard design and two stage drop brings ladder down to an ergonomic load position where operators 5' 4" or taller can safely load and unload the ladder. The aluminum build of the rack reduces corrosion and keeps your ladder rack looking like new. Adrian Steel's Drop-Down Ladder Rack will accommodate a variety of ladders and safely secure them for transport.

We know different jobs require different ladders. The new Drop-Down ladder rack safely transports all different types of ladders. Extension ladders, step ladders and specialty ladders. Standard rack accommodates 28' extension ladder and 10' step ladder – short step ladders will need optional step ladder kit and up to 32' extension ladder with extension ladder kit.

ALL-NEW & COMPLETELY REDESIGNED ALUMINUM GRIP-LOCK RACK

Off-the-Roof, Angled Design Offers a Lower Reach Height than Traditional Grip-Lock Racks.

The innovative "tilt angle" design offers a lower reach height than traditional grip lock racks.



- 61-GLNVL2 - Single Grip Lock Ladder Rack
- 63-GLNVL2 - Double Grip Lock Ladder Rack
- 64-GLNVL2 - Grip Lock Ladder Rack w/ Step ladder Kit
- GLSLKFSV - Step Ladder Kit
- 70-1LR - Conduit Kit w/ Round End Caps, 4"
- 70-2LR - Conduit Kit w/ Round End Caps, 6"
- 80-1LR - Conduit Kit w/ Round End Caps, 10'6"
- 80-2LR - Conduit Kit w/ Round End Caps, 12'6"

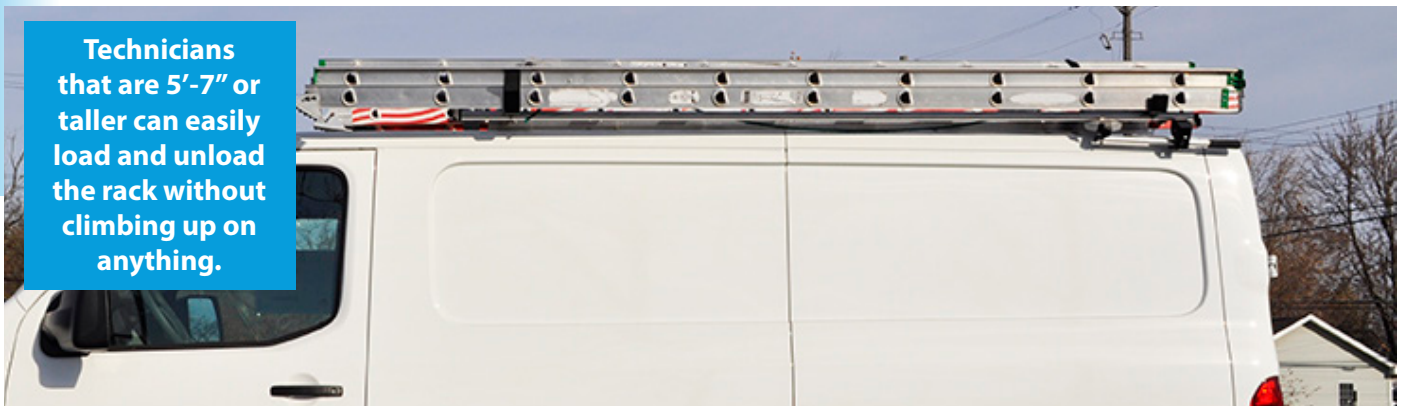
Adrian Steel's completely redesigned grip-lock style ladder rack is designed to make your job easier when loading and unloading your ladders. The innovative "tilt angle" design offers a lower reach height than traditional grip lock style racks. Technicians that are 5'7" or taller can safely load and unload ladders with out having to climb up on something.

The clamping mechanism secures and protects ladders when they are stowed or in transit. A padlock can be added for extra security. The natural aluminum finish reduces corrosion and helps preserve the integrity of the rack.

The all-new Grip-Lock Ladder Rack is an economical option that will look great and perform effortlessly for many years on your van!

NV CARGO

Technicians that are 5'-7" or taller can easily load and unload the rack without climbing up on anything.





INTERIOR LADDER RACKS

OUT OF THE WAY, BUT NEVER OUT OF REACH.

When you transport your ladders within the cargo area of your van, you reduce the wear and tear on the ladder, and on yourself with easy to access and operate ladder storage solutions.



ILR LADDER HOLDER

- The Interior Ladder Rack does not take up, limit, or reduce vertical standing room in your van and it allows quick and easy access to your ladder from outside of your vehicle.
- Eliminate the outside wear and tear on your ladder; protect your ladder from the elements, theft, and road grime.
- Customers will appreciate your use of clean, well taken care of equipment rather than bringing the outside mess into their home.
- Perfect for carrying 4ft and 6ft step ladders. **Works best in medium and high roof vans** and features plastic coated clamps to protect the ladder rungs during transit.



LADDER KEEPER

- Designed to be loaded from outside the vehicle, the Ladder Keeper features a spring-loaded clamp that holds the ladder securely in place.
- Just set the top of the ladder in the front clamp bracket and push it forward until the bottom of the ladder sits in the rear clamp bracket. it allows quick and easy access to your ladder from outside of your vehicle.
- **LKLCV** fits Nissan NV Cargo and can carry up to a 6 ft. ladder.

PROFILE™

HD Utility Rack System

Adrian Steel PROFILE™ HD Utility Rack.

The perfect rack for your business.

Select a pre-configured rack developed for common industry needs or take charge and build your own with our configuration tool.

This new system is low profile, aerodynamic, lightweight & tough. The clean, simplistic and corrosion resistant construction with stainless steel hardware and durable powder-coat finish is built to withstand heavy use and ensure years of dependability.

Mix and match components and accessories give you the flexibility to get the perfect rack for your business in less time and with less hassle.

Designed to adapt to almost any vehicle (truck, trailer and topper mounting coming soon) and the unique modular design can be easily upgraded for specific utility use.

Minimalistic Design.

Sleek, low-profile for great looking integration on any vehicle and was specifically designed and tested to prevent wind noise.

Safe, Secure Loading.

Multiple integrated tie-down points come standard for quick and safe transportation.

Rugged Wear Strip.

Why let loading and unloading take a toll on your gear and rack systems? Our new, extra-thick Wear Strip comes standard to protect equipment and T-slot crossbars, while keeping debris out of the channels.

Industry-Leading Customization.

Profile™ Crossbars have built-in channels for adding Ladder Stops, Rear Roller Assist, Built-In Ratchets, Conduit Kits and additional accessories.

750lb. Load Capacity.

3" x 1.5" Heavy Duty, reinforced extruded aluminum crossbars are tested to support up to 250LBS per crossbar for maximum roof loading capacity.

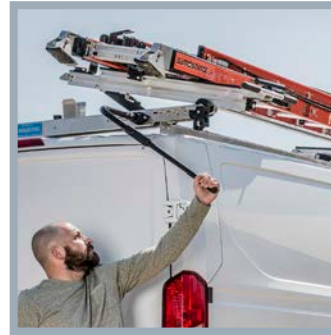
(Always follow OEM roof rating weight standards for safest loading capacity)





ADRIAN STEEL®

Cargo Management Solutions for Commercial Vehicles



QUALITY

- Our products are durable and reliable. Warranty claims are less than 1% of sales.
- Our warranty covers our products for three years or 36,000 miles.

INNOVATIVE PRODUCTS WITH FEATURES THAT MATTER

- Drawers that stay closed while in transit.
- ADseries truly adjustable shelving platform.
- Drop Down and Grip Lock ladder racks that load and unload the safe and right way.
- Interior ladder storage.
- Plug and Play accessories.
- Anti-slam drawer latches, and much more!

COMMITMENT

At Adrian Steel, we are committed to you beyond the upfit!

- A dedicated Customer Care Team at corporate headquarters.
- A network of highly qualified distributors to support you locally.
- Our commitment to provide the best cargo management solutions in North America.



EXPERIENCE

- **Over One Million vans upfitted**, and counting! It's a fact that an organized vehicle increases work flow efficiencies and reduces inventory damages.
- Recognized as a National Truck Equipment Association MVP.

SERVICE

- Adrian Steel Products can be purchased throughout North America at authorized Adrian Steel distributors.
- Adrian Steel Customer Service Representatives are available M-F, 8am - 5pm EST at **1-800-677-2726**.
- E-mail us at info@adriansteel.com with questions, comments and feedback.
- Visit AdrianSteel.com for the most up-to-date product information, distributor locator, product catalogs, videos and more.

adriansteel.com

800-677-2726

906 James St.
Adrian, MI 49221