



## THE NEW INTERNAL VAN LIFT

The latest in liftgate technology, the V2 Series by Tommy Gate provides the maximum platform loading area while occupying the smallest possible space when stored in the rear of the van. The V2 combines sleek modern engineering with hands-free platform open and close, built-in cart retention ramp, and 1100lbs. of lifting capacity.



V2-56-1140 FA49



## V2 SERIES FEATURES

- 1 RETENTION RAMP** Retention ramp easily locks into place to secure wheelbased carts or cargo. Foot or hand activated.
- 2 BRIDGE MOUNT** Aluminum treadplate bridge mounts provide smooth transition for moving cargo to and from lift platform to vehicle bed.
- 3 TWO-FUNCTION CONTROL** Pendant control with raise/lower toggle and secondary platform fold function.
- 4 FLAT-LOADING TAPER** Platform rests flat at ground level, minimizing load angle.



**AVAILABLE MODELS**

TWO-YEAR STANDARD WARRANTY

Model Number	Load Area	Taper	Travel	Applications	Gate Weight
Framed Aluminum Platforms					
V2-56-1140 FA34	47 x 34	9	40	B	420
V2-56-1140 FA49 <sup>1</sup>	47 x 49	9	40	A	500

1100 lb. Capacity

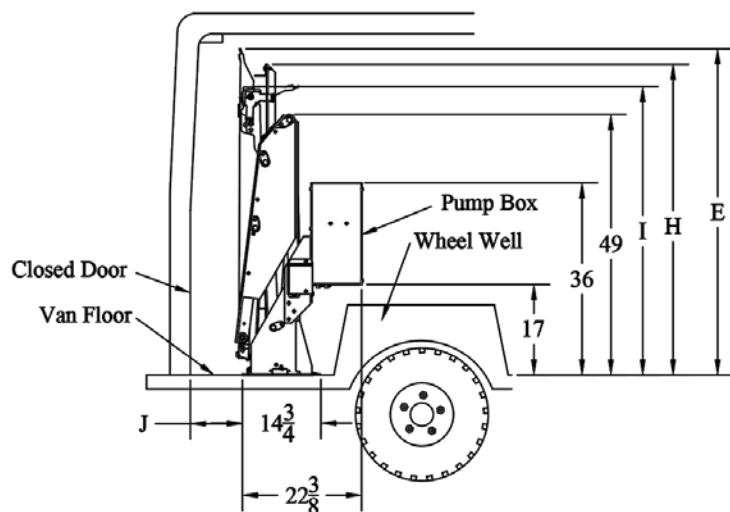
- FA49 Models must have the 9" retention ramp/taper engaged when storing the platform on lower roof van models in order to avoid the ramp from making contact with the van frame. See Application Chart below.

**APPLICATIONS \***

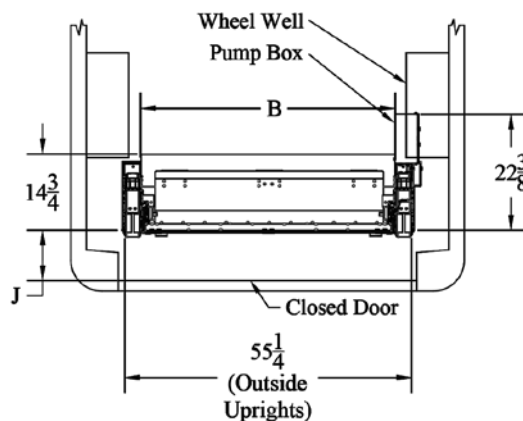
Manufacturer	Model Year	Body Style	Bracket Code	Roof Height		
				Low	Medium	High
Ford	2015 - 2018	TRANSIT®	AF	B	A, B	A, B
Ford	2015 - 2018	TRANSIT® <i>Extended Body</i>	AG	n/a	n/a	A, B
Ram	2015 - 2018	Ram Promaster	AE	A, B	n/a	A, B
Ram	2015 - 2018	Ram Promaster <i>Extended Body</i>	AH	A, B	n/a	A, B
Sprinter®	2007 - 2018	144" WB 2500	AA	A, B	n/a	A, B
		170" WB Non-Extended 2500				
		170" WB Non-Extended 3500				
Sprinter®	2007 - 2018	170" WB Extended 3500	AA	n/a	n/a	A, B
Sprinter®	2007 - 2018	144" WB 3500	AB	A, B	n/a	A, B
Chevrolet / GMC	2015 - 2018	EXPRESS®	AD	B	n/a	n/a
Nissan	2015 - 2018	NV	AC	B	n/a	A, B

\*Some applications have specific requirements. Visit [www.tommygate.com](http://www.tommygate.com) for more information.

**V2 SERIES INSTALLATION DIMENSIONS \***



SIDE VIEW



TOP VIEW

\*Dimensions E, H, I, & J are all application specific. View the full dimension chart at [www.tommygate.com](http://www.tommygate.com)



## THE CANTILEVER SERIES

The Tommy Gate Cantilever Series is a modern hydraulic lift that is specifically designed to operate seamlessly with commercial vans.

The culmination of years of engineering, Cantilever Series models are highly versatile and include numerous desirable features. A bolt-on underside mount is compatible with most modern vans and eliminates the need for any welding. The platform is constructed from corrosion-resistant aluminum and folds laterally, allowing for access to the rear of the vehicle without operating the lift. Platforms support a large loadable area and come standard with dual cart stops.

The Cantilever Series features internal bridges, dual cart stops, remote pendant control, and maintenance-free components.



Easy to use and highly efficient, Cantilever Series models are aesthetically pleasing as well as logistically practical.

**LEFT:** the larger platform (EF71) features 60 inches of loading depth and is recommended for higher-roof vans only.

**RIGHT:** the smaller platform (EF52) features 40 inches of loading depth and is ideal for low-roof vans.



**AVAILABLE MODELS<sup>1</sup>**

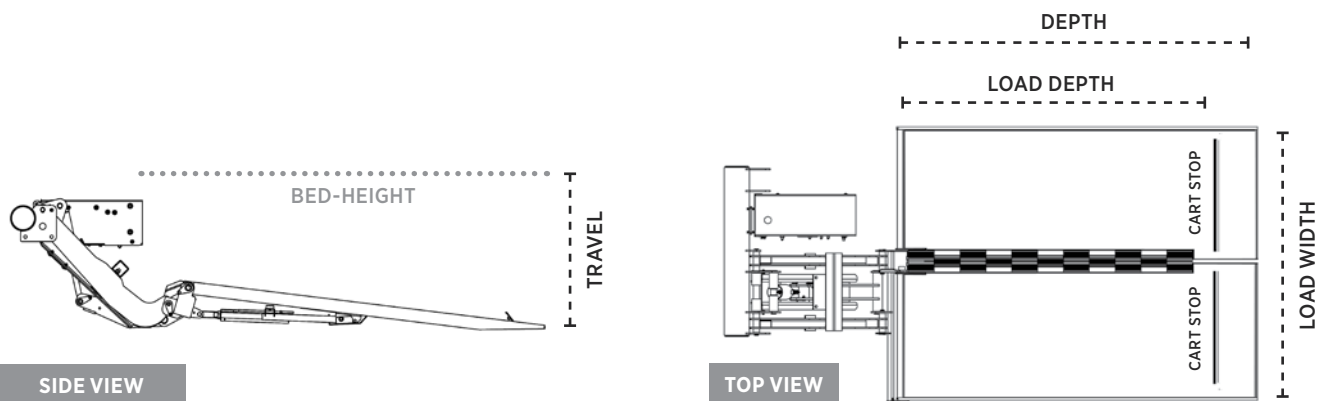
TWO-YEAR STANDARD WARRANTY

Model Number	Load Area	Depth	Travel	Gate Wt.
MB SPRINTER® 2007-2018 2500 All Styles / 3500 170" WB & 170" WB Ext. <sup>2</sup>				
<b>CVL-AA-1330 EF71</b>	53 x 60	71	30	610
<b>CVL-AA-1330 EF52</b>	53 x 40	52	30	570
MB SPRINTER® 2007-2018 3500 144" WB <sup>2</sup>				
<b>CVL-AB-1330 EF71</b>	53 x 60	71	30	610
<b>CVL-AB-1330 EF52</b>	53 x 40	52	30	570
Nissan NV® 2011-2018				
<b>CVL-AC-1330 EF71</b>	53 x 60	71	30	610
<b>CVL-AC-1330 EF52</b>	53 x 40	52	30	570
Chevrolet / GMC EXPRESS®/SAVANA® 2011-2018				
<b>CVL-AD-1330 EF52</b>	53 x 40	52	30	570
Ram Promaster® 2014-2018 1500/2500/3500, 118", 136", & 159"WB				
<b>CVL-AE-1330 EF71</b>	53 x 60	71	30	610
<b>CVL-AE-1330 EF52</b>	53 x 40	52	30	570
Ram Promaster® 2014-2018 3500, 159"WB Extended Body (ONLY)				
<b>CVL-AH-1330 EF71</b>	53 x 60	71	30	610
<b>CVL-AH-1330 EF52</b>	53 x 40	52	30	570
Ford Transit® 2015-2018 150/250/350, 130", & 148"WB <sup>3</sup>				
<b>CVL-AF-1330 EF71</b>	53 x 60	71	30	610
<b>CVL-AF-1330 EF52</b>	53 x 40	52	30	570
Ford Transit® 2015-2018 350, 148"WB Extended Body (ONLY) <sup>3</sup>				
<b>CVL-AG-1330 EF71</b>	53 x 60	71	30	610
<b>CVL-AG-1330 EF52</b>	53 x 40	52	30	570

1300 lb. Lifting Capacity

1. Installation may affect specific vehicle features such as rear sensors and back-up cameras. Installation also requires the spare tire to be relocated and is not compatible with any form of towing hitch.
2. Mercedes-Benz requires the use of an auxiliary battery for all liftgates installed on SPRINTER® vans.
3. Ford Transit® "medium-height" models are compatible with EF71 platform. Some Ford Transit® installations may require a separate connection point kit to be ordered from Ford. See Install Instructions or contact customer service.

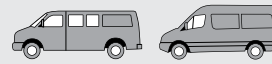
**CANTILEVER SERIES DIMENSIONS**





# CARGO VAN

650 SERIES



**650**

650 LBS CAPACITY

## THE LIGHT-DUTY INTERNAL VAN LIFT

Low-capacity, compact, and internally-mounted, the 650 Series is the ideal liftgate for lightweight van applications. 650 Series models fold up and store out of the way of ordinary tasks or flat against the inside of the rear door.

Fold-away interior mount offers two secure storage positions and easy access to the rear of the van.



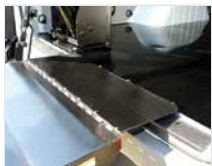
## SPECS

### AVAILABLE MODELS

ONE-YEAR STANDARD WARRANTY

	Model Number	Load Area	Taper	Travel	Applications <sup>1</sup>	Gate Weight
650 lb. Capacity	Smooth Steel Platform 650	30 x 39	4	31.5	A	345

### STANDARD FEATURES



Steel Bridge



Remote Pendant Control

### 650 SERIES DIMENSIONS

1. See applications on opposite page.
2. For detailed dimensions, visit [www.tommygate.com](http://www.tommygate.com)

