

MERCEDES



ADRIAN STEEL®

Cargo Management Solutions for Commercial Vehicles



**SPRINTER & METRIS
PRODUCT CATALOG**

adriansteel.com

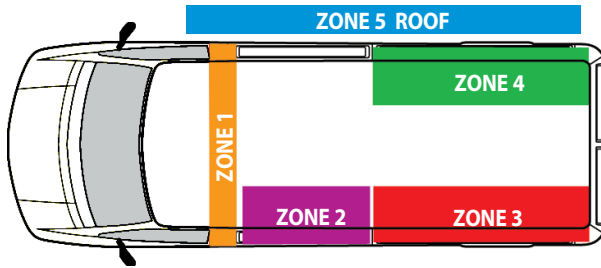
800-677-2726

906 James St. Adrian, MI 49221

YOU HAVE COME TO THE RIGHT PLACE FOR ORGANIZING YOUR SPRINTER CARGO VAN.

Adrian Steel has all the storage products you will need, and the tools to put them all together to best utilize the space in your Sprinter. This catalog is set up to walk you through the product categories as you would add them into your vehicle. Follow these simple steps to create an interior that fits your needs:

MAKE YOUR VEHICLE WORK READY!



ZONE 1 PARTITION

- Choose partition style: solid, perforated, or with a hinged door.
- Determine Sprinter roof height.
- Add accessories on both cab and cargo side.
- I need:

ZONES 2, 3, 4 CURBSIDE & STREETSIDE

- Use layout diagrams to determine the amount of space available.
- Choose from a variety of shelving units and modules that will best organize the tools and equipment you need to carry.
- I need:

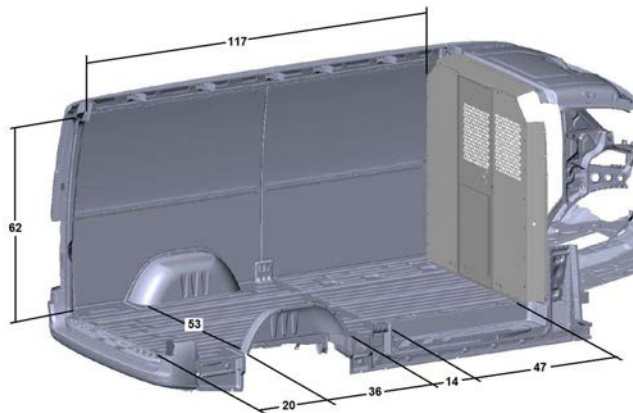
ADDITIONAL STORAGE

- Determine the space needed for specialty equipment: tank racks, lockers, reel holders, Floor Drawer floor drawers and more.
- Add accessories including door kits, drawers, hooks and more.
- I need:

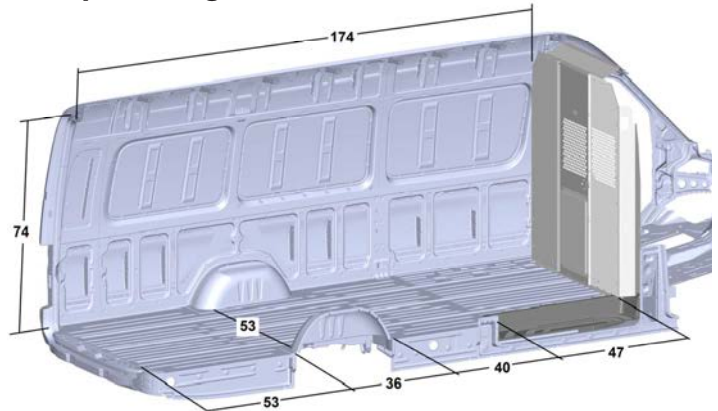
ZONE 5 ROOF

- Determine what will be carried: ladders, sheet goods, conduit, etc.
- Choose the LoadsRite for specifically carrying ladders or a Cargo Rack to carry a variety of cargo.
- Add rack accessories including step ladder kits, ratchet straps, conduit carriers and more.
- I need:

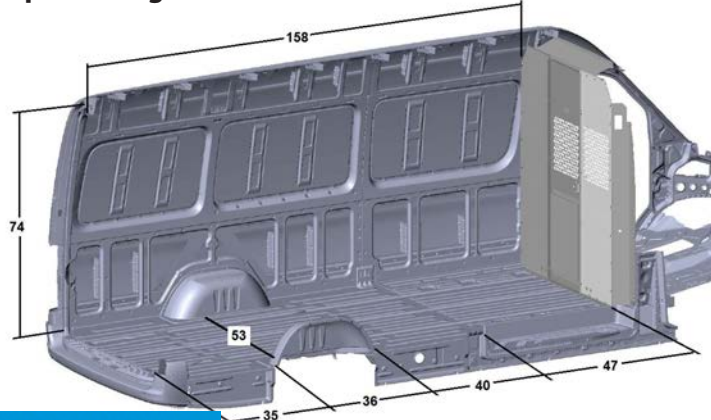
Sprinter Low Roof 144" WB 2007-newer



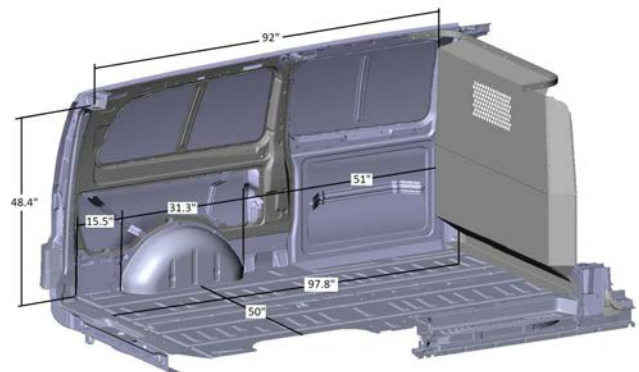
Sprinter High Roof 170" WB 2007-newer



Sprinter High Roof 170" Extended WB 2007-newer



Metris 135" WB



PROTECTION FOR CARGO. PROTECTION FROM CARGO. Adrian partitions provide security from shifting loads. Choose a perforated partition for visibility or solid for better climate control. Solid and hinged door partitions are available.

Features & Benefits

- Built of strong, 16-gauge steel.
- Formed channels for extra strength.
- Steel-Cote™ diamond-hard finish resists scratches and dents.
- Perforated partition panels are strong and quiet.
- Includes all assembly and installation fasteners for base van trim level.
Higher trim levels may require modifying trim or partition.
- Partition features lower access holes for electrical wiring.



PDK2
Steel Partition Door Kit
converts fixed center panel partition into a hinged door with keyed handle.



Steel Partition w/ Visibility
P2MMS 63" W x 13" D x 53" H Partition installs to factory attachments, no drilling or setting plusnuts required!

Need some help?
Contact your local distributor!
They can provide a wealth of information about utilizing the cargo space in your work van. Find your local distributor online at adriansteel.com.

2007 AND NEWER SPRINTER VAN PARTITION PANEL STYLES

Please state Sprinter model, year and wheelbase when ordering. Vehicles must have OEM option D62 Pre-installation for bulkhead.

Model	Roof Type	Streetside		Center				Curbside
		Solid	Solid	Fixed	Hinged	Perforated	Solid	
				Fixed	Hinged	Fixed	Hinged	
S1M1C1SPS	standard	■	■					■
S1M2C2SPS	standard	■				■		
S1M2HC2SPS	standard	■					■	
S1M1C1SPH	high	■	■					■
S1M2C2SPH	high	■				■		
S1M2HC2SPH	high	■					■	
PA5-2SPR Plexiglas Cover Panel						■	■	
P2MMS	Metris	■				■		■

Please note: Contact Adrian Steel for 2006 and older Sprinter partitions. 170" interior installed in a Mega High roof Sprinter will require OEM partition.

All illustrations, photos and specifications in this publication are based on the latest product information available at the time of content approval.

The right is reserved to make changes at any time, without notice, in materials, specifications and models, and also to discontinue models.

Adrian's accessories allow you to fully utilize your partition space for storage and organization.

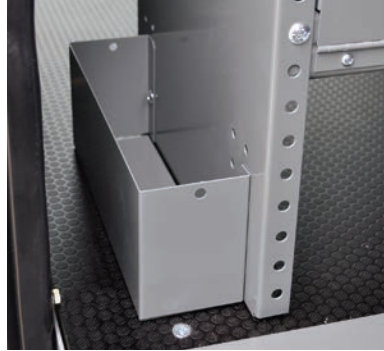
These accessories will make locating your equipment easier with practical item storage for required safety equipment and/or everyday materials. Take advantage of your partition space for a more efficient upfit solution!



Vehicle Safety

PA7 Reflector Kit w/ Bracket

PA8 1-A:10-BC Fire Extinguisher



PA9 First Aid Tray secures first aid box to partition or other vertical surface.

Overall size: 11"W, 4.5"H, 3-1/8"D.



Tank Holders

TH30 Tank Holder 30 lb

TH50 Tank Holder 50 lb.



TA1 4-Hook Bar

2" X 12" with 2" hanger opening. Mounts to any vertical surface



PA10 File Holder

Partition mounted holder for forms, manuals or work related papers

Overall size: 12" W, 7" H, 5" D.



BH4 4-Slot Literature Rack

Rack Designed to mount on partition or almost any vertical surface. Excellent for binders. Each pocket is 2 1/2" deep.

Overall size: 12-3/4" W, 19-1/2" H, 2-1/2" D.

MAXIMIZE STORAGE IN YOUR SPRINTER VAN! A great way to show your professionalism is to have an organized van. Get everything off the floor and in it's place with storage modules and accessories from Adrian Steel. Designed to accommodate a variety of items, with a combination of shelving, drawers, cabinets, files and more.

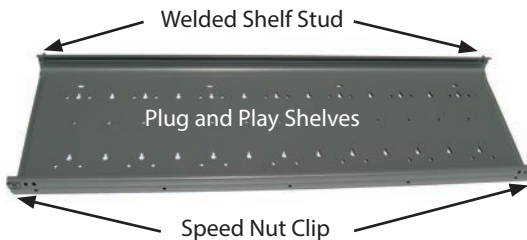
Modules come complete with installation instructions and fasteners. Some drilling is required. Installation should always be made to a body frame member or reinforcement to the body for secure attachment.



HD-SWP Series Adjustable Shelving
 Contains a 12" deep top tray with a 2" lip, one 14" deep shelf with a 2" lip, and two 14" deep shelves with a 4" lip. Contoured end panels provide flush fit to van side to maximize aisle space. Shelf gussets and a full floor rail provide extra strength. Available in three widths:
 HD-32SWP 32" W, 56" H, 12 $\frac{1}{2}$ "/14" D
 HD-42SWP 42" W, 56" H, 12 $\frac{1}{2}$ "/14" D
 HD-52SWP 52" W, 56" H, 12 $\frac{1}{2}$ "/14" D

THE NEXT GENERATION OF CARGO MANAGEMENT SOLUTIONS

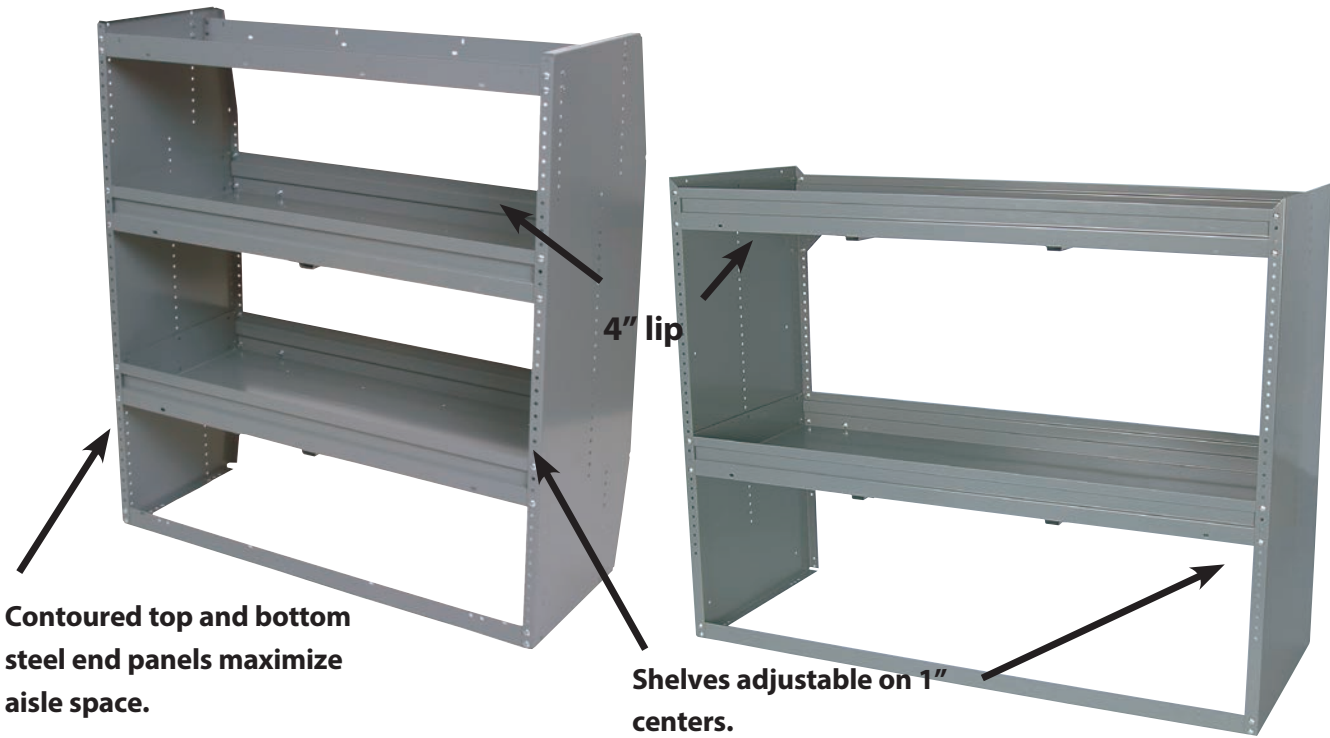
Tools, equipment and cargo come in all shapes and sizes and until now, there hasn't been a shelving unit that is **truly adjustable**. The ADseries is the first of it's kind where, with only a screwdriver, you can simply remove the front shelf bolts and move the shelf where you need it. Shelves can be adjusted in one inch increments and provide the most flexible shelving solution available.



TRULY ADJUSTABLE SHELVES

All you need is a phillips head screwdriver! The unique shelf design features rear shelf studs that lock the shelves in place and speed nut clips that allow you to attach bolt on easily! Simply remove two bolts from the speed nut clips at the front lip of the shelf, tilt the shelf upwards to disengage the rear studs, move the shelf to your desired location, insert the rear shelf studs, reattach the bolts and you're done!

MODEL	SIZE	DESCRIPTION
AD32FP	32"W x 46"H x 14"D	3-Shelf Unit, 32"
AD44FP	44"W x 46"H x 14"D	3-Shelf Unit, 44"
RKMM	126" Metris	Mounting Rail Kit
RKMM2SD	126" Metris, Dual Sliding Doors	Mounting Rail Kit
RKMMLWB	135" Metris	Mounting Rail Kit



Contoured top and bottom steel end panels maximize aisle space.

4" lip

Shelves adjustable on 1" centers.

JD SERIES JUMBO DEEP SHELVING

- Available in 18" and 24" depths.
 - Shelf gussets and floor rail provide extra strength.
 - 18" deep units contain one 14" and two 18" deep shelves.
 - 24" deep units have squared end panels and two shelves.
- See chart.

MODEL	OVERALL SIZE	OPEN SHELF SPACE
JD42FP	42"W x 46"H x 18"D	14.58 sq ft
JD52FP	52"W x 46"H x 18"D	18.56 sq ft
JD48FP	48"W x 48"H x 24"D	20.21 sq ft
JD60FP	60"W x 48"H x 24"D	20 sq ft

Drawer Units –Lock ‘n Latch System

18"W x 12"H x 12"L steel cabinet with composite drawers. New drawer glides for better operation.

Model	Desc. & Drawer Size (Qty.)
19	2-Drawer Unit w/ Lock (2)
919	3-Drawer Unit w/ Lock
9	4-Drawer Unit w/ Lock (4)



NEW & IMPROVED!



Drawer Units Locking Hinge & Hasp

#2 measures 18"W x 24"H x 18"L
#8 measures 18"W x 18"H x 12"L

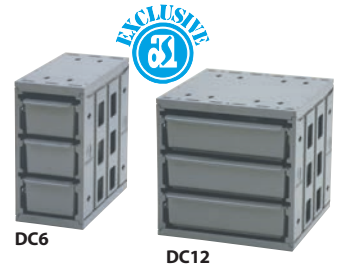
Model	Desc. & Drawer Size (Qty.)
8	3-Drawer Unit (3)
2	4-Drawer Unit (4)
26	Drawer Divider Assembly (1)

Drawer Components

High-impact polymer construction with drawer retention stops.

Model	Desc. & Cabinet Size
DC6	3-Drawer Unit
DC12	3-Drawer Unit

Interlocking feature allows up to 2 units stacked vertically or multiple units horizontally. 5lb. weight capacity per drawer.



Shelf Cabinets can be used free standing or are perfect for stacking with our lockable drawer units.

Model	Description & Cabinet Size
1	Adjustable Single Shelf Cabinet w/Lock
12	Adjustable Single Shelf Cabinet w/Lock
1A	Cabinet Shelf
12A	Cabinet End Panel



Cabinet Lockers

Lockers feature a 46" high storage space with removable shelves.

Model	Description & Cabinet Size
CL1446R	Adjustable 3-Shelf Cabinet w/ Lock

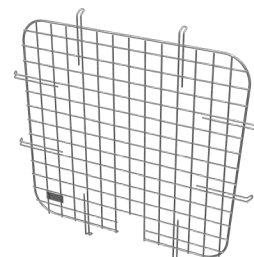
REEL HOLDERS



WRH5 5-Bar Spool Holder Five removable bars hold wire spools up to 6" in diameter. Reel Holder mounts to shelf ends or any vertical surface. Overall size: 12" W, 25" H, 4" D

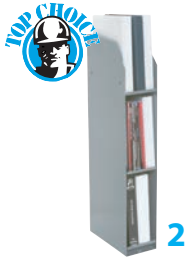
WINDOW SCREENS

Model	Description & Cabinet Size
60-158	Passenger Side Sliding Door Window Screen
60-159	Driver Side Sliding Door Window Screen
60-160	Passenger Side Rear Door Window Screen
60-161	Driver Side Rear Door Window Screen





1: CB5 5-Slot Literature Rack Mount on partition or other vertical surface. 2-1/2" deep pockets. 12"W, 24"H, 2-1/2"D.



2: 43 3-Shelf Literature Rack Fits in narrow spaces. It has three tilted shelves. Perfect for binders and catalogs. 6" W, 34" H, 12" D.



3: CB7 7-Slot Literature Rack Mount on partition or other vertical surface. 6-3/4" deep pockets. 14-3/4"W, 28-7/8"H, 7"D.



LARGE PORTABLE PARTS CASES

Versatile, lightweight, durable, convenient and mobile - these **Portable Parts Cases** are perfect for the tech who needs to carry small parts and inventory to the jobsite.

The impact resistant body can be organized with the included adjustable dividers. The see-through lids with snap latches make identifying contents easy.

PPCS 14" x 14" x 3.75"
PPCL 14" x 14" x 6.25"



CHPPC5SM
 16.5" x 14" x 35"

Case Holder options give you the ability to house multiple Portable Parts Cases near the vehicle door for easy access to grab-and-go. **CHPPC5SM** include a tray that holds an optional first aid kit and feature slanted shelves.

Aluminum Lock Box

- Stores valuable tools and paperwork.
- Gas shock opens and closes the large lid.
- The large lock will accommodate a padlock or hockey puck style lock (not included.)
- Designed to mount on the van floor facing out the side or rear doors.
- Aluminum construction with powder coat black paint.

SAFELY TRANSPORT REFRIGERANT TANKS IN AN ADRIAN STEEL TANK RACK.



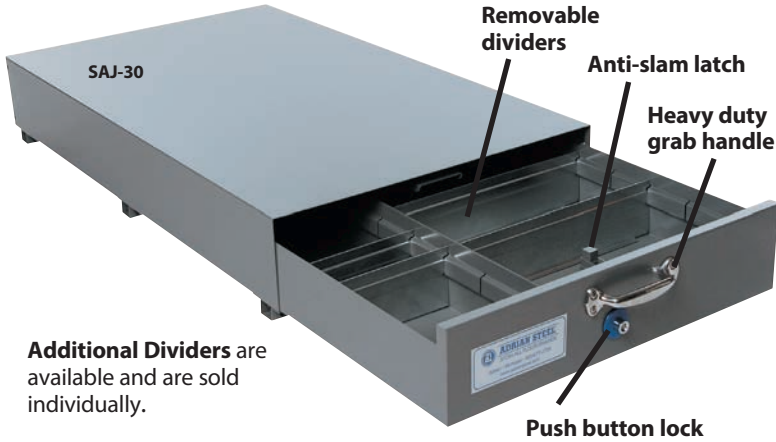
Safely carry 30-lb. and 50-lb. refrigerant tanks securely in your van. Tank Racks can be installed for easy access from the side or rear van doors for increased ergonomics and reduced risk of injury. For customers with a high roof van, these products can be stacked to carry more tanks by using the vertical space in you van.



MODEL	DESCRIPTION	HOLDS
TR330	Tank Rack, 3 (30lb)	Three 30lb. tanks
TR230150	Tank Rack, 2 (30lb), 1 (50lb)	Two 30lb. & one 50lb. tanks
TR350	Tank Rack, 3 (50lb)	Three 50lb. tanks
TR430	Tank Rack, 4 (30lb)	Four 30lb. tanks
TRSHELF30	4" Shelf for 30lb racks	
TRSHELF50	4" Shelf for 50lb racks	

*Please confirm the location of the tank rack and tray, some interior locations will not accommodate the tray due to the contour of the vehicle.

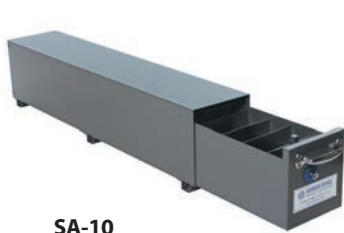
ADRIAN'S FLOOR DRAWER IS THE FINEST FLOOR STORAGE UNIT YOU CAN BUY.



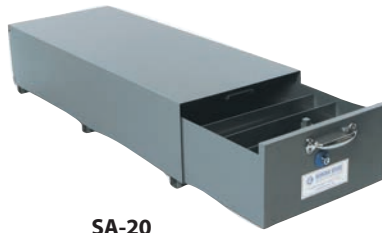
- 14 Gauge steel outer cabinets are constructed with top channel cross support members for strength and rigidity.
- Drawers are constructed with double side-walls to prevent bowing and to accommodate items up to 48" in length.
- The anti-slam latch stops drawers from completely closing without positive latch activation.
- Heavy-duty grab handle and push button lock allows for comfortable, one-handed drawer operation.
- Durable powder coat finish will provide years of rugged service.
- Easy glide drawers with full width recessed conveyor roller at front and hardened steel roller bearings at rear.
- Install at rear or side doors, and units can be stacked.



Additional Dividers are available and are sold individually.



SA-10



SA-20



SA-40

Floor Drawer DEEP SERIES

Model	Description	Cabinet Size	Drawer Size	Divider (Qty.)
SA-10	Single Compartment Floor Drawer	10"W x 12"H x 51-1/2"D	9-5/8"W x 8-1/2"H x 48-1/2"D	DV9(5)
SA-20	Single Compartment Floor Drawer	20"W x 12"H x 51-1/2"D	19-5/8"W x 8-1/2"H x 48-1/2"D	DV19(5)
SA-40	Triple Compartment Floor Drawer	40"W x 12"H x 51-1/2"D	9-5/8"W x 8-1/2"H x 48-1/2"D (2) 19-5/8"W x 8-1/2"H x 48-1/2"D	DV9(10) DV19(5)



SAJ-10



SAJ-20



SAJ-30



SAJ-40

Floor Drawer SHALLOW SERIES Floor Drawer quality in a lower profile

Model	Description	Cabinet Size	Drawer Size	Divider (Qty.)
SAJ-10	Single Compartment Floor Drawer	10"W x 8-1/2"H x 51-1/2"D	9-5/8"W x 5-1/4"H x 48-1/2"D	DVJ9(5)
SAJ-20	Single Compartment Floor Drawer	20"W x 8-1/2"H x 51-1/2"D	19-5/8"W x 5-1/4"H x 48-1/2"D	DVJ19(5)
SAJ-30	Double Compartment Floor Drawer	30"W x 8-1/2"H x 51-1/2"D	9-5/8"W x 5-1/4"H x 48-1/2"D 19-5/8"W x 5-1/4"H x 48-1/2"D	DVJ9(5) DVJ19(5)
SAJ-40	Triple Compartment Floor Drawer	40"W x 8-1/2"H x 51-1/2"D	9-5/8"W x 5-1/4"H x 48-1/2"D (2) 19-5/8"W x 5-1/4"H x 48-1/2"D	DVJ9(10) DVJ19(5)

GRIP LOCK Ladder Rack

Single Grip Lock Ladder Rack for Mercedes Metris Vans. Aluminum construction with plastic and plastisol ladder contact surfaces to protect fiberglass ladders. This Rack can carry 28' Extension Ladders : check your local regulations regarding rear overhanging loads.

NOTE : Vehicle Roof Load Rating is 330 Lbs. Max.

Catalog #	Description
2BMM	2-Bar Utility Rack
61-MM	Single grip Lock ladder rack
63-MM	Double Grip Lock Ladder Rack
1BMMGL	Center Cross Bow Kit
69-TCL14	Extension kit (28' ladders, requires 1BMMGL)
61TCSSUR	Utility Rack Add-On Kit
59038	Adaptor for 135" Wheelbase



61-MM Single Grip Lock Ladder Rack

Utility Rack (not shown)

This lightweight and adjustable Utility Rack for the Metris features an aluminum construction with composite surfaces to prevent damage to ladders or cargo. Can carry up to a 24 ft. long extension ladder or up to 125 pounds. Measures 63"W, 77.5"D, 11"H. No-drill installation.

Order 1BPMCGL Center Cross Bow Kit for carrying short ladders or cargo.

63-MM Double Grip Lock Ladder Rack
1BMMGL Center Cross Bow Kit



FINALLY!

A LADDER RACK DESIGNED AROUND YOU... NOT YOUR VEHICLE.

Introducing the All-New Drop-Down Ladder Rack from Adrian Steel!



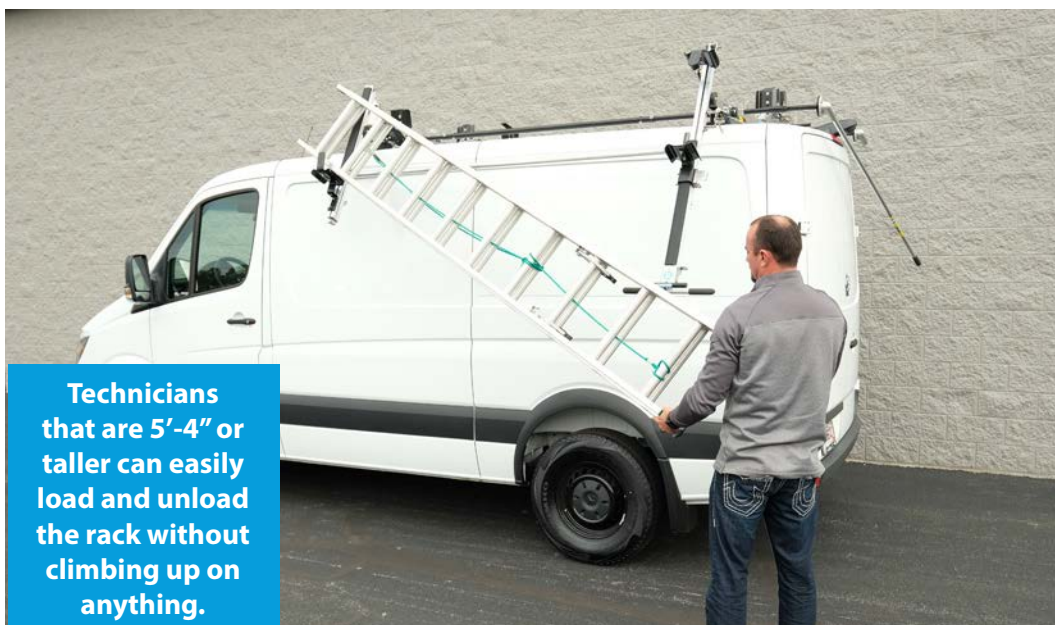
Our most user friendly ladder rack ever! Featuring the patent pending twist to adjust! The fastest way to adjust your rack to your ladder! The outboard design and two stage drop brings ladder down to an ergonomic load position where operators 5' 4" or taller can safely load and unload the ladder. The aluminum build of the rack reduces corrosion and keeps your ladder rack looking like new. Adrian Steel's Drop-Down Ladder Rack will accommodate a variety of ladders and safely secure them for transport.

- DDL61SPL** - Passenger Side Drop Down Ladder Rack, Low Roof
- DDL63SPL** - Dual-Sided Drop Down Ladder Rack, Low Roof
- DDL61SPH** - Passenger Side Drop Down Ladder Rack, High Roof
- DDL63SPH** - Dual-Sided Drop Down Ladder Rack, High Roof
- DDL61SLK** - Drop Down Ladder Rack Step Ladder Kit , Low Roof
- DDL63SLK** - Drop Down Ladder Rack Step Ladder Kit , High Roof
- 69-DDCS** - Passenger Side Ladder Rack Extension Kit, 32ft. Low Roof
- 69-DDSS** - Driver Side Ladder Rack Extension Kit, 32ft. Low Roof
- 70-1LR** - Conduit Kit w/ Round End Caps, 4"
- 70-2LR** - Conduit Kit w/ Round End Caps, 6"
- 80-1LR** - Aluminium Conduit Kit, 10'6"
- 80-2LR** - Aluminium Conduit Kit, 12'6"



EXCLUSIVE!

With the turn of a knob, you can quickly adjust the rack to fit a wide variety of ladders.



Technicians that are 5' -4" or taller can easily load and unload the rack without climbing up on anything.

We know different jobs require different ladders. The new Drop-Down ladder rack safely transports all different types of ladders. Extension ladders, step ladders and specialty ladders. Standard rack accommodates 28' extension ladder and 10' step ladder – short step ladders will need optional step ladder kit and up to 32' extension ladder with extension ladder kit.

See it in action at AdrianSteel.com

Sprinter High Roof 170" & 170" Extended



A SAFER, MORE EFFICIENT LAST MILE LIFESTYLE



Sliding Partition

- Easy open door with quick access to cargo area.
- Reduces climbing in and out of the van by half.
- Barrier that helps protect the occupants from shifting cargo.



Folding Shelves

- Flexible storage for a variety of package sizes.
- Strong lightweight aluminum shelves to maximize payload.
- Gas struts quiet the shelving while reducing strain of moving shelves up or down.
- 20" deep with 2" lip and available in 36", 48", 60" and 72" lengths.



Steps (Rear & Side Doors)

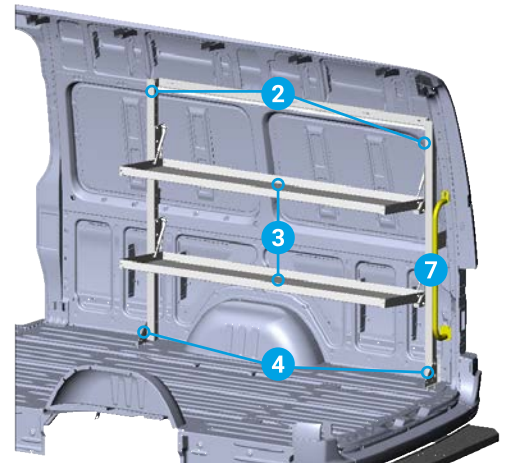
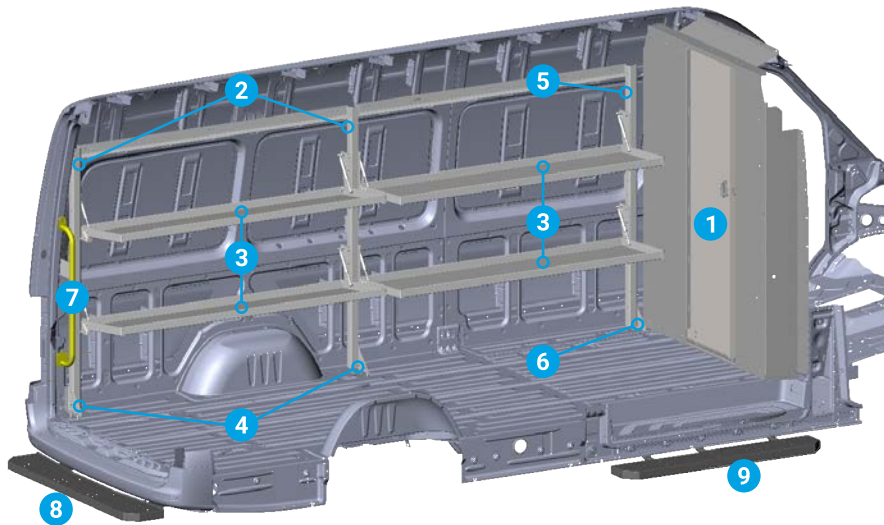
- Slip resistant platform for sure footing.
- Grated platform allows dirt and water to drain through preventing build-up.
- Safely enter/exit van with steps that reduces height to climb in out of the van.



Grab Handles (Rear & Side Doors)

- Helps maintain balance when entering/exiting the vehicle.
- Reduces fatigue of climbing in and out of the vehicle.
- Point of contact in case of slip, trip or fall.

Sprinter High Roof 170"

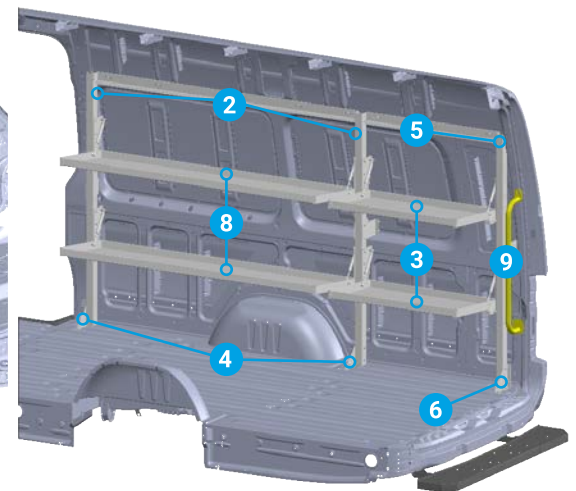
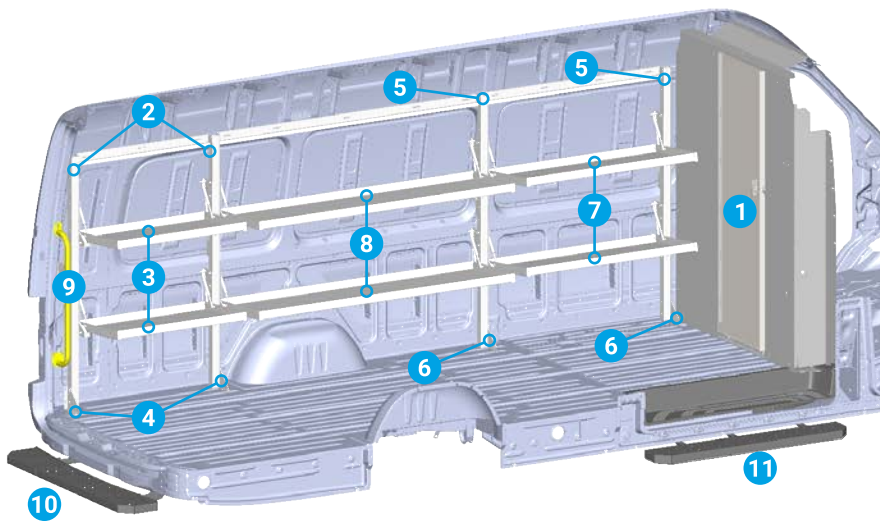


Item:	Description:	Part Number:	Qty:
1	Sliding Partition	SPARSPH	1
2	Post Mounting Kit	FSFPKMH *	2
3	Folding Shelf Kit, 20 x 72	FSFK2072 *	3
4	Shelf Mounting Kit	FSFMKSPR *	2
5	Post Mounting Kit Add-On	FSFPKMHA	1

Item:	Description:	Part Number:	Qty:
6	Shelf Mounting Kit Add-On	FSFMKSPRA	1
7	Grab Handle	GHSPR	2
8	Rear Door Step	STEPSPRRD	1
9	Side Door Step	STEPSPRSD	1

* Part number comes as a 2 pack.

Sprinter High Roof 170" Extended



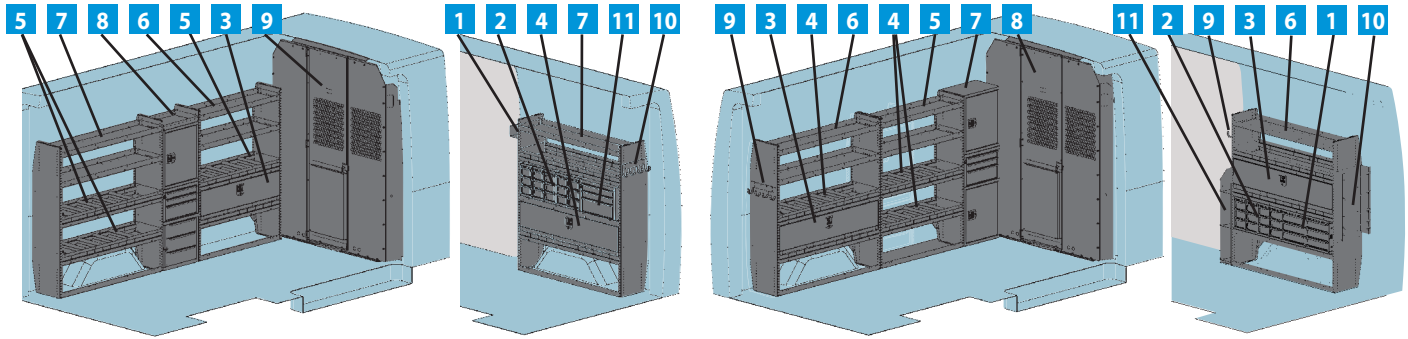
Item:	Description:	Part Number:	Qty:
1	Sliding Partition	SPARSPH	1
2	Post Mounting Kit	FSFPKMH *	2
3	Folding Shelf Kit, 20 x 36	FSFK2036 *	2
4	Shelf Mounting Kit	FSFMKSPR *	2
5	Post Mounting Kit Add-On	FSFPKMHA	3

Item:	Description:	Part Number:	Qty:
6	Shelf Mounting Kit Add-On	FSFMKSPRA	3
7	Folding Shelf Kit, 20 x 48	FSFK2048 *	1
8	Folding Shelf Kit, 20 x 72	FSFK2072 *	2
9	Grab Handle	GHSPR	2
10	Rear Step	STEPSPRRD	1
11	Side Step	STEPSPRSD	1

* Part number comes as a 2 pack.

DON'T LET ALL THAT SPACE INSIDE YOUR SPRINTER CARGO VAN INTIMIDATE YOU. ORGANIZE IT WITH ADRIAN STEEL!

If you just don't know where to start, turn to Adrian for ideas on how to best maximize that precious space inside your Sprinter Van. Trade packages are designed for several different vocations with trade specific equipment like tank racks and small parts storage. If you don't see exactly what you are looking for, that's ok! Trade packages are thought starters, designed to give you ideas to run with as you combine the Adrian shelving, cabinets, drawers and modules to fit your specific needs.

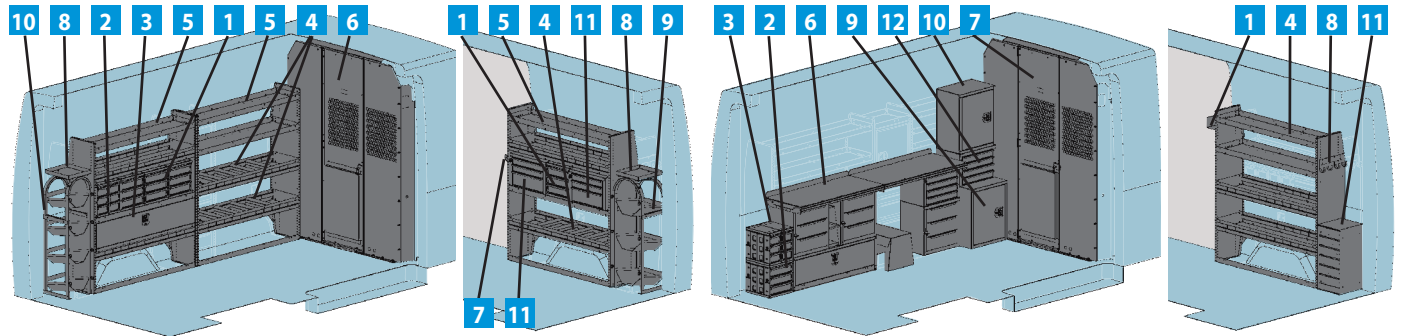


144" SPRINTER GENERAL SERVICE STARTER PACKAGE 4013H High Roof Package

Item	Model	Description	Qty.
1	ACT3	3-Place Aerosol Can Holder	1
2	DC6	3-Drawer Unit	5
3	DK542	Door Kit w/ Back Panel	1
4	DK552	Door Kit w/ Back Panel	1
5	DV14	Shelf Divider	12
6	HD-42SWP	4-Shelf Unit	1
7	HD-52SWP	4-Shelf Unit	2
8	MD603	Cabinet & Drawer Module	1
9	S1M2HC2	Partition/07/Sprinter	1
10	TA1	4-Hook Bar	1
11	919	3-Drawer Unit w/ Lock	1

144" SPRINTER ELECTRICAL STARTER PACKAGE 4014H High Roof Package

Item	Model	Description	Qty.
1	DC12	3-Drawer Unit	2
2	DC6	3-Drawer Unit	4
3	DK552	Door Kit w/ Back Panel	2
4	DV14	Shelf Divider	12
5	HD-42SWP	4-Shelf Unit	1
6	HD-52SWP	4-Shelf Unit	2
7	MD601	Cabinet & Drawer Module	1
8	S1M2HC2	Partition/07/Sprinter	1
9	TA1	4-Hook Bar	2
10	WRH5	5-Bar Spool Holder	1
11	43	3-Shelf Literature Rack	1



144" SPRINTER HVAC STARTER PACKAGE 4015H High Roof Package

Item	Model	Description	Qty.
1	DC12	3-Drawer Unit	4
2	DC6	3-Drawer Unit	2
3	DK552	Door Kit w/ Back Panel	1
4	DV14	Shelf Divider	12
5	HD-52SWP	4-Shelf Unit	3
6	S1M2HC2	Partition/07/Sprinter	1
7	TA1	4-Hook Bar	1
8	WTRTRAY	Welded Tank Rack Shelf Kit	2
9	WTR350	Welded Tank Rack	1
10	WTR430	Welded Tank Rack	1
11	919	3-Drawer Unit w/ Lock	2

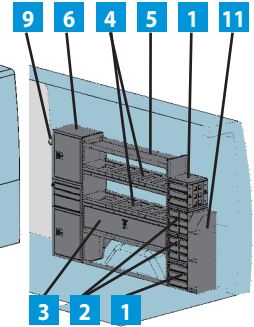
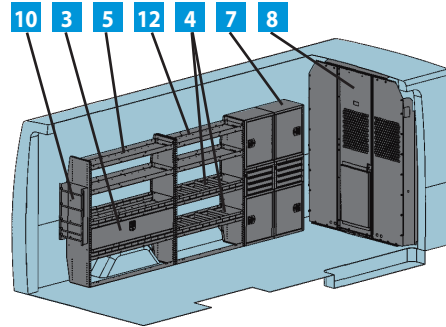
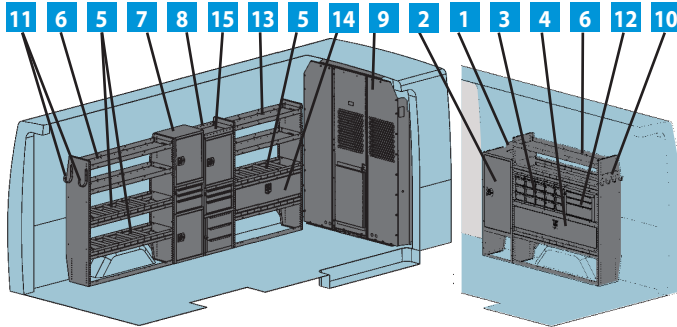
144" SPRINTER LOCKSMITH STARTER PACKAGE 4016H High Roof Package

Item	Model	Description	Qty.
1	ACT3	3-Place Aerosol Can Holder	1
2	DC12	3-Drawer Unit	1
3	DC6	3-Drawer Unit	2
4	HD-52SWP	4-Shelf Unit	1
5	KMB36	Key Machine Base	1
6	MD610	Workbench Module	1
7	S1M2HC2	Partition/07/Sprinter	1
8	TA1	4-Hook Bar	1
9	1	Adjustable Single Shelf Cabinet w/Lock	1
10	12	Adjustable Single Shelf Cabinet w/Lock	1
11	17A	6-Shelf Catalog File	1
12	9	4-Drawer Unit w/ Lock	1
13	12A	Cabinet End Panel	1

Note: Illustrations and descriptions are for 2007 and newer Sprinter vehicles. Call Adrian Steel for package information for 2006 and older Sprinter vehicles.

DON'T LET ALL THAT SPACE INSIDE YOUR SPRINTER INTIMIDATE YOU. ORGANIZE IT WITH ADRIAN STEEL!

If you just don't know where to start, turn to Adrian for ideas on how to best maximize that precious space inside your Sprinter Van. Trade packages are designed for several different vocations with trade specific equipment like tank racks and small parts storage. If you don't see exactly what you are looking for, that's ok! Trade packages are thought starters, designed to give you ideas to run with as you combine the Adrian shelving, cabinets, drawers and modules to fit your specific needs.



170" SPRINTER GENERAL SERVICE STARTER PACKAGE

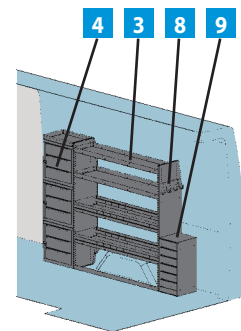
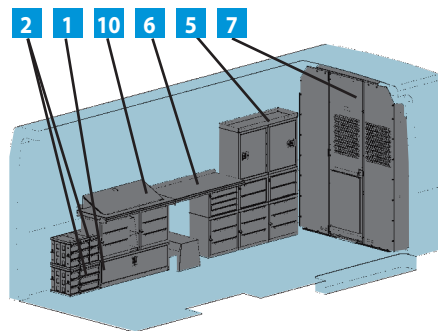
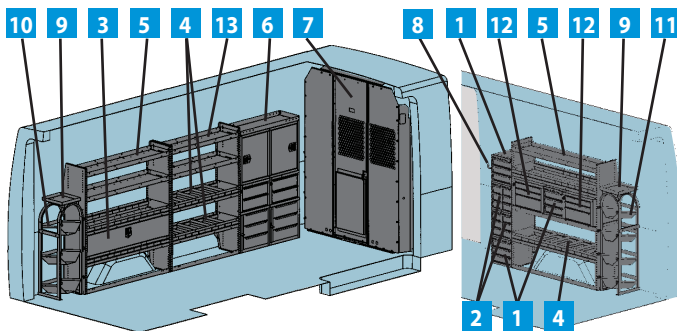
4001H High Roof Package

Item	Model	Description	Qty.
1	ACT3	3-Place Aerosol Can Holder	1
2	CL1446D	Adjustable 3-Shelf Cabinet w/ Lock	1
3	DC6	3-Drawer Unit	5
4	DK552	Door Kit w/ Back Panel	1
5	DV14	Shelf Divider	12
6	HD-52SWP	4-Shelf Unit	2
7	MD601	Cabinet & Drawer Module	1
8	MD603	Cabinet & Drawer Module	1
9	S1M2HC2	Partition/07/Sprinter	1
10	TA1	4-Hook Bar	1
11	UH50	Utility Hook	2
12	919	3-Drawer Unit w/ Lock	1
13	HD-42SWP	4-Shelf Unit	1
14	DK542	Door Kit w/ Back Panel	1
15	4B	Parts Tray	1

170" SPRINTER ELECTRICAL STARTER PACKAGE

4002H High Roof Package

Item	Model	Description	Qty.
1	DC12	3-Drawer Unit	2
2	DC6	3-Drawer Unit	4
3	DK552	Door Kit w/ Back Panel	2
4	DV14	Shelf Divider	16
5	HD-52SWP	4-Shelf Unit	2
6	MD601	Cabinet & Drawer Module	1
7	MD604	Cabinet & Drawer Module	1
8	S1M2HC2	Partition/07/Sprinter	1
9	TA1	4-Hook Bar	1
10	WRH5	5-Bar Spool Holder	1
11	43	3-Shelf Literature Rack	1
12	HD-42SWP	4-Shelf Unit	1



170" SPRINTER HVAC STARTER PACKAGE

4003H High Roof Package

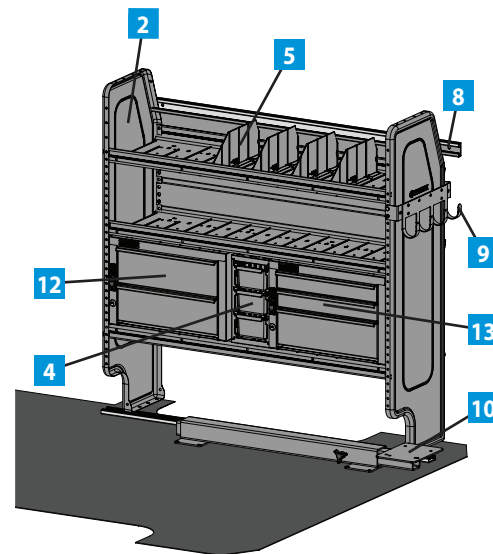
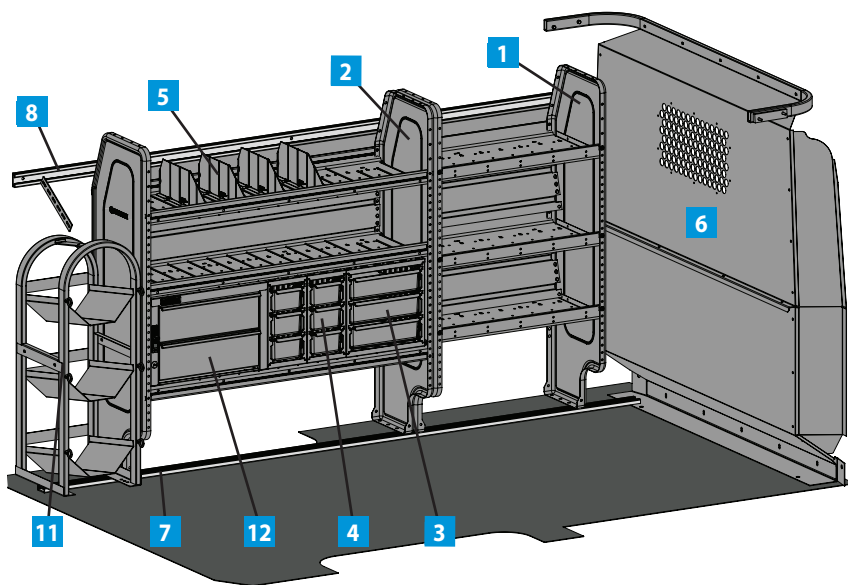
Item	Model	Description	Qty.
1	DC12	3-Drawer Unit	3
2	DC6	3-Drawer Unit	4
3	DK552	Door Kit w/ Back Panel	1
4	DV14	Shelf Divider	12
5	HD-52SWP	4-Shelf Unit	2
6	MD605	Cabinet & Drawer Module	1
7	S1M2HC2	Partition/07/Sprinter	1
8	TA1	4-Hook Bar	1
9	WTRTRAY	Welded Tank Rack Shelf Kit	2
10	WTR350	Welded Tank Rack	1
11	WTR430	Welded Tank Rack	1
12	919	3-Drawer Unit w/ Lock	2
13	HD-42SWP	4-Shelf Unit	1

170" SPRINTER LOCKSMITH STARTER PACKAGE

4004H High Roof Package

Item	Model	Description	Qty.
1	DC12	3-Drawer Unit	1
2	DC6	3-Drawer Unit	4
3	HD-52SWP	4-Shelf Unit	1
4	MD602	Cabinet & Drawer Module	1
5	MD605	Cabinet & Drawer Module	1
6	MD610	Workbench Module	1
7	S1M2HC2	Partition/07/Sprinter	1
8	TA1	4-Hook Bar	1
9	17A	6-Shelf Catalog File	1
10	KMB36	Key Machine Base	1

Note: Illustrations and descriptions are for 2007 and newer Sprinter vehicles. Call Adrian Steel for package information for 2006 and older vehicles. 170" interior installed in a Mega High roof Sprinter will require OEM partition.

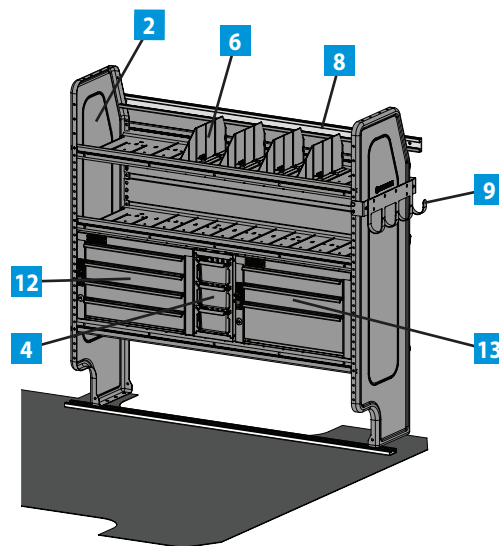
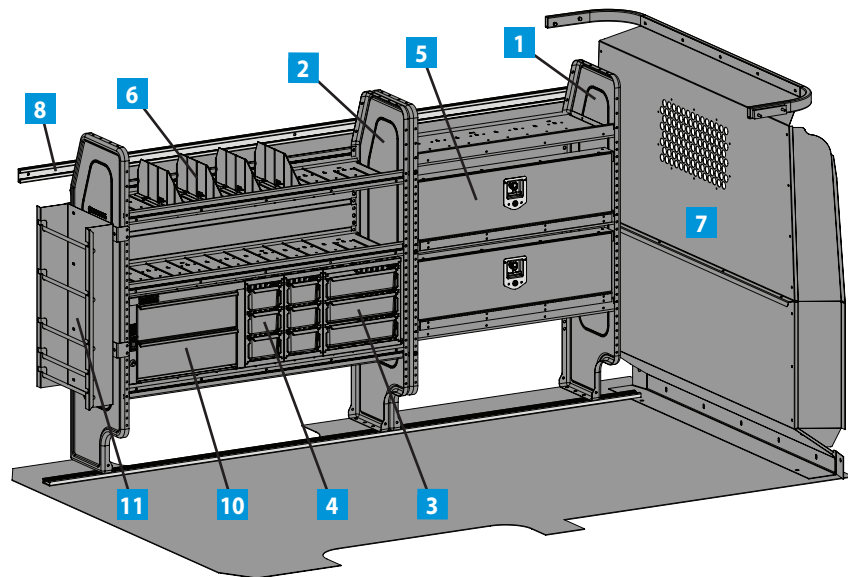


PLUMBING, HEATING, & A/C STARTER PACKAGE

4318MM

Item	Model	Description	Qty.
4318MM Plumbing, Heating, A/C Upfit			
1	AD26TC	Adjustable 3-Shelf Unit	1
2	AD44FP	Adjustable 3-Shelf Unit	2
3	DC12	3-Drawer Unit	1
4	DC6	3-Drawer Unit	3
5	DK4208	Door Kit w/ Open Back	2
6	DV14C8	14" Shelf Dividers	1
7	P2MMS	Steel Partition w/ Visibility	1
8	RKAWTR	Welded Tank Rack Rail Adapter	1

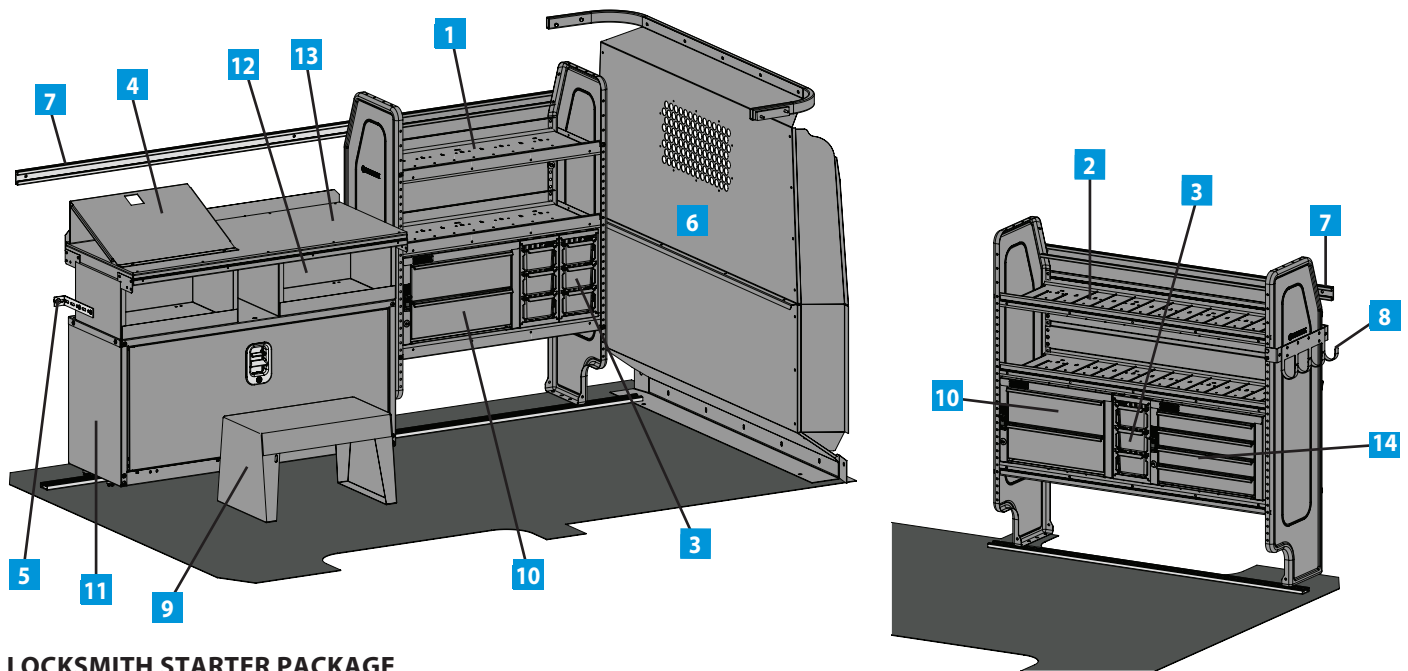
Item	Model	Description	Qty.
9	RKMM	Mounting Rail Kit	1
10	TA1WAD	4-Hook Bar w/ Adapter	1
11	VMA36	Vise Mount Assembly	1
12	WTR230150	Welded Tank Rack	1
13	19	2-Drawer Unit w/ Lock	2
14	919	3-Drawer Unit w/ Lock	1



ELECTRICAL & GAS STARTER PACKAGE

4319MM

Item	Model	Description	Qty.
4319MM Electric-Gas Upfit			
1	AD32FP	Adjustable 3-Shelf Unit	1
2	AD44FP	Adjustable 3-Shelf Unit	2
3	DC12	3-Drawer Unit	1
4	DC6	3-Drawer Unit	3
5	DK3008	Door Kit	1
6	DK4208	Door Kit w/ Open Back	1
7	DV14C8	14" Shelf Dividers	1
8	P2MMS	Steel Partition w/ Visibility	1

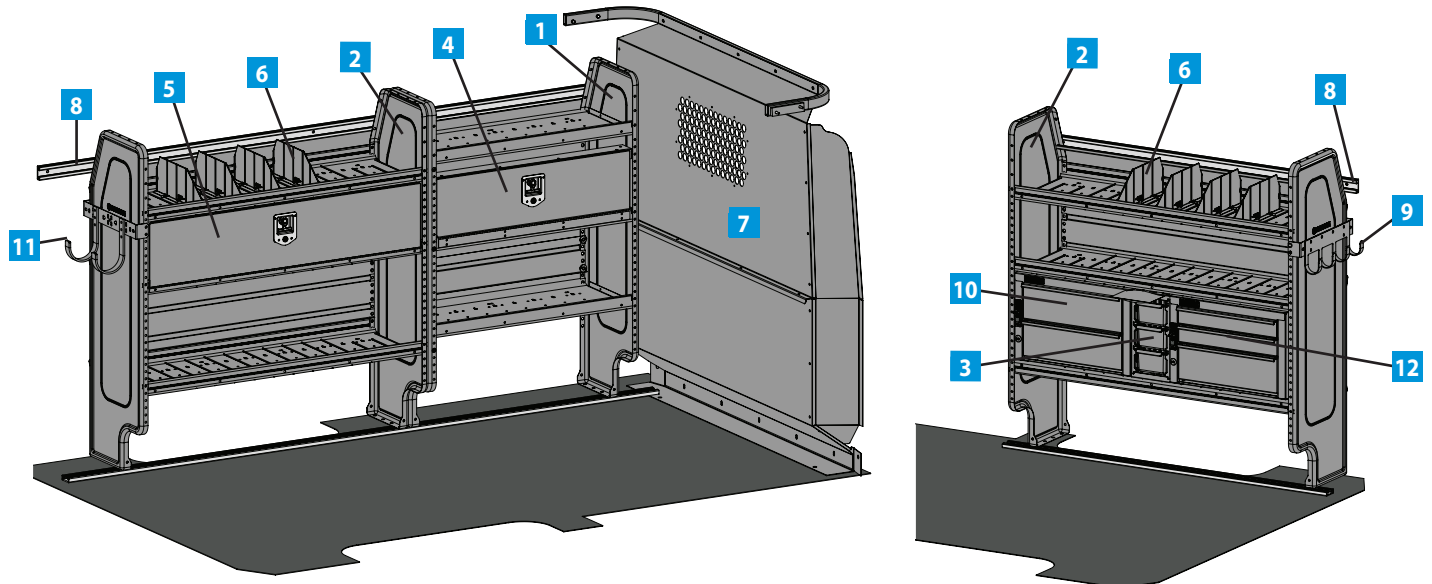


LOCKSMITH STARTER PACKAGE

2255MM

Item	Model	Description	Qty.
2255MM Locksmith Upfit			
1	AD32FP	Adjustable 3-Shelf Unit	1
2	AD44FP	Adjustable 3-Shelf Unit	1
3	DC6	3-Drawer Unit	3
4	KMB18	Key Machine Base	1
5	MB113	Mounting Bracket w/ Fasteners	2
6	P2MMS	Steel Partition w/ Visibility	1
7	RKMM	Mounting Rail Kit	1
8	TA1WAD	4-Hook Bar w/ Adapter	1

Item	Model	Description	Qty.
9	14	Step Stool	1
10	19	2-Drawer Unit w/ Lock	2
11	40H	Wheelwell Bin w/ Lock, ProMaster	1
12	46618	Riser Shelf Kit, MD608PM	2
13	54	Workbench Top	1
14	9	4-Drawer Unit w/ Lock	1



GENERAL SERVICE STARTER PACKAGE

4317MM

Item	Model	Description	Qty.
4317MM General Package Upfit			
1	AD32FP	Adjustable 3-Shelf Unit	1
2	AD44FP	Adjustable 3-Shelf Unit	2
3	DC6	3-Drawer Unit	1
4	DK3008	Door Kit	1
5	DK4208	Door Kit w/ Open Back	1
6	DV14C8	14" Shelf Dividers	1
7	P2MMS	Steel Partition w/ Visibility	1
8	RKMM	Mounting Rail Kit	1

Item	Model	Description	Qty.
9	TA1WAD	4-Hook Bar w/ Adapter	1
10	19	2-Drawer Unit w/ Lock	1
11	47939	2-Utility Hooks w/ End Panel Adapter	1
12	919	3-Drawer Unit w/ Lock	1

MODEL	PAGE	DESCRIPTION
12	7	Adjustable Single Shelf Cabinet w/Lock
12A	7	Cabinet End Panel
14	17	Step Stool
17A	14	6-Shelf Catalog File
1	7	Adjustable Single Shelf Cabinet w/Lock
19	7	2-Drawer Unit w/ Lock
1A	7	Cabinet Shelf
1BMMGL	12	Center Cross Bow Kit
2255MM	17	Locksmith Starter Package
26	7	Drawer Divider Assembly
2	7	4-Drawer Unit
28	13	LINBIN Blue 10x8x7
28MM	12	2 Bar Utility Rack
4001H	16	General Service Starter Package
4002H	16	Electrical Starter Package
4003H	16	HVAC Starter Package
4004H	16	Locksmith Starter Package
4013H	14	General Service Starter Package
4014H	14	Electrical Starter Package
4015H	14	HVAC Starter Package
4016H	14	Locksmith Starter Package
40H	17	Wheelwell Bin w/ Lock, ProMaster
4317MM	17	General Service Starter Package
4318MM	18	Plumbing, Heating, & A/C Starter Package
4319MM	18	Electrical & Gas Starter Package
43	8	3-Shelf Literature Rack
46106	18	WRH5 w/ AD Brackets
46618	17	Riser shelf Kit
47939	17	2-Utility Hooks w/ End Panel Adapter
4B	16	Parts Tray
54	17	Workbench Top
60-158	7	Passenger Side Sliding Door Window Screen
60-159	7	Driver Side Sliding Door Window Screen
60-160	7	Passenger Side Rear Door Window Screen
60-161	7	Driver Side Rear Door Window Screen
61-MM	12	Single Grip Lock Ladder Rack
61TCSSUR	12	Utility Rack Add-On Kit
63-MM	12	Double Grip Lock Ladder Rack
69-DDCS	11	Passenger Side Drop Down Ladder Rack Extension
69-DDSS	11	Driver Side Drop Down Ladder Rack Extension
69TCL14	12	Extension Kit
70-1LR	11	Conduit Kit w/ Round End Caps
70-2LR	11	Conduit Kit w/ Round End Caps
80-1LR	11	Aluminium Conduit Kit
80-2LR	11	Aluminium Conduit Kit
8	7	3-Drawer Unit
919	7	3-Drawer Unit w/ Lock
9	7	4-Drawer Unit w/ Lock
ACT3	14	3-Place Aerosol Can Holder

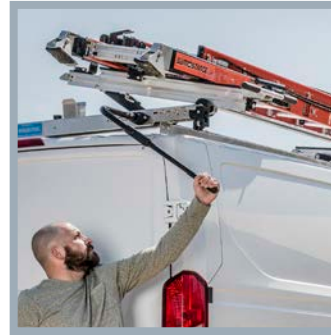
MODEL	PAGE	DESCRIPTION
AD26TC	18	Adjustable 3-Shelf Unit
AD32FP	5	Adjustable 3-Shelf Unit
AD44FP	5	Adjustable 3-Shelf Unit
BH4	4	4-Slot Literature Rack
CB5	8	5-Slot Literature Rack
CB7	8	7-Slot Literature Rack
CL1446R	7	Adjustable 3-Shelf Cabinet w/ Lock
DC12	7	3-Drawer Unit
DC6	7	3-Drawer Unit
DDL61SPL	11	Passenger Side Drop Down Ladder Rack
DDL63SPL	11	Dual-Sided Drop Down Ladder Rack
DK4208	17	Door Kit w/ Open Back
DK532	6	Door Kit w/ Back Panel
DK542	6, 14	Door Kit w/ Back Panel
DK552	6, 14	Door Kit w/ Back Panel
DV14	13, 14	Shelf Divider
DV14C8	17	14" Shelf Dividers
DV19	9	Floor Drawer Divider
DV44L1	9	Lower Shelf Divider
DV44L4	9	Lower Shelf Divider Kit
DV44U1	9	Top Shelf Divider
DV44U4	9	Top Shelf Divider Kit
DV44U	9	Top Shelf Divider Kit
DV9	9	Floor Drawer Divider
DVJ19	9	Floor Drawer Divider
DVJ9	9	Floor Drawer Divider
FSFK2036	13	Folding Shelf Kit, 20 x 36
FSFK2048	13	Folding Shelf Kit, 20 x 48
FSFK2072	13	Folding Shelf Kit, 20 x 72
FSFMKSPR	13	Shelf Mounting Kit
FSFMKSPRA	13	Shelf Mounting Kit Add-On
FSFUKMH	13	Upright Mounting Kit
FSFUKMHA	13	Upright Mounting Kit Add-On
GHSPR	13	Grab Handle, Sprinter
HD-425WP	14	HD Adjustable Shelving
HD-525WP	14	HD Adjustable Shelving
HD4459	8	4-Shelf Unit
JD42FP	7	3-Shelf Unit
JD48FP	7	2-Shelf Unit
JD52FP	7	3-Shelf Unit
JD60FP	7	3-Shelf Unit
KMB36	14	Key Machine Base
MB113	17	Mounting Bracket w/ Fasteners
P2MMS	3	Steel Partition w/ Visibility
PA10	4	File Holder
PA5-2SPR	3	Partition Climate Control Kit
PA7	4	Reflector Kit w/ Bracket
PA8	4	Fire Extinguisher
PA9	4	First Aid Tray
PDK1	5	Steel Partition Door Kit
PDK2	3	Steel Partition Door Kit
PPCL	8	Large Portable Parts Case
PPCS	8	Small Portable Parts Case
RKAWTR	8	Welded Tank Rack Rail Adapter
RKMM	5	Mounting Rail Kit
S1M1C1SPH	3	Steel Partition Panel Kit
S1M1C1SPS	3	Steel Partition Panel Kit
S1M2C2SPH	3	Steel Partition w/ Visibility
S1M2C2SPS	3	Steel Partition w/ Visibility
S1M2HC2	3	Sprinter Partition
S1M2HC2SPH	3	Steel Partition w/ Visibility &

MODEL	PAGE	DESCRIPTION
		Door Kit
S1M2HC2SPS	3	Steel Partition w/ Visibility & Door Kit
SA-10	9	Single Compartment Floor Drawer
SA-20	9	Single Compartment Floor Drawer
SA-40	9	Triple Compartment Floor Drawer
SAJ-10	9	Single Compartment Floor Drawer
SAJ-20	9	Single Compartment Floor Drawer
SAJ-30	9	Double Compartment Floor Drawer
SAJ-40	9	Triple Compartment Floor Drawer
SPARSPH	13	Sliding Partition, Sprinter High Roof
STEPSPRRD	13	Rear Door Step
STEPSPRSD	13	Side Door Step
TA1	13	4-Hook Bar
TA1WAD	17	4-Hook Bar w/ Adapter
TA2	17	Hard Hat Holder
TH30	4	Tank Holder
TH50	4	Tank Holder
TR330	8	Tank Rack, 3 (30lb)
TR230150	8	Tank Rack, 2 (30lb), 1 (50lb)
TR350	8	Tank Rack, 3 (50lb)
TR430	8	Tank Rack, 4 (30lb)
TRSHELF30	8	4" Shelf for 30 lb. Racks
TRSHELF50	8	4" Shelf for 50 lb. Racks
UH50	13	Utility Hook
VMA36	13	Vise Mount Assmly
WRH5	7	5-Bar Spool Holder



ADRIAN STEEL®

Cargo Management Solutions for Commercial Vehicles



QUALITY

- Our products are durable and reliable. Warranty claims are less than 1% of sales.
- Our warranty covers our products for three years or 36,000 miles.

INNOVATIVE PRODUCTS WITH FEATURES THAT MATTER

- Drawers that stay closed while in transit.
- ADseries truly adjustable shelving platform.
- Drop Down and Grip Lock ladder racks that load and unload the safe and right way.
- Interior ladder storage.
- Plug and Play accessories.
- Anti-slam drawer latches, and much more!

COMMITMENT

At Adrian Steel, we are committed to you beyond the upfit!

- A dedicated Customer Care Team at corporate headquarters.
- A network of highly qualified distributors to support you locally.
- Our commitment to provide the best cargo management solutions in North America.



EXPERIENCE

- **Over One Million vans upfitted**, and counting! It's a fact that an organized vehicle increases work flow efficiencies and reduces inventory damages.
- Recognized as a National Truck Equipment Association MVP.

SERVICE

- Adrian Steel Products can be purchased throughout North America at authorized Adrian Steel distributors.
- Adrian Steel Customer Service Representatives are available M-F, 8am - 5pm EST at **1-800-677-2726**.
- E-mail us at info@adriansteel.com with questions, comments and feedback.
- Visit AdrianSteel.com for the most up-to-date product information, distributor locator, product catalogs, videos and more.

adriansteel.com

800-677-2726

906 James St.
Adrian, MI 49221