

# TARP SYSTEMS

We've built a full line of electric and manual tarps as well as replacement parts for every application.

<b>ELECTRIC TARP SYSTEMS</b>	<b>F3</b>
NEW Steel Electric Tarp Systems	F3
<b>ELECTRIC TARP SYSTEM PARTS AND ACCESSORIES</b>	<b>F4</b>
NEW High Torque Tarp Gear Motor	F4
NEW Aluminum Tension Bow	F5
NEW Tarp Arm Accessories	F6
NEW Electrical Parts and Accessories	F7
<b>MANUAL TARP SYSTEMS</b>	<b>F8</b>
NEW Tapered Cab Shield DTR Mounting Brackets	F8
NEW Retention Bow Catch Plate	F9
NEW Aluminum Chain Guard	F10
NEW Manual Tarp Systems with Aluminum Deflector and Housing	F11
<b>TARPS</b>	<b>F12</b>
<b>MANUAL TARP SYSTEM PARTS</b>	<b>F13</b>



# Electric Tarp Systems

## Electric Arm Tarp Systems

Choose the following options:

### PIVOTS

Side mount pivots (4- or 5-spring)  
with die-cast aluminum housing

**OR**

Underbody pivots (tension springs)

### ARMS

Telescoping extruded aluminum arms

**OR**

Telescoping steel arms

**AND**

## Each System Includes



60:1 or 90:1 gear motors  
available with 1 or 3 year  
warranty.



60A, auto-reset circuit breaker



60', 8 Ga dual conductor  
battery cable



Rocker switch and solenoid  
with cover



Wind deflector

## Tarps Are Sold Separately See Page F12



60:1 or 90:1 High torque  
tarp gear motor with cover

(6) Poly arm guides

One-piece aluminum wind deflector

Universal side mount pivots  
with die cast housing  
4-spring (Fits 8'-19' Dumps)  
5-spring (Fits 14'-23' Dumps)

Telescoping pivot arm assembly  
4-spring (Fits 8'-19' Dumps)  
5-spring (Fits 14'-23' Dumps)



now available in steel arms

5544000

Part No.	Material	Springs	Wind Deflector	Gear Motor	Motor Warranty	Wt. (lbs.)	Cat.
<b>Fits 8' - 19' Dumps</b>							
5544000	Aluminum	4-Spring Steel	Yes	600W / 90:1	1 Yr.	126	554-2 (N)
5544300	Aluminum	4-Spring Steel	Yes	600W / 90:1	3 Yr.	126	554-2 (N)
5544365	Aluminum	4-Spring Steel	Yes	900W / 60:1	3 Yr.	128	554-2 (N)
5544395	Aluminum	4-Spring Steel	Yes	600W / 90:1	3 Yr.	128	554-2 (N)
5544006	Aluminum	4-Spring Steel	No	600W / 90:1	1 Yr.	126	554-2 (N)
5544306	Aluminum	4-Spring Steel	No	600W / 90:1	3 Yr.	126	554-2 (N)
5544366	Aluminum	4-Spring Steel	No	900W / 60:1	3 Yr.	128	554-2 (N)
5544396	Aluminum	4-Spring Steel	No	900W / 90:1	3 Yr.	128	554-2 (N)
5546000	Aluminum	15-Coil Torsion	Yes	600W / 90:1	1 Yr.	126	554-2 (N)
5546300	Aluminum	15-Coil Torsion	Yes	600W / 90:1	3 Yr.	126	554-2 (N)
5546365	Aluminum	15-Coil Torsion	Yes	900W / 60:1	3 Yr.	128	554-2 (N)
5546395	Aluminum	15-Coil Torsion	Yes	600W / 90:1	3 Yr.	128	554-2 (N)
5546006	Aluminum	15-Coil Torsion	No	600W / 90:1	1 Yr.	126	554-2 (N)
5546306	Aluminum	15-Coil Torsion	No	600W / 90:1	3 Yr.	126	554-2 (N)
5546366	Aluminum	15-Coil Torsion	No	900W / 60:1	3 Yr.	128	554-2 (N)
5546396	Aluminum	15-Coil Torsion	No	900W / 90:1	3 Yr.	128	554-2 (N)
5548000	Steel	4-Spring Steel	Yes	600W / 90:1	1 Yr.	117	554-2 (N)
5548006	Steel	4-Spring Steel	No	600W / 90:1	1 Yr.	104	554-2 (N)
5548300	Steel	4-Spring Steel	Yes	600W / 90:1	3 Yr.	117	554-2 (N)
5548306	Steel	4-Spring Steel	No	600W / 90:1	3 Yr.	104	554-2 (N)
5548365	Steel	4-Spring Steel	Yes	900W / 60:1	3 Yr.	117	554-2 (N)
5548366	Steel	4-Spring Steel	No	900W / 60:1	3 Yr.	104	554-2 (N)
5548395	Steel	4-Spring Steel	Yes	900W / 90:1	3 Yr.	126	554-2 (N)
5548396	Steel	4-Spring Steel	No	900W / 90:1	3 Yr.	114	554-2 (N)
<b>Fits 14' - 23' Dumps</b>							
5545000	Aluminum	5-Spring Steel	Yes	600W / 90:1	1 Yr.	142	554-2 (N)
5545300	Aluminum	5-Spring Steel	Yes	600W / 90:1	3 Yr.	142	554-2 (N)
5545365	Aluminum	5-Spring Steel	Yes	900W / 60:1	3 Yr.	144	554-2 (N)
5545395	Aluminum	5-Spring Steel	Yes	900W / 90:1	3 Yr.	144	554-2 (N)
5545006	Aluminum	5-Spring Steel	No	600W / 90:1	1 Yr.	142	554-2 (N)
5545306	Aluminum	5-Spring Steel	No	600W / 90:1	3 Yr.	142	554-2 (N)
5545366	Aluminum	5-Spring Steel	No	900W / 60:1	3 Yr.	144	554-2 (N)
5545396	Aluminum	5-Spring Steel	No	900W / 90:1	3 Yr.	144	554-2 (N)
5547000	Aluminum	15-Coil Torsion	Yes	600W / 90:1	1 Yr.	142	554-2 (N)
5547300	Aluminum	15-Coil Torsion	Yes	600W / 90:1	3 Yr.	142	554-2 (N)
5547365	Aluminum	15-Coil Torsion	Yes	900W / 60:1	3 Yr.	144	554-2 (N)
5547395	Aluminum	15-Coil Torsion	Yes	900W / 90:1	3 Yr.	144	554-2 (N)
5547006	Aluminum	15-Coil Torsion	No	600W / 90:1	1 Yr.	142	554-2 (N)
5547306	Aluminum	15-Coil Torsion	No	600W / 90:1	3 Yr.	142	554-2 (N)
5547366	Aluminum	15-Coil Torsion	No	900W / 60:1	3 Yr.	144	554-2 (N)
5547396	Aluminum	15-Coil Torsion	No	900W / 90:1	3 Yr.	144	554-2 (N)
5549000	Steel	5-Spring Steel	Yes	600W / 90:1	1 Yr.	126	554-2 (N)
5549006	Steel	5-Spring Steel	No	600W / 90:1	1 Yr.	114	554-2 (N)
5549300	Steel	5-Spring Steel	Yes	600W / 90:1	3 Yr.	126	554-2 (N)
5549306	Steel	5-Spring Steel	No	600W / 90:1	3 Yr.	114	554-2 (N)
5549365	Steel	5-Spring Steel	Yes	900W / 60:1	3 Yr.	126	554-2 (N)
5549366	Steel	5-Spring Steel	No	900W / 60:1	3 Yr.	114	554-2 (N)
5549395	Steel	5-Spring Steel	Yes	900W / 90:1	3 Yr.	126	554-2 (N)
5549396	Steel	5-Spring Steel	No	900W / 90:1	3 Yr.	114	554-2 (N)

See pg. F12 for Tarps



# Electric Tarp Systems

## Electric Tarp Gear Motors









**600W**  
5541095  
5543095



**900W**  
5541065  
5543965  
5541895  
5543895

- 3-1/8" x 3/4" output shaft
- Bronze alloy gear for extended life
- 5 Mounting holes, fits all 3 and 4-bolt configurations
- Includes 5541006 chrome cover
- Retail packaged

Part No.	Description	Warranty	Watts	HP	Gear Ratio	RPM	Compares To	Wt. (lbs.)	Cat.
 5541095	<b>BEST SELLER</b>	1 Yr.	600	0.8	90:1	40	Donovan® 61X* & 61L*, Roll-Rite® 1030/1031*, US Tarp® 11521/13655*, Tarps & Beyond® 5000XT90*	13.25	554-3 (N)
 5543095	<b>EXTENDED WARRANTY</b>	3 Yr.	600	0.8	90:1	40	Donovan® 61G*	13.25	554-3 (N)
 <b>NEW</b> 5541895	<b>HIGH TORQUE</b>	1 Yr.	900	0.8	90:1	40	Donovan® 4 0909*, Aero® Power Plus RS/RA*, Shur-Co® 1703823*, Super Winch® 719527*, Mountain Tarp K0170*	13.25	554-3 (N)
 5543895	<b>EXTENDED WARRANTY, HIGH TORQUE</b>	3 Yr.	900	1.2	90:1	40	Donovan® 4 0909*, Aero® Power Plus RS/RA*, Shur-Co® 1703823*, Super Winch® 719527*, Mountain Tarp K0170*	13.5	554-3 (N)
 5541065	<b>HIGH SPEED</b>	1 Yr.	900	1.2	60:1	60	Roll-Rite® Tarp Master 10360*, US Tarp® 11521/13655*, Tarps & Beyond® 5000XT60*, Mountain Tarp K0170S*	13.5	554-3 (N)
 5543965	<b>EXTENDED WARRANTY, HIGH SPEED</b>	3 Yr.	900	1.2	60:1	60	Roll-Rite® Tarp Master 10310*	13.5	554-3 (N)

## Gear Motor Cover



5541005

- Chrome-plated plastic tarp gear motor cover replacement
- Protects tarp gear motors from the elements
- Retail packaged

Part No.	Description	Compares To	Wt. (lbs.)	Cat.
5541005	Fits 600W Motors	Donovan® 4278*	0.59	554-3 (N)
5541006	Fits 600-900W Motors	Donovan® 4278*	0.65	554-3 (N)

## Wind Deflector



3011874



3011871



3011873

- 98" Long x 7-1/2" Tall x 1" Return  
Comparable to: Donovan® 1216\*

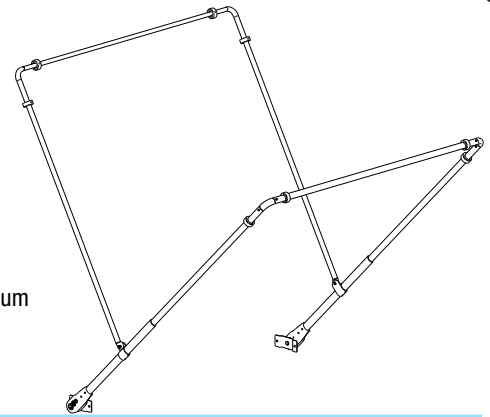
Part No.	Description	Wt. (lbs.)	Cat.
3011871	Aluminum Wind Deflector, Partial Top	12	554-3 (N)
3011873	End Plate, DS for 3011871	1.45	554-3 (N)
3011874	End Plate, PS for 3011871	1.45	554-3 (N)

\*Buyers Products is not authorized by nor affiliated with the manufacturer of Donovan®, Roll-Rite®, US Tarp®, Tarps & Beyond®, Pulltarp®, Aero®, Shur-Co®, Super Winch®, Mountain Tarp Inc. products.

## Tension Bow

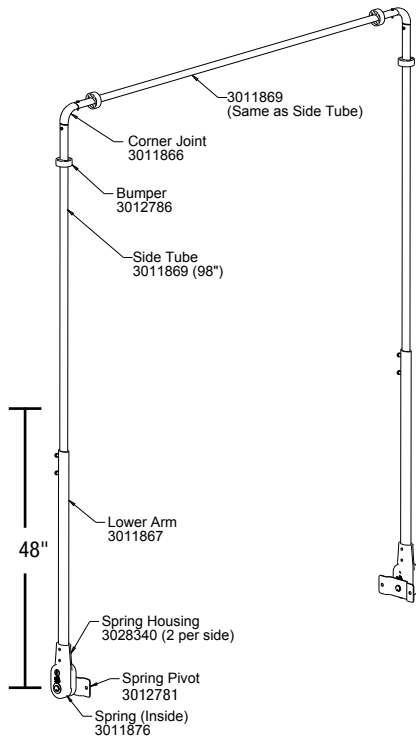


- Prevents tarp from flapping in transit
- Works with Buyers electric and manual tarp arms (Works with all Buyers tarp kits with arms)
- Extruded aluminum tubing, cast aluminum corners, and poly bumpers included
- 30° (3011868), 45° (3036900) and 60° (3036901) tarp joints sold separately

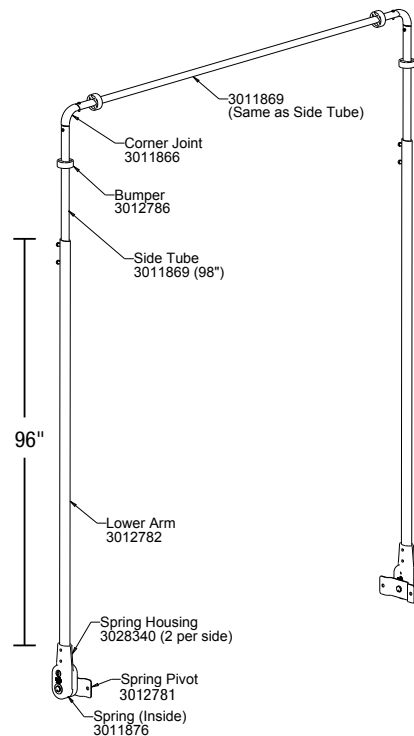


Part No.	Description	Cat.
<b>NEW 5540000</b>	Aluminum Tarp Tension Bow	554-3 (N)

## Aluminum Arm Kits



- 4 Spring
- New cast aluminum spring housing
- Side tube telescopes for 8' - 19' dump bodies



- 5 Spring
- New cast aluminum spring housing
- Side tube telescopes for 14' - 23' dump bodies

Part No.	Description	Wt. (lbs.)	Cat.
<b>3016666</b>	Universal Aluminum Tarp Arm Kit	59	554-3 (N)
<b>3016667</b>	Universal Aluminum Tarp Arm Kit	75	554-3 (N)

\* Buyers Products is not authorized by nor affiliated with the manufacturer of Roll-Rite®

## Tarp Arm Bumper



- 3-1/2" dia. x 1-1/4" wide
- Molded polyethylene with nut insert lock

Part No.	Description	Wt. (lbs.)	Cat.
<b>3012786</b>	Tarp Arm Bumper	0.27	554-3 (N)

## Arm Joints



- Provides extra tarp arm clearance for trucks with tall cabs
- For use with Buyers electric tarp kits and manual tarp arm kits

Part No.	Description	Wt. (lbs.)	Cat.
<b>3011868</b>	30° Aluminum Tarp Arm Joint	1.66	554-3 (N)
<b>3036900</b>	45° Aluminum Tarp Arm Joint	1.51	554-3 (N)
<b>3036901</b>	60° Aluminum Tarp Arm Joint	1.51	554-3 (N)



# Electric Tarp Systems

## Tarp Arm Accessories



- Used with electric and manual tarp arm systems
- Provides extra tarp arm support
- Reduces noise and wear from tarp arm rattle
- Includes rubber landing pad
- Comparable to:  
Roll-Rite® 4695

Part No.	Description	Wt. (lbs.)	Cat.
<b>NEW</b> 5540001	Aluminum Tarp Stop Bracket Kit (Pair)	2.5	554 (Y)



- Used with electric and manual tarp arm systems
- Provides extra tarp arm support
- Reduces noise and wear from tarp arm rattle
- 8" L x 2-1/2" W x 3" H
- Comparable to:  
Roll-Rite® 7660

Part No.	Description	Wt. (lbs.)	Cat.
<b>NEW</b> 5540002	Rubber Tarp Centering Wedge (Pair)	1.23	554 (Y)

## Underbody Pivot Spring



3024913



3024912

- 5/8", 15-Coil torsion spring
- 3,900 lbs

Part No.	Description	Wt. (lbs.)	Cat.
3024913	Spring, DS	8.14	554-3 (N)
3024912	Spring, PS	8.14	554-3 (N)

## Underbody Spring Pivot Assembly



- For electric underbody systems
- Bearings and all mounting hardware included
- 5/8", 15-Coil torsion spring
- Comparable to: Mountain Tarp® K0511B\*(DS) K0512B\*(PS)

Part No.	Description	Wt. (lbs.)	Cat.
3024915	Underbody Spring Assembly, DS	20.5	554-3 (N)
3024916	Underbody Spring Assembly, PS	20.5	554-3 (N)

## Tarp Axle



- 97" Long x 2" Diameter
- Multi-mount 3/4" tarp hole axle
- Accepts screw-in and slide-in tarps

Part No.	Description	Wt. (lbs.)	Cat.
3011870	Tarp Axle	14	554-3 (N)

## Spiral Torsion Spring



- 5/8" wide
- Tempered spring steel
- Black powder coated
- Comparable to:  
Donovan® 2416\*  
Roll-Rite® 4723\*  
US Tarp® 11121\*  
Mountain Tarp K0199\*

Part No.	Description	Wt. (lbs.)	Cat.
3011876	Universal Flat Coil Spring	1.1	554-3 (N)

## Electrical Parts and Accessories



- Solenoid with cover
- Rocker switch with bracket
- Circuit breaker
- Wire harness

Part No.	Description	Wt. (lbs.)	Cat.
<b>NEW 5541020</b>	Rocker Switch Kit (Everything Needed to Operate Tarp Gearmotor)	.005	554-3 (N)



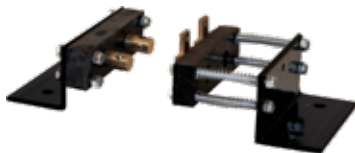
- 150A ground coils
  - Silver plated contacts
  - Ideal for any application that requires reversing motion
  - Optional cover sold separately
- Comparable to:  
Donovan® 1464\*, Roll-Rite 10690\*

Part No.	Description	Wt. (lbs.)	Cat.
<b>1306600</b>	Solenoid Switch	0.76	900 (N)
<b>3014186</b>	Optional Solenoid Cover	0.08	560 (N)



- 12V, 80A
  - Sealed, weatherproof
  - 6 terminal poles
- Comparable to:  
Cole Hersee 24452\*  
Mountain Tarp K0176M\*  
US Tarp 13994 EZ Relay\*

Part No.	Description	Wt. (lbs.)	Cat.
<b>NEW 5541100</b>	Motor Reversing Relay	0.54	554 (N)



- 12V
  - Reduces wire length on long dumps
- Comparable to:  
Donovan® 1379A\*  
Mountain Tarp K0141\*

Part No.	Description	Wt. (lbs.)	Cat.
<b>3015127</b>	Contact Plate	3	554-3 (N)



- 2-Way trailer connectors
  - Die-cast metal and round pins
  - Trailer end with cable guard spring
- Comparable to:  
Donovan® 3848\*, Roll-Rite® 1267\* (truck end)  
US Tarp® 11544\* (truck end), Roll-Rite® 1268\* (trailer end), US Tarp® 11545\* (trailer end)



Part No.	Description	Wt. (lbs.)	Cat.
<b>TC1012</b>	Truck End, Vertical	0.68	542 (N)
<b>TC1002</b>	Truck End, Horizontal	0.68	542 (N)
<b>TC2012</b>	Trailer End, Vertical	0.74	542 (N)
<b>TC2002</b>	Trailer End, Horizontal	0.74	542 (N)



- 50A rotary switch
- Switch bracket
- Red indicator light
- 40A circuit breaker

Comparable to:  
Donovan® 85N\*, Roll-Rite®  
1050\*, US Tarp® 11479\*,  
Mountain Tarp K0176\*



- Comparable to:  
Donovan® 600\*,  
Roll-Rite® 1905\*,  
US Tarp® 11129\*,  
Mountain Tarp K017E\*

Part No.	Description	Wt. (lbs.)	Cat.
<b>5540710</b>	Rotary Switch Kit	1.09	554-3 (N)
<b>SW710</b>	Heavy Duty Rotary Switch	0.39	639 (N)



- 12V
  - Double momentary open/close
  - Switch and bracket sold separately
- Comparable to:  
Donovan® 1897\* (switch)  
Donovan® 1532\* (bracket)  
Roll-Rite 19300\* (switch)  
Roll-Rite 10390\* (bracket)

Part No.	Description	Wt. (lbs.)	Cat.
<b>3014187</b>	Rocker Switch	0.1	639 (N)
<b>3014188</b>	Rocker Switch Mounting Bracket	0.25	554-3 (N)



- 12V
  - Auto reset
- Comparable to:  
Donovan® 1461\*

Part No.	Description	Wt. (lbs.)	Cat.
<b>NEW CB50</b>	50 A Circuit Breaker	0.23	560 (N)
<b>CB60</b>	60 A Circuit Breaker	0.23	560 (N)

\*30-250 A also available



- Copper wire
- Three conductor
- 20'

Part No.	Description	Wt. (lbs.)	Cat.
<b>3014217</b>	14 Gauge Wire, 3 Conductor	1.5	554-3 (N)



- Copper wire
  - Dual conductor
  - 60'
- Comparable to:  
Donovan® 88\* (6 gauge)  
Roll-Rite® 1133\* (6 gauge)  
US Tarp® 11148\* (6 gauge)  
Donovan® 2141\* (8 gauge)

Part No.	Description	Wt. (lbs.)	Cat.
<b>3012783</b>	6 Gauge Wire, Dual Conductor	15.4	554-3 (N)
<b>3020919</b>	8 Gauge Wire, Dual Conductor	10.5	554-3 (N)



- Quick connects
  - Used with 6 gauge wire
  - 2 per kit
- Comparable to:  
Donovan® 3799\*,  
Mountain Tarp K0144\*

Part No.	Description	Wt. (lbs.)	Cat.
<b>5601015</b>	Connector Kit	0.78	560 (N)

\* Buyers Products is not authorized by nor affiliated with the manufacturer of Donovan®, Roll-Rite®, US Tarp®, Tarps & Beyond®, Pulltarp®, Aero®, Shur-Co®, Super Winch®, Mountain Tarp Inc. products.



# Manual Tarp Systems

## Crank Arm Tarp Systems



Die-cast aluminum housing, protects springs and strengthens arm joints



Tarp crank with friction brake



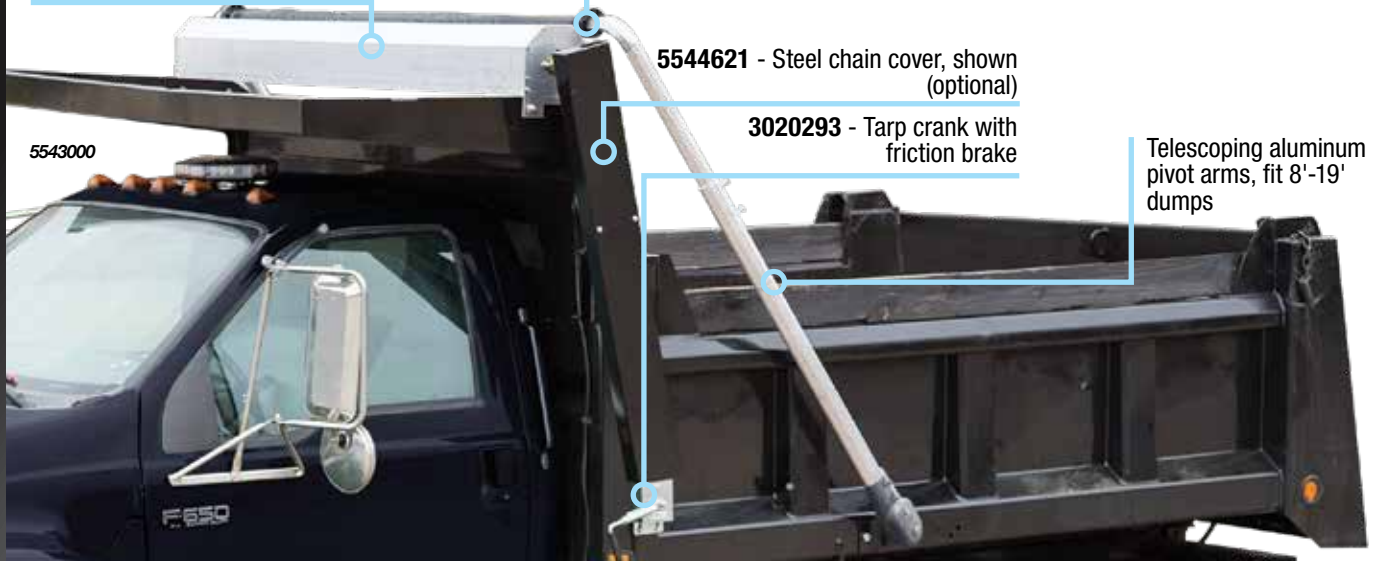
10' nickel-plated chain and shaft assembly with 18T sprocket

- Telescoping, aluminum pivot arms
- Tarp crank with friction brake
- **Includes:** Aluminum arms & pivots, 10' chain, 3 spring pivot, bumpers, torsion springs, cast corner joints, mounting hardware
- Tarps sold separately (Page F12)

Part No.	# of Springs	Wind Deflector	Wt. (lbs.)	Cat.
<b>5543000</b>	3	Yes	97	554-2 (N)
<b>5543006</b>	3	No	85	554-2 (N)

See pg. F12 for Tarps

Optional aluminum wind deflector      Adjustable poly arm guides



**5544621** - Steel chain cover, shown (optional)

**3020293** - Tarp crank with friction brake

Telescoping aluminum pivot arms, fit 8'-19' dumps

### Tapered Cab Shield DTR Mounting Brackets



- Provides a 'square' mounting surface for dump bodies with tapered cab shields
- Black powder coated steel

### Chain Cover



5544621

5544622

Part No.	Description	Wt. (lbs.)	Cat.
<b>3031692</b>	Used on Crysteel® Dump Body	7	554-3 (N)
<b>3031808</b>	Used on Rugby® Dump Body	7	554-3 (N)

Part No.	Description	Wt. (lbs.)	Cat.
<b>5544621</b>	DTG Chain Cover, Black Steel	19	554-3 (N)
<b>5544622</b>	DTG Chain Guard, Aluminum	4.68	554-3 (N)

### Optional Wind Deflector



- 98" Long x 8" Tall x 4"

Part No.	Description	Wt. (lbs.)	Cat.
<b>3026462</b>	Aluminum Wind Deflector, Full Top	16.93	554-3 (N)
<b>3026457</b>	End Plate, DS for 3026462	1.45	554-3 (N)
<b>3026458</b>	End Plate, PS for 3026462	1.45	554-3 (N)

### Crank Arm Drive



Part No.	Description	Wt. (lbs.)	Cat.
<b>3013299</b>	10' Nickel Plated Chain with Master Link	4.34	554 (N)
<b>3024748</b>	3/4" x 14" Shaft Assembly with 18T Sprocket	2.17	554-3 (N)

Works with 5543000 and 5543006 tarp systems



## Pull-Style Tarp Systems with Spring Assist

- Spring assist helps keep tension for easy retracting
- 98" Aluminum anti-sail tarp retention bow set with poly arm stops
- **Includes:** 20' pull rope, wind deflector, aluminum end plates, tarp retention bow catch plate, tarp, mounting hardware
- **Ships pre-assembled with tarp on roller under tension** (except 5542000 & 5542090)

Part No.	Description	Housing Length	Tarp Dimensions	Wt. (lbs.)	Cat.
554275150	Aluminum Tarp System with Mesh Tarp	96"	7-1/2' x 15'	102	554-2 (N)
554275152	Aluminum Tarp System with Solid Tarp	96"	7-1/2' x 15'	108	554-2 (N)
554270150	Aluminum Tarp System with Mesh Tarp	91"	7' x 15'	101	554-2 (N)
554270152	Aluminum Tarp System with Solid Tarp	91"	7' x 15'	105	554-2 (N)
554270155	Aluminum Tarp System with Mesh Tarp	88"	7' x 15'	100	554-2 (N)
554270156	Aluminum Tarp System with Solid Tarp	88"	7' x 15'	102	554-2 (N)
554265150	Aluminum Tarp System with Mesh Tarp	82"	6-1/2' x 15'	100.5	554-2 (N)
554260140	Aluminum Tarp System with Mesh Tarp	76"	6' x 14'	99.5	554-2 (N)
554250120	Aluminum Tarp System with Mesh Tarp	64"	5' x 12'	97.5	554-2 (N)
5542000	96" Aluminum Tarp System Hardware Kit Only	96"	-	92	554-2 (N)
5542090	91" Aluminum Tarp System Hardware Kit Only	91"	-	90.5	554-2 (N)

See pg. F12 For Tarps

### Optional DTB Retention Bow Catch Plate



Part No.	Description	Wt. (lbs.)	Cat.
<b>NEW</b> 3029712	Tarp Retention Bow Catch Plate	0.79	554-3 (N)



554275150

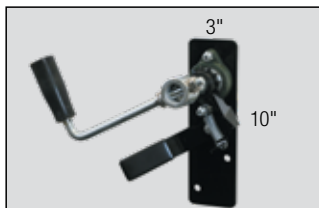
# Manual Dump Tarp Systems

## All Kits Include

- Tarp rollers with telescoping extruded aluminum cross bars to fit exact width of truck
- **NEW** Aluminum tarp deflector and housing (TDH systems only)
- 20' rope
- Tarp (unless noted)
- (4) rope tie down hooks
- (2) 15" rubber straps with S-hook
- Mounting hardware

## PLUS: Your choice of crank (included)

### UNIVERSAL



3" bearing bolt center mounting is used on all kits with a **DTR** prefix

### RUGBY DUMP BODY/STYLE



3-1/2" bearing bolt centers available as kit **DTR1**. Tarp sold separately

### GROUND CRANK WITH CHAIN



Available as kit **DTG**. Tarp sold separately

## Options

### Chain Cover



5544621



5544622

Part No.	Description	Wt. (lbs.)	Cat.
5544621	DTG Chain Cover, Black Steel	19	554-3 (N)
<b>NEW</b> 5544622	DTG Chain Guard, Aluminum	4.68	554-3 (N)

### Rear Anti-Sail Tarp Retention Bow Set Options



- Fits into rear pocket sleeve

Part No.	Description	Wt. (lbs.)	Cat.
<b>DTB96</b>	96" Black Powder Coated	11.5	554-3 (N)
<b>DTB98A</b>	98" Aluminum	8.0	554-3 (N)
<b>DTB102</b>	102" Black Powder Coated	14.0	554-3 (N)



**NEW**  
TDH7515

One-piece, extruded aluminum wind deflector

DTB102 Tarp Tension Bow (optional)

Standard sewn-in pocket works with optional DTB96, DTB98A and DTB102 rear anti-sail tarp retention bow sets

20' Pull rope with snap hook

DTR7015

### With Aluminum Deflector and Housing

Part No.	Description	Dimensions	Wt. (lbs.)	Cat.
<b>TDH7512</b>	7.5' x 12' Black Mesh	Yes	49.5	554-2 (N)
<b>TDH7515</b>	7.5' x 15' Black Mesh	Yes	51	554-2 (N)
<b>TDH7518</b>	7.5' x 18' Black Mesh	Yes	53	554-2 (N)

### Roll Kits Without Tarp

Part No.	Description	Dimensions	Wt. (lbs.)	Cat.
<b>DTR</b>	Dump Tarp Roll Kit (less tarp), Universal	—	19.25	554 (Y)
<b>DTR1</b>	Dump Tarp Roll Kit (less tarp), for Pre-Drilled Rugby® Dump Body	—	16.25	554 (Y)
<b>DTG</b>	Tarp Roller Kit, with Ground Control (less tarp)	—	30.1	554 (Y)

### DTR Roll Kits With Tarp Included

Part No.	Description	Dimensions	Wt. (lbs.)	Cat.
<b>DTR4510</b>	Aluminum Tarp System with Mesh Tarp	4-1/2' x 10'	23	554 (Y)
<b>DTR5012</b>	Aluminum Tarp System with Mesh Tarp	5' x 12'	24.75	554 (Y)
<b>DTR5014</b>	Aluminum Tarp System with Mesh Tarp	5' x 14'	25	554 (Y)
<b>DTR5508</b>	Aluminum Tarp System with Mesh Tarp	5-1/3' x 9-1/2'	24	554 (Y)
<b>DTR5511</b>	Aluminum Tarp System with Mesh Tarp	5-1/3' x 11-1/2'	25	554 (Y)
<b>DTR5514</b>	Aluminum Tarp System with Mesh Tarp	5-1/2' x 14'	28	554 (Y)
<b>DTR6014</b>	Aluminum Tarp System with Mesh Tarp	6' x 14'	28	554 (Y)
<b>DTR6016</b>	Aluminum Tarp System with Mesh Tarp	6' x 16'	27.01	554 (Y)
<b>DTR6515</b>	Aluminum Tarp System with Mesh Tarp	6-1/2' x 15'	29	554 (Y)
<b>DTR6518</b>	Aluminum Tarp System with Mesh Tarp	6-1/2' x 18'	28.5	554 (Y)
<b>DTR7012</b>	Aluminum Tarp System with Mesh Tarp	7' x 12'	26.55	554 (Y)
<b>DTR7015</b>	Aluminum Tarp System with Mesh Tarp	7' x 15'	31.5	554 (Y)
<b>DTR7015S</b>	Aluminum Tarp System with Solid Tarp	7' x 15'	36.5	554 (Y)
<b>DTR7018</b>	Aluminum Tarp System with Mesh Tarp	7' x 18'	33	554 (Y)
<b>DTR7018S</b>	Aluminum Tarp System with Solid Tarp	7' x 18'	40.5	554 (Y)
<b>DTR7020</b>	Aluminum Tarp System with Mesh Tarp	7' x 20'	35	554 (Y)
<b>DTR7021S</b>	Aluminum Tarp System with Solid Tarp	7' x 21'	43.5	554 (Y)
<b>DTR7022</b>	Aluminum Tarp System with Mesh Tarp	7' x 22'	35	554 (Y)
<b>DTR7512</b>	Aluminum Tarp System with Mesh Tarp	7-1/2' x 12'	29.5	554 (Y)
<b>DTR7515</b>	Aluminum Tarp System with Mesh Tarp	7-1/2' x 15'	31	554 (Y)
<b>DTR7515S</b>	Aluminum Tarp System with Solid Tarp	7-1/2' x 15'	38	554 (Y)
<b>DTR7518</b>	Aluminum Tarp System with Mesh Tarp	7-1/2' x 18'	33	554 (Y)
<b>DTR7520</b>	Aluminum Tarp System with Mesh Tarp	7-1/2' x 20'	36	554 (Y)
<b>DTR7520S</b>	Aluminum Tarp System with Solid Tarp	7-1/2' x 20'	42.5	554 (Y)
<b>DTR8018</b>	Aluminum Tarp System with Mesh Tarp	8' x 18'	33	554 (Y)
<b>DTR8022</b>	Aluminum Tarp System with Mesh Tarp	8' x 22'	37	554 (Y)

Tapered Cab Shield DTR Mounting Brackets  
(optional see pg. F8)



DTB102 Tarp Tension Bow (optional)

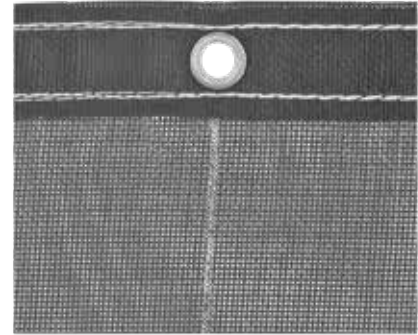


# Tarps

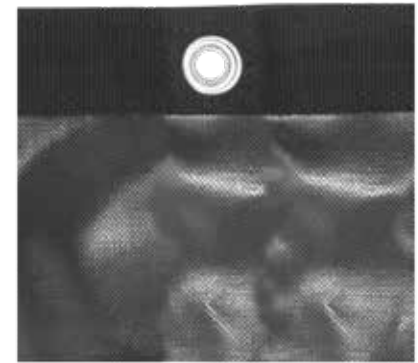
## Heavy Duty Black Tarps

- Heavy duty double stitch hem
- Full perimeter brass grommets
- All hems reinforced with 2" heavy duty nylon webbing
- HD UV resistant, PVC coated vinyl with 1,000 denier polyester mesh
- Solid vinyl 18 oz. tarp is rated up to **330°F, for asphalt**

Part No.	Description	Dimensions (W x L)	Wt. (lbs.)	Cat.
3014480	Mesh	4-1/2' x 10'	4	554-1 (Y)
3011034	Mesh	5' x 12'	5.4	554-1 (Y)
3025044	Mesh	5' x 14'	6.2	554-1 (Y)
3014677	Mesh	5-1/3' x 9-1/2'	4.5	554-1 (Y)
3014481	Mesh	5-1/3' x 11-1/2'	5.33	554-1 (Y)
3011350	Mesh	5-1/2' x 14'	7	554-1 (Y)
3009455	Mesh	6' x 14'	7.5	554-1 (Y)
3036879	Mesh	6' x 16'	8.41	554-1 (Y)
3008976	Mesh	6-1/2' x 15'	8.5	554-1 (Y)
3009094	Mesh	6-1/2' x 18'	10	554-1 (Y)
3011036	Mesh	7' x 12'	7.3	554-1 (Y)
3008210	Mesh	7' x 15'	9.15	554-1 (Y)
3009456	Mesh	7' x 18'	11	554-1 (Y)
3009457	Mesh	7' x 20'	12.54	554-1 (Y)
3022116	Mesh	7' x 22'	13.91	554-1 (Y)
3013395	Mesh	7' x 24'	14.7	554-1 (Y)
3013396	Mesh	7' x 28'	17.15	554-1 (Y)
3011035	Mesh	7-1/2' x 12'	9.48	554-1 (Y)
3008209	Mesh	7-1/2' x 15'	9.8	554-1 (Y)
3009458	Mesh	7-1/2' x 18'	11.75	554-1 (Y)
3009095	Mesh	7-1/2' x 20'	12.85	554-1 (Y)
3013397	Mesh	7-1/2' x 24'	15.42	554-1 (Y)
3013398	Mesh	7-1/2' x 28'	18	554-1 (Y)
3022117	Mesh	8' x 18'	9.48	554-1 (Y)
3009892	Mesh	8' x 22'	15	554-1 (Y)
3016005	Mesh Roll-Off Container Tarp, Manual	12' x 24'	24.25	554-1 (Y)
3016006	Mesh Roll-Off Container Tarp, Manual	12' x 26'	26.25	554-1 (Y)
3011352	Solid, Asphalt	7' x 15'	13	554-1 (Y)
3011351	Solid, Asphalt	7' x 18'	15	554-1 (Y)
3016004	Solid, Asphalt	7' x 21'	22.37	554-1 (Y)
3011353	Solid, Asphalt	7-1/2' x 15'	16.05	554-1 (Y)
3011354	Solid, Asphalt	7-1/2' x 20'	17	554-1 (Y)



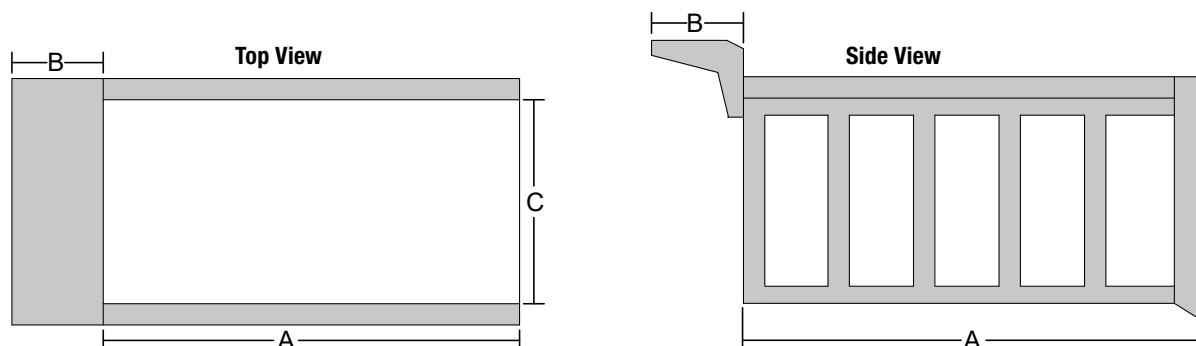
Mesh, 12 oz.



Solid Vinyl, 18 oz.  
Asphalt rated to 330°F

## Selecting the Right Tarp Size

Tarp length should typically be 2' to 3' longer than A & B combined. Tarp width should typically be no wider than C, provided it still covers the inside body width. Exceeding the dump body width can cause tarp to tangle when rolling up.



## Rope Assembly



- 3/8" x 20' poly rope
- 3-5/16" snap hook
- Used on all manual DTR and Pull-Style tarp systems

Part No.	Description	Wt. (lbs.)	Cat.
3008225	20' Rope Assembly	0.65	520 (N)

## Bearings



3012784

- 3/4" dia. flange bearing
- 3-1/4" bolt centers



1411000

- 1" dia. flange bearing
- 3" bolt centers

Part No.	Description	Wt. (lbs.)	Cat.
3012784	Stamped Flange Bearing, 3/4" Dia.	0.46	554-3 (N)
1411000	Cast Flange Bearing, 1" Dia.	0.86	554-3 (N)

## Square Gudgeon



- 1-1/2" Cast steel tarp gudgeon
- Fits 2" pipe
- 3/4" Square key replacement
- Interchanges with Shur-Co 1105033\*

Part No.	Description	Wt. (lbs.)	Cat.
3027070	Square Gudgeon	0.64	554-3 (N)

## Tarp Joints



3001894

- Used with ground control tarp rollers
- Zinc Plated

Part No.	Description	Wt. (lbs.)	Cat.
3001894	Roll Tarp Joint, 1-1/4" R, 3/8" PH x 1-3/8" 21	4.64	520 (N)
3001895	Male 21 Spline x 1-13/16" Male Stub Shaft	1.54	520 (N)
3012784	3/4" Flange Bearing with 3-1/4" Bolt Centers	0.46	554-3 (N)

## Tarp Cranks



3035381



3020293

Part No.	Description	Wt. (lbs.)	Cat.
3035381*	Ground Level Crank	30.1	554 (N)
3020293**	Tarp Crank with Friction Brake	6.44	554-3 (N)

\*Used with DTG ground control systems

\*\*Used with 5543000 and 5543006 systems

Comparable to Donovan 441 and Shur-Co 1800088

# Manual Dump Tarp System Parts

## Binding Hooks



- Weld-on
- 1/2" Round cross section
- 5" Length
- 11/32" Mounting holes (B2448C)



- 3/8" Round cross section
- 3-1/4" Length
- 9/13" Mounting holes

Part No.	Description	Wt. (lbs.)	Cat.
B2448	Plain Finish Binding Hook	0.29	700 (N)
B2448C	Zinc Plated Binding Hook	0.29	700 (N)
B2447NHP	Weld-On Tarp Hook (No Holes)	0.14	700 (N)
B2447BZ	Zinc Plated Tarp Hook	0.13	700 (N)
B2447WAL	Weld-On Alum. Tarp Hook (No Holes)	0.15	700 (N)

## Rope Clip

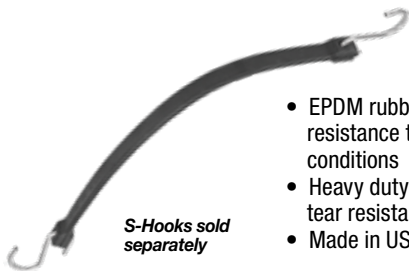


- Die-cast zinc



Part No.	Description	Wt. (lbs.)	Cat.
B450	Zinc Cast Rope Clip	0.11	700 (N)

## Rubber Tarp Straps



S-Hooks sold separately

- EPDM rubber provides outstanding resistance to extreme weather conditions
- Heavy duty square ends for strength/tear resistance
- Made in USA



- Sold separately from tarp straps
- 0.180" diameter
- Zinc plated

Part No.	Description	Wt. (lbs.)	Cat.
TS9	9" Rubber Tarp Strap (100/carton)	0.11	350 (Y)
TS15	15" Rubber Tarp Strap (100/carton)	0.12	350 (Y)
TS20	20" Rubber Tarp Strap (100/carton)	0.15	350 (Y)
TS31	31" Rubber Tarp Strap (50/carton)	0.25	350 (Y)
TS41	41" Rubber Tarp Strap (50/carton)	0.30	350 (Y)
9225	2.5" S-Hook (100/carton)	4	360 (N)