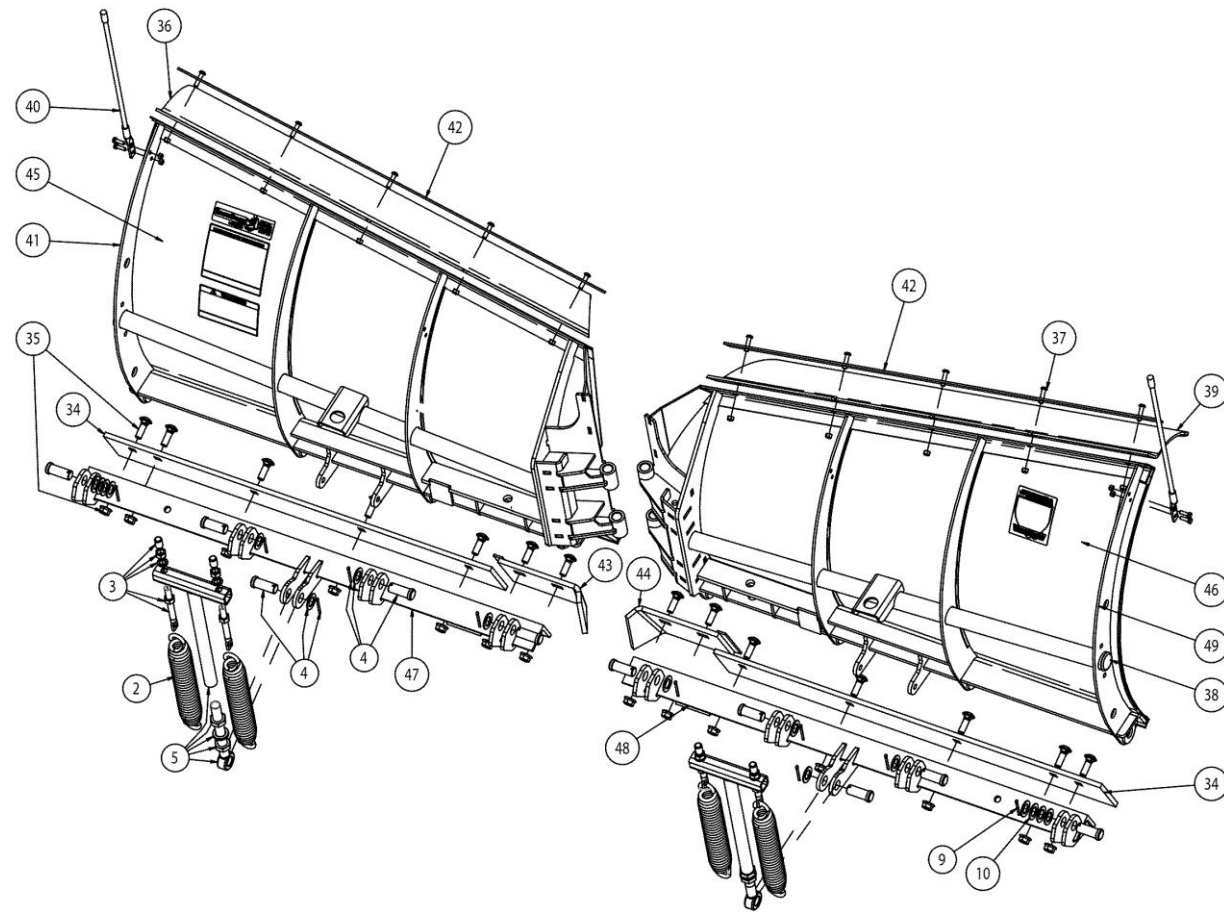


Ref	Part No.	Description	Qty	Ref	Part No.	Description	Qty
	16013002	VXF2 Lift Frame		76	1615326	Vent	1
ACC	16150010	Hydraulic Fluid, Low Temp, 1 CASE (12 QTS)		77	16152330	Check Valve	4
1	16101170	Hinge Pin Kit, VXF/VMD	1	79	16152332	Plug, 1/4 BSPP	1
5	16111124	Snapper Pin, 2-1/2in	2	80	16160510	Grill Connector Plug	1
7	16113260	Hinge Cover Kit, VXF	1	80	16160250	Plowside Light Harness, G2	1
8	16102100	Clevis Pin Kit, 1 x 4	2	80	16160112	Repair End, 8 Pin, 16160100	2
9	16111158	Panel Clip Kit (x5)	5	81	16160116	Relay Module Mounting Plate	1
11	16102122	Clevis Pin Kit, 7/8 x 4	4	82	16160104	Grill to Relay Harness	1
12	16102142	Clevis Pin Kit, 7/8 x 3-1/4	2	82	16160405	Small Spring Cage (set of 20)	1
13	16113210	Angle Stop Kit	2	83	16160114	Headlight Module Relay	6
14	16103000	Chain, 5/16 Grade 43, 24 Links	1	84	16160511	Harness Cap/Retainer	1
15	16103020	U-bolt Kit	2	85	16160513	Harness Plug/Retainer	1
16	16110102	Lower Lift Frame Assembly, G2	1	86	16160310	Repair End, 16160300	1
16	16111614	Lower Lift Frame Weldment, G2	1	86	16160302	Truckside Control Harness, G2	1
17	16111012	Lock Pin	2	87	16161400	Plow Harness	1
18	16111104	Mount Spring	2	87	16160405	Small Spring Cage (set of 20)	1
19	16111118	Roll Pin, 1/4 x 2	1	87	16160402	Large Spring Cage Kit (2)	1
20	16111126	Clevis Pin Kit, 1/4 x 1-1/2	1	88	16160410	Motor Relay	1
21	16111146	Clevis Pin Kit, Pedal Linkage	1	89	16160500	Battery Cable	1
22	16111113	Foot Pedal, Cast	1	93	16160120	Ground Harness, 16161400B	1
23	16111119	Pedal Linkage, G2	1	94	16161430	S8 Harness, 16161400B	1
24	16113202	A-Frame, VXF2	1	95	16160448	Relay Module	1
25	16111116	Washer, 1-3/8	2	97	16160734	Light Harness, Internal	2
26	16111330	Prop Stand, DS	1	97	16160744	Park/Turn Bulb, Amber	2
27	16111340	Prop Stand, PS	1	97	16160742	Low Beam Bulb, H7	2
28	16111162	Float Plate Kit (x4)	1	97	16160740	High Beam Bulb, H1	2
30	16111408	Chain Lift, G2	1	97	16160712	DS Light Housing	1
31	16111634	Light Bar	2	97	16160730	Light Hardware Kit (1 light)	2
32	16111636	Logo Plate w/Hdw	2	97	16160720	PS Light Assy	1
33	16101106	Light Bar Hardware Kit	2	97	16160710	DS Light Assy	1
50	16152040	Top Block Assembly, VMD/VXF	1	97	16160700	Light Kit (pair)	1
50	16152042	Top Block, No Valves, VMD/VXF	1	97	16160732	Light Housing Gasket	2
50	16152000	HPU, HV700	1	97	16160722	PS Light Housing	1
50	16152104	Top Block O-ring/Fastener Kit	1	98	16161601	Controller, G2 V Plow	1
51	16151100	Gear Pump	1	98	16160622	Mount Kit, 1616*601	1
51	16159116	Shaft Seal	1	98	16161632	Keypad, 16161601	1
52	16151102	Inlet Strainer w/Elbow	1	98	16161642	Circuit Board, 16161601	1
53	16152004	Spline Coupler	1	98	16160652	Harness, 1616*601	1
54	16151110	Reservoir Kit	1	99	16153120	Hose, 3/8 x 48, -6 JIC	2
54	16151114	Reservoir Fastener Kit (4 Cap Screws; 8 Flat Washers)	1	103	16111132	Screw Kit, Pedal Pivot	2
54	16159114	Reservoir Seal Kit	1	180	16152334	Angle Relief Valve, 3000 PSI	4
55	16151116	Relief Plug	1	183	16159102	Seal Kit, 16151312/16151330	8
55	16151112	Plug, 3/8 NPT	1	183	16159103	Screen, 16151312	8
56	16151200	Motor, 2HP	1	183	16151312	Solenoid Valve, 2-way, Normally Closed	8
58	16151302	Main Relief Valve	1	184	16151330	Solenoid Valve, 2-way, Normally Open	2
61	16151308	Lift Check Valve	1	184	16159102	Seal Kit, 16151312/16151330	2
61	16900010	Lift Check Removal Tool		185	16152336	Coil, 8 size, Flying Leads	10
62	16151310	Lowering Speed Valve	1	186	16152340	Solenoid Valve, 2-way, Normally Closed Bidirectional	1
67a	16151325	Connector, -4 SAEM/JICM	1	186	16159109	Seal Kit, 16152340	1
70a	16152138	Enclosure, HPU DS	1	187	16152342	Coil, 10 size, Dual Spade	1
70b	16152140	Enclosure, HPU PS	1	190	16152346	Elbow, -6 SAEM/JICM	4
71a	16152132	Rear Panel, HPU DS	1				
71b	16152134	Rear Panel, HPU PS Vee	1				
72	16153100	Hose, 1/4 x 18, -4 JIC	1				
73	16153110	Hose, 3/8 x 38, -6 JIC	2				
74	16154302	Seal Kit, 16154300	2				
74	16154300	Cylinder, 1-1/2 x 1-3/4 x 12	2				
75	16154206	Cylinder Gland Nut, 2in Polypak	1				
75	16154200	Cylinder, 2 x 6 Polypak	1				



Ref	Part No.	Description	Qty	Ref	Part No.	Description	Qty
	16020734	VXF95-2 Moldboard					
	16020724	VXF85-2 Moldboard					
ACC	16021712	Wing Kit, VXF					
ACC	16021750	Shoe Kit, VX/VMD	1				
ACC	16120180	Deflector Kit, VXF, Rubber w/Center Cover					
ACC	16121700	Shoe Assy Only	2				
ACC	16121704	Shoe Bracket	2				
N/S	16111120	Snapper Pin					
N/S	16111310	Jack, Side Wind	1				
2	16101200	Trip Spring	4				
3	16101210	Spring Mount Eye Bolt Kit (x4)	1				
4	16102144	Clevis Pin Kit, 1 x 2-3/8	10				
5	16120190	Trip Spring T-Bar Kit	2				
9	16102102	Cotter Pin, 3/16 x 2					
10	16102104	Washer, 1in					
34	16120820	Cutting Edge, 40 x 1/2, VX/VXF85	2				
34	16120830	Cutting Edge, 46 x 1/2, VX/VXF95	2				
35	16120114	Cutting Edge Hdw Kit, 5/8-11, 14 pcs	1				
37	16120110	Moldboard Skin Hardware Kit	1				
38	16120120	Crosstube Cap	2				
39	16120172	Deflector, PS, VXF85, Poly	1				
39	16120170	Deflector, DS, VXF85, Poly	1				
39	16120173	Deflector, VXF95, Rubber	2				
39	16120176	Deflector, DS, VXF95, Poly	1				
39	16120178	Deflector, PS, VXF95, Poly	1				
39	16120171	Deflector, VXF85, Rubber	2				
40	16122100	Blade Guide Kit	1				
41	16122201	Moldboard Frame, DS, VXF85	1				
41	16122203	Moldboard Frame, DS, VXF95	1				
42	16120270	Clamp Strip, VXF85	2				
42	16120272	Clamp Strip, VXF95	2				
43	16120840	Center Cutting Edge, DS	1				
44	16120850	Center Cutting Edge, PS	1				
45	16121731	Skin, DS, VXF95, SST	1				
45	16121721	Skin, DS, VXF85, SST	1				
46	16121723	Skin, PS, VXF85, SST	1				
46	16121733	Skin, PS, VXF95, SST	1				
47	16122230	Trip Angle, DS, VXF85	1				
47	16122240	Trip Angle, DS, VXF95	1				
48	16122232	Trip Angle, PS, VXF85	1				
48	16122242	Trip Angle, PS, VXF95	1				
49	16122213	Moldboard Frame, PS, VXF95	1				
49	16122211	Moldboard Frame, PS, VXF85	1				