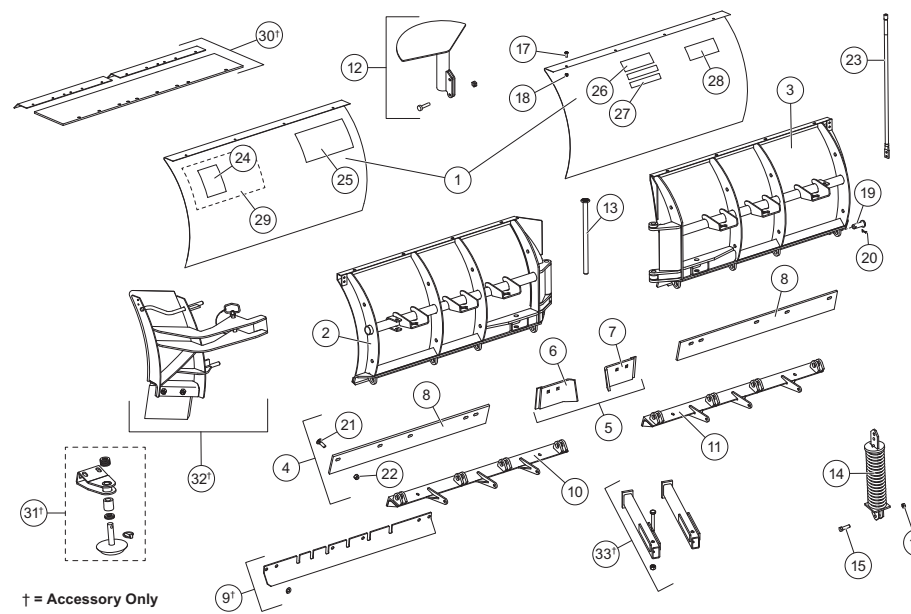


BLADE COMPONENTS

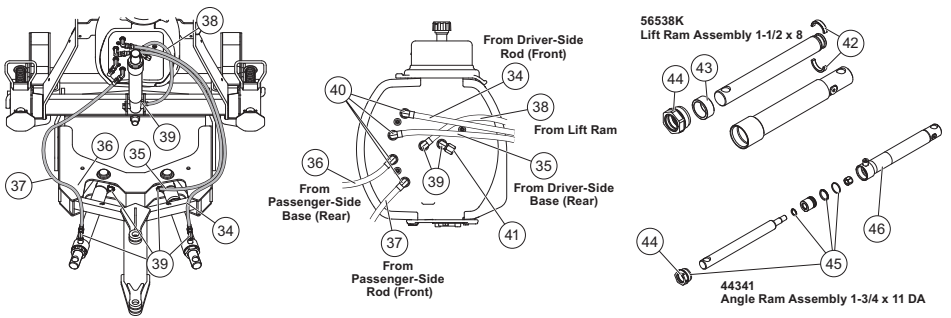


MVP PLUS™ Blades 44475-1/44485-1/44495-1/44575-1/44585-1/44595-1						
Item	Description	7' 6"		8' 6"		9' 6"
		Mild Steel	Poly	Mild Steel	Poly	Mild Steel
1	Moldboard Kit w/Fasteners & Labels	44715	44718	44716	44719	44720
2	Frame, Base Angle & Spring Assy – DS	44730		44731		44732
3	Frame, Base Angle & Spring Assy – PS	44733		44734		44735
4	Cutting Edge Kit (3/8")	44561-2		44564-2		n/a
ns	Cutting Edge Kit (1/2")	44284-2†		44285-2†		44567-2
5	Center Cutting Edge Kit	44894-1		44891-1		
6	Center Cutting Edge Kit – DS	44890-1		44890-1		
7	Center Cutting Edge Kit – PS	44890-1		44890-1		
8	Cutting Edge (3/8")	44896-1		44897		n/a
ns	Cutting Edge (1/2")	44996-1†		44997†		44898
9†	Back Drag Edge Kit	44281-3†		44282-3†		44283-3†
10	Base Angle – DS	44142		44144		44146
11	Base Angle – PS	44143		44145		44147
12	Center Snow Control Kit		44570			44571

Blade Pins, Fasteners, Labels & Springs					
Item	Part	Description	Item	Part	Description
13	44028	Main Pivot Pin	23	62595	Poly Blade Guide Kit
14	21452	Removable Spring Assembly	24	59900	Label – Warning/Caution, Snowplows
15	91000	7/16-14 x 1/2 x 1-5/8 Shoulder Bolt	25	43360	Label – UltraMount® 2 Attach/Detach
16	90353	7/16-14 Hex Locknut GB	26	44453	Label – Identity, MVP PLUS
17	98043	3/8-16 x 1 Button Cap Screw	27	28404	Label – ULTRAFINISH™ (MS moldboard only)
18	91333	3/8-16 Hex Locknut GB	28	44451	Label – Identity, WESTERN® 8.31
19	27227	1 x 2-3/4 Clevis Pin	29	40986	Label – CONTRACTOR GRADE®
20	90601	1/4 x 1-1/2 Cotter Pin	ns	44790	Bolt Bag – Rubber Deflector, V
21	5572	5/8-11 x 2 Carriage Bolt G5	ns	44763	Bolt Bag – Cutting Edge Kits (1 side, 5 sets of fasteners)
22	91337	5/8-11 Hex Locknut GB	ns	43361	Label Kit – UltraMount 2 Blade (incl. Items 24–29)

ns = not shown G = Grade † = Accessory Only

RAMS, HOSES & FITTINGS



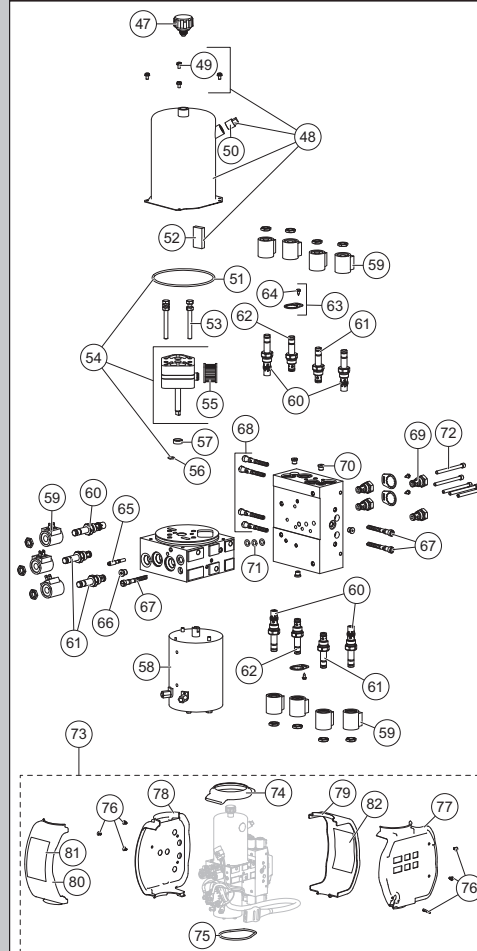
Item	Part	Description	Item	Part	Description
34	56616-1	Hose, 1/4 x 42 w/F JIC Ends	42	64650	Split Bearing Kit 1-1/2"
35	44350	Hose, 3/8 x 45 w/F JIC Ends	43	56537	Spacer
36	44351	Hose, 3/8 x 38 w/F JIC Ends	44	48985	Gland Nut Assembly
37	56599	Hose, 1/4 x 36 w/F JIC Ends	45	44342	Seal Kit 1-3/4 DA Ram
38	56830	Hose, 1/4 x 22 w/F JIC Ends	46	68675	Label – UltraLock Double-Acting Cylinder
39*	56615-1	Elbow, 90° – 6 M JIC / – 6 M ORB	ns	56823	Hose Wrap, Polyethylene
40	64212-1	Elbow, Extra Long 90° – 6 M JIC / – 6 M ORB	ns	98043	3/8-16 x 1 Button Cap Screw
41	44346	Drain Cap, – 6 F JIC			* Also used for central hydraulics.

ns = not shown F = Female M = Male



INTERACTIVE PARTS LIST AVAILABLE AT WWW.WESTERNPLOW.COM
Full parts list PDF (Lit. No. 94112) also available on website.

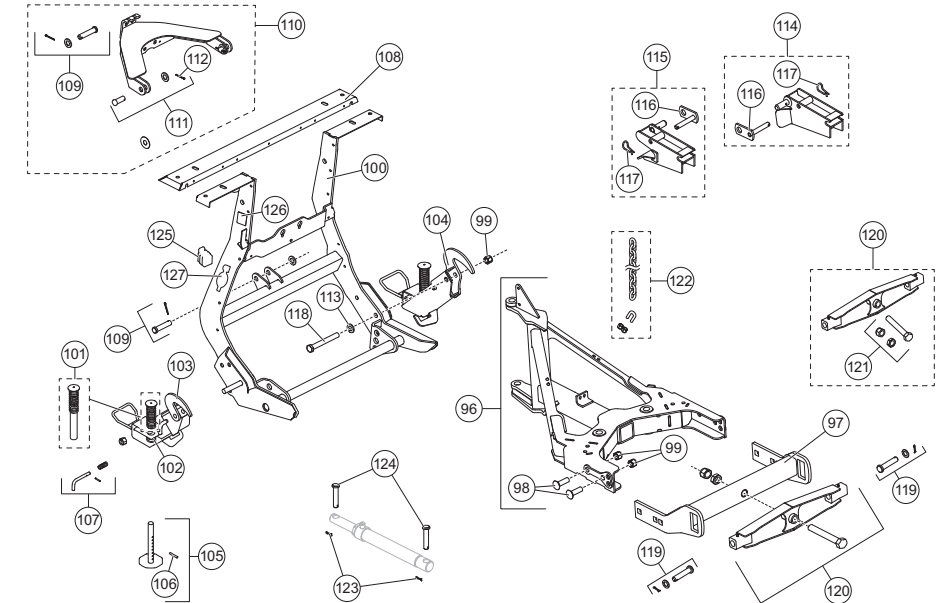
HYDRAULIC UNIT



Hydraulic Unit 44320 Hydraulic Unit Service Kit 48257*		
Item	Part	Description
47	21727-2K	Breather Pressure Control
48	44327-2	Reservoir Kit
49	66607	10-24 x 5/16 Machine Screw
50	92079	Plug, Square 3/8 NPTF
51	66519	O-Ring -2-250
52	73897	Magnet
53	90080	5/16-18 x 2-1/2 Hex Cap Screw G5
54	44328-1	Pump Kit
55	56789-4	Suction Filter
56	56274	O-Ring -013
57	66515	Pump Shaft Seal
58	21500-1	Motor Assembly, 4-1/2"
59	49230K-2	Coil w/Spade Terminals
60	44332	Valve SVCV08-20 w/Nut
61	49227K-2	Valve SV08-2004 w/Nut
62	44336	Valve SF08-2015 w/Nut
63	44369	Valve Lock Ring w/Screw
64	63943	8-18 x 3/8 Tapping Screw
65	48517	Quill Assembly 1/2-20 Thread
66	44344	Plug, Hex Socket – 4 M ORB
67	49138K-4	Relief Valve Kit (2 sets)
68	44338	Relief Valve Kit (2 sets)
69	44334-1	Check Valve CV08-20
70	92960	Plug, Hex Socket – 3 M ORB
71	29077	O-Ring -110
72	29081	1/4-20 x 3 Socket Cap Screw
73	44325	Cover Assembly
74	44352	Top Retainer Ring
75	44366	Bottom Retainer Ring
76	44326	1/4-20 x 1/2 6-Lobe Washer-Head Screw (pkg of 5) w/8" Cable Tie
78	-	Cover, Side 1
79	-	Cover, Side 2
79	44303	Cover, Side 3
80	44304	Cover, Side 4
81	44310	Label – Information (S1–S3)
82	44319	Label – Information (S4–S11)
ns	61536	Cable Tie – 14"
ns	44414	Label – Identity, MVP PLUS

ns = not shown G = Grade

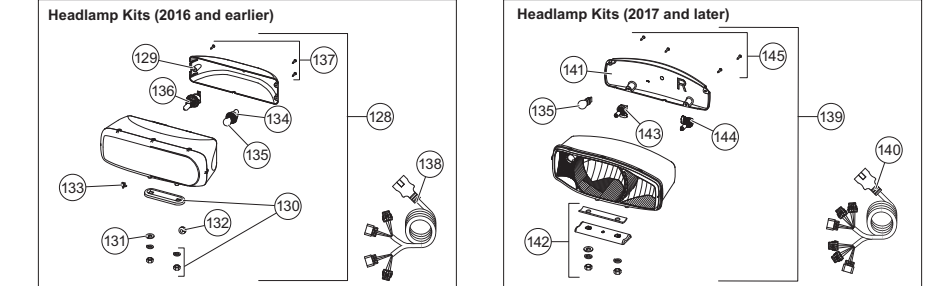
LIFT FRAME & T-FRAME



Item	Part	Description	Item	Part	Description
96	44546-2*	T-Frame Service Kit	112	91911K	5/32 x 1-1/2 Cotter Pin Kit (pkg of 4)
97	44557-2	Pushbeam	113	91147	3/4 Flat Washer
98	63913	3/4-10 x 2-1/2 Carriage Bolt G5*	114	42496	Receiver Kit – DS
ns	90459	3/4-10 x 2-1/2 Hex Cap Screw G5*	115	42497	Receiver Kit – PS
99	91338	3/4-10 Hex Locknut GB	116	42498	Receiver Pin
100	43301	Lift Frame	117	91965K-1	5/32 Hairpin Cotter
101	48523	Plunger w/Spring	118	66451	3/4-10 x 6 Hex Cap Screw G5
102	67845	Stand Assembly – DS	119	49645	1 x 4-3/4 Clevis Pin Kit
103	67636	Stand Lock Spring	120	67842-1	Pivot Bar Kit
104	67846	Stand Assembly – PS	121	67855	Pivot Bolt Kit
105	67847	Stand Shoe Kit	122	49033	1/4 Grade 43 Chain Assembly
106	67635	1/4 x 2 Roll Pin BP	123	90601	1/4 x 1-1/2 Cotter Pin
107	67844	Stand Lock Pin Kit	124	22260	1 x 4-3/4 Clevis Pin
108	43302	Light Channel	125	61246	Cable Boot
109	68740	3/4 x 3-1/2 Clevis Pin Kit	126	69689	Label – SECURITY GUARD™
110	43304	Lift Arm Kit	127	43358	Label – Identity, UltraMount 2
111	43351	3/4 x 2 Pin Kit			

* 3/4-10 x 2-1/2 Hex Cap Screws (PN 90459) are required when pairing T-frame (PN 44546-2) with a pushbeam that has round holes instead of square holes.
ns = not shown G = Grade

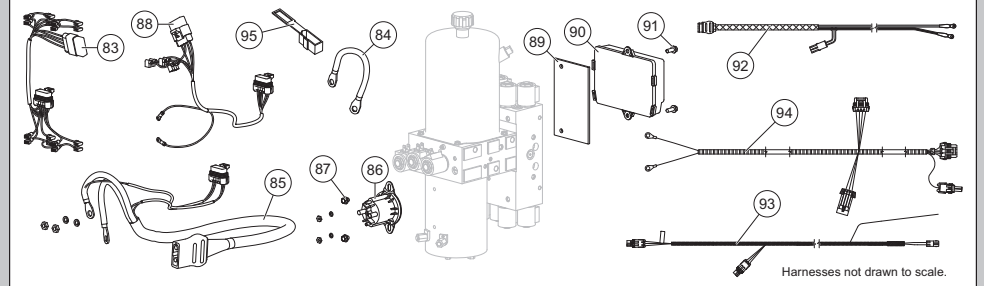
HEADLAMPS



Item	Part	Description	Item	Part	Description
128	28801-1	Headlamp Service Kit H13 – DS	138	28213W	Harness Service Kit H13
ns	28802-1	Headlamp Service Kit H13 – PS	139	38802	Headlamp Service Kit H9/H11 – PS
129	28803-1	Rear Cover Kit (fits 2- or 3-screw)	ns	38801	Headlamp Service Kit H9/H11 – DS
130	28804	Mounting Hardware Kit	140	38807	Harness Service Kit H9/H11
131	91105	1/2" Flat Washer	141	38803	Rear Cover Kit H9/H11 PS
132	66130	Rubber Grommet	ns	38812	Rear Cover Kit H9/H11 DS
133	56595	Cable Tie Anchor	142	38804	Mounting Hardware Kit H9/H11
134	28805	Park/Turn Socket Service Kit	143	38811	H11 Headlamp Bulb Service Kit
135	-	Park/Turn Bulb (Trade No. 4157NAK)	144	38809	H9 Headlamp Bulb Service Kit
136	28806	H13 Headlamp Bulb Service Kit	145	38808	Cover Screws Service Kit H9/H11 (pkg of 4)
137	28808-1	Cover Screws Service Kit (pkg of 3)			

ns = not shown

ELECTRICAL COMPONENTS



Item	Part	Description	Item	Part	Description
83	28583	Harness Plow Control 8-Solenoid	90	44354-3	Plow Module
84	29071	Cable Assembly 8"	91	44355	1/4-20 x 5/8 Hex Washer-Head Thread-Rolling Screw
85	42015	Snowplow Battery Cable	92	28587	Vehicle Control Harness
86	42902	Motor Relay Kit FLEET FLEX System	93	42014	Vehicle Battery Cable
87	29099	1/4-20 x 1/4 Hex Washer-Head Thread-Rolling Screw	94	26498	Vehicle Control Harness – Central Hydraulics
88	28581-1	Harness Plow Control 3-Solenoid	95	61548K	Plug Cover Kit
89	44308	Module Spacer	ns	56099	Dielectric Grease

ns = not shown