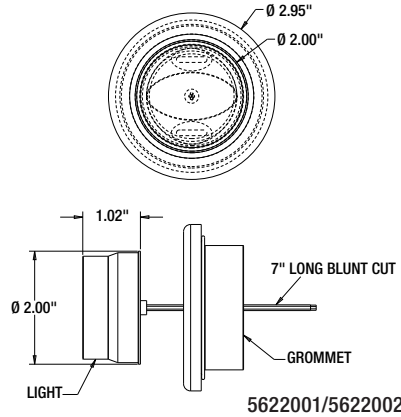


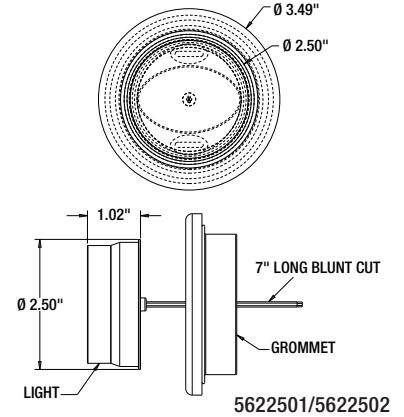


5622501 Red Marker Shown

5622501 Amber Strobe Shown



5622001/5622002



5622501/5622502

All dimensions shown are nominal.



5622501 - Red Marker/Amber Strobe



5622502 - Amber Marker/Amber Strobe



5622001 - Red Marker/Amber Strobe



5622002 - Amber Marker/Amber Strobe

## 2" & 2.5" ROUND RECESSED Combination Marker/Strobe Lights

- Offers both marker & strobe functions in one light.
- The 2 in. lights feature 14 LEDs, while the 2-1/2 in. lights feature 16 LEDs.
- 0.72A @ 12V (2"), 0.78A @ 12V (2-1/2")
- SAE Class 1 Rated
- IP67 for water resistance
- 4 flash patterns
- Grommet included
- Great for use in construction, freight, municipal and utility fleets.
- Available in Amber Marker with Amber Strobe or Red Marker with Amber Strobe configuration.

PART NO.	DESCRIPTION	PROD. CAT.	WT. (LBS.)
5622001	2" Marker/Strobe Combo, Red w/Class 1 Amber Strobe	562-1	1.19
5622002	2" Marker/Strobe Combo, Amber w/Class 1 Amber Strobe	562-1	1.19
5622501	2.5" Marker/Strobe Combo, Red w/Class 1 Amber Strobe	562-1	1.39
5622502	2.5" Marker/Strobe Combo, Amber w/Class 1 Amber Strobe	562-1	1.39

\* **NEW** PRODUCTS



P: 402-558-5300  
F: 402-558-7946

www.badgerbody.com



060324